


ACCSH200

Single AV Wall Shelf with Glass for AV Components

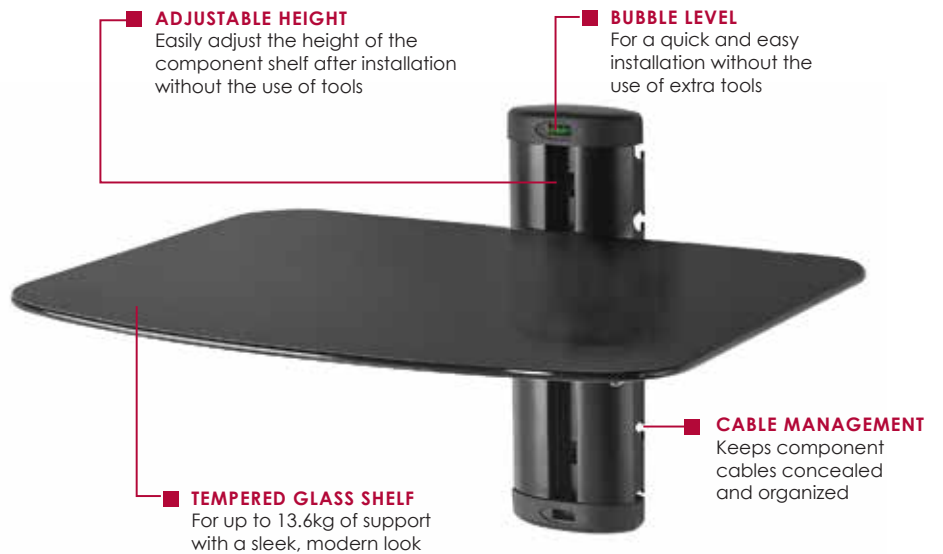
People gravitate toward flat panel displays for their aesthetics but once mounted the question of where to place the audio visual components becomes troubling. This AV Wall Shelf provides an elegant solution. The modern, sleek glass shelving blends in with the décor of a room enhancing the image so carefully cultivated by the consumer. Its ability to organize and center AV components directly above or below the display transforms any room by creating a trendy ambiance.



 LB (KG) Max load: 13.6kg (30lb)

FEATURES

- Strong, tempered glass shelf can be vertically adjusted to accommodate AV components of any height
- Cable management system helps keep cables concealed and organized
- Supports up to 13.6kg (30lbs)
- Bubble level makes for a quick and easy installation



Side View

RoHS
RECYCLED

ACCSH200 Single AV Wall Shelf with Glass for AV Components

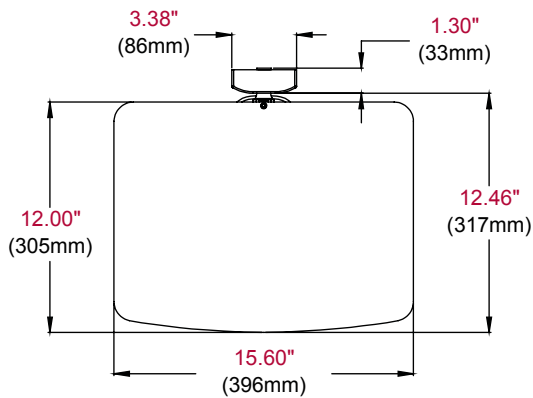
Product Specifications

	DIMENSIONS (W x H x D)	PRODUCT WEIGHT	LOAD CAPACITY	FINISH	AVAILABLE COLORS
ACCSH200	15.6" x 13.41" x 13.76" (396 x 341 x 350mm)	2kg (4.5lb)	13.6kg (30lb)	Powder coat	Gloss Black

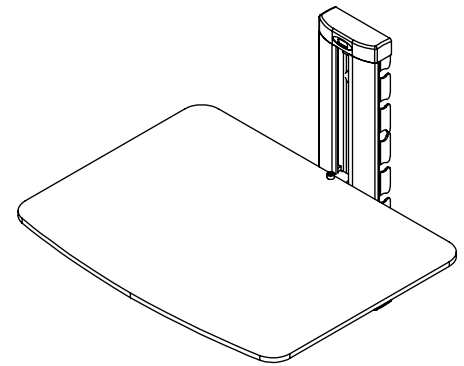
Package Specifications

	PACKAGE SIZE (W x H x D)	PACKAGE SHIP WEIGHT	PACKAGE UPC CODE	PACKAGE CONTENTS	UNITS IN PACKAGE
ACCSH200	13.25" x 2.625" x 17.125" (337 x 67 x 435mm)	2.56kg (5.65lb)	735029277385	AV Wall Shelf with Glass, Instructions, Installation hardware	1

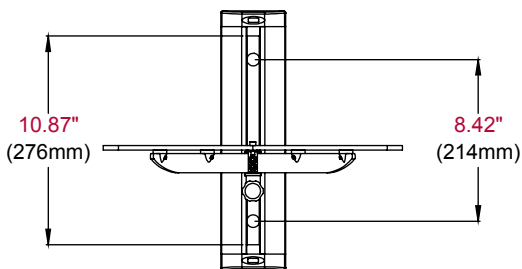
All dimensions = inch (mm)



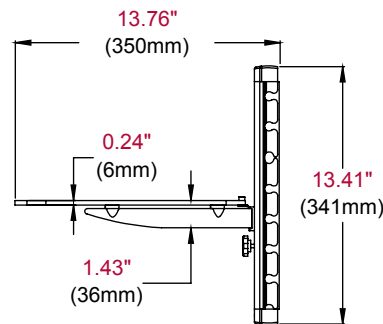
TOP VIEW



ISOMETRIC VIEW



FRONT VIEW



SIDE VIEW

ARCHITECTS SPECIFICATIONS

The Peerless-AV Single AV Wall Shelf with Glass shall be model ACCSH200. Assembly and installation shall be done according to instructions provided by the manufacturer.