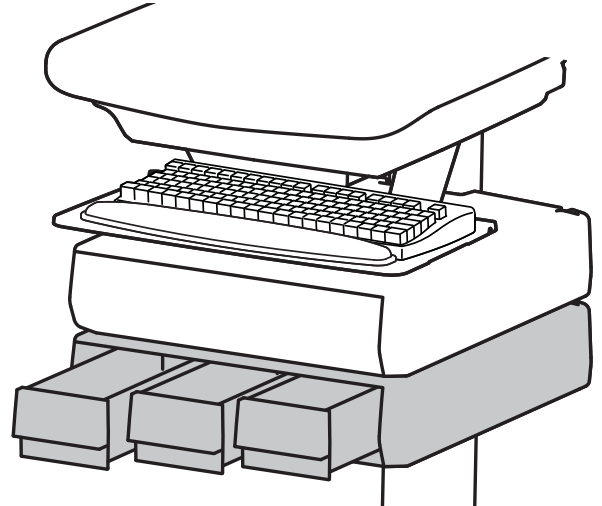
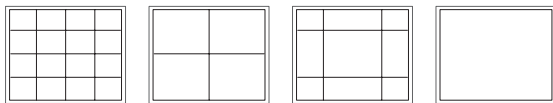
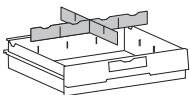
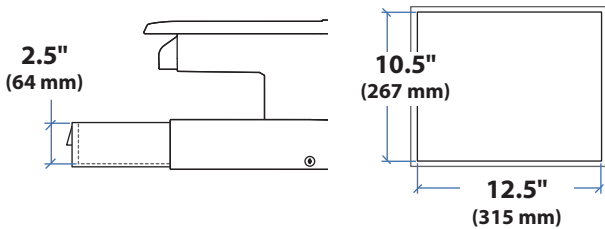


or



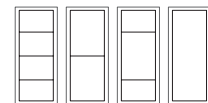
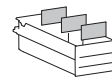
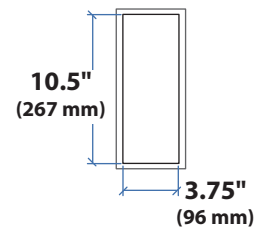
≤ 2 lbs (1 kg)

Total weight capacity per drawer.



≤ 0.25 lbs (0.1 kg)

Total weight capacity per drawer.



For the latest User Installation Guide please visit: www.ergotron.com



User's Guide - English
 Guía del usuario - Español
 Manuel de l'utilisateur - Français
 Gebruikersgids - Deutsch
 Benutzerhandbuch - Nederlands
 Guida per l'utente - Italiano
 Användarhandbok - svenska
 ユーザーガイド : 日本語
 用户指南 : 汉语

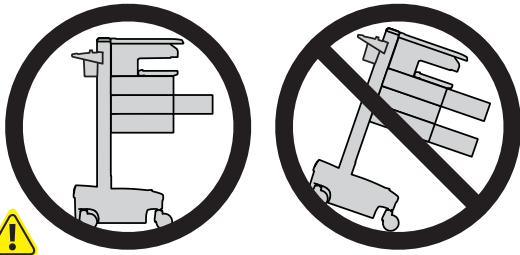


www.ergotron.com

USA 1-800-888-8458

Europe +31 (0)33-45 45 600

China 86-769-86018920



CAUTION:

Close worksurface before opening drawers.
 Open only one drawer at a time.
 Do Not push cart when drawers or worksurface are open.
 When adding more than 3 drawer rows to a LiFe cart, max loading is:
 LCD: 11 lbs (5 kg)
 CPU: 10 lbs (4.5 kg)
 Keyboard/mouse: 2 lbs (0.9 kg)
 Worksurface: 0 lbs (0 kg)
 Drawer contents: 2 lbs (0.9 kg) max per drawer row
 Failure to follow these instructions may cause the cart to be unstable.

WARNING

IMPACT HAZARD!
 MOVING PARTS CAN CRUSH AND CUT.

Minimize Lift Tension BEFORE:

- Removing Mounted Equipment.
- Shipping Cart
- Storing Cart

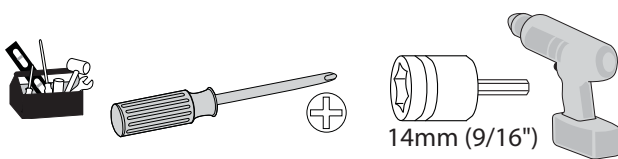
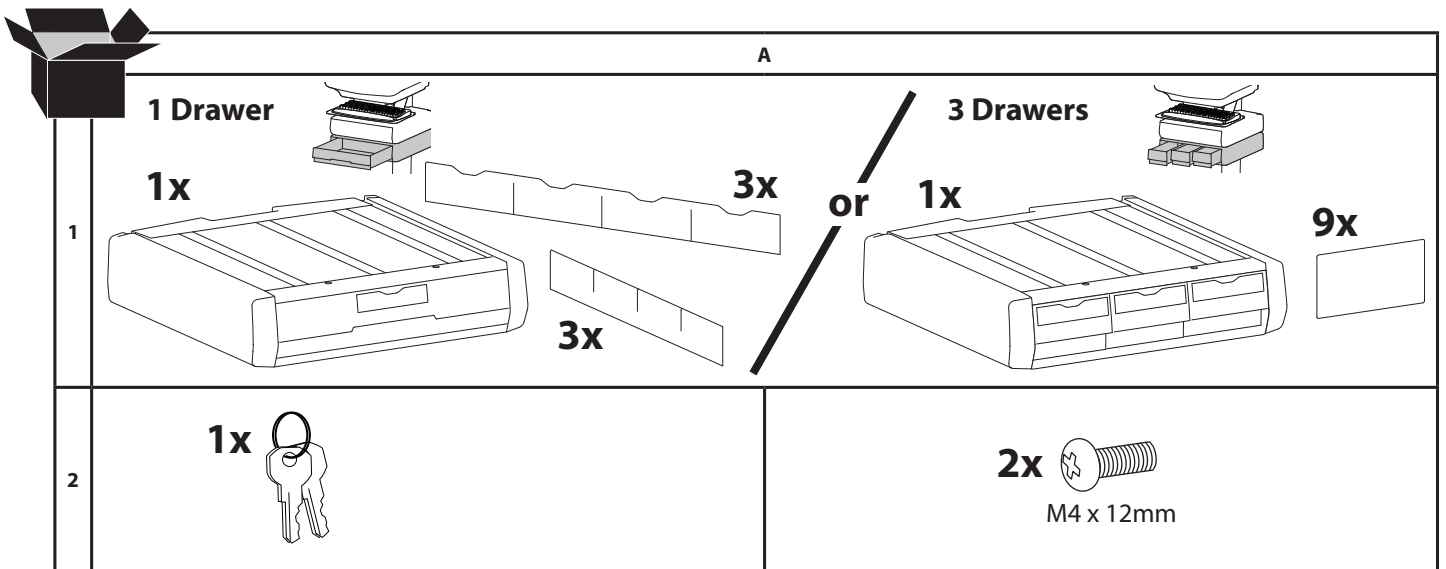
To Minimize Lift Tension

1. Lower worksurface to lowest position.
2. Turn adjustment nut at top of riser counterclockwise until it stops (Adjustment may require 40-60 revolutions).

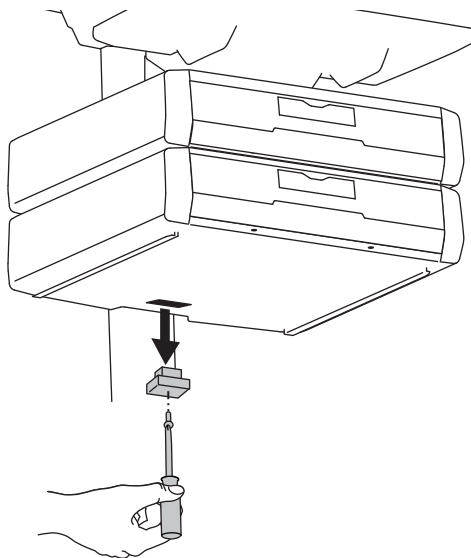
Failure to heed this warning may result in serious personal injury or property damage!

For More information and instructions refer to product guide at <http://4support.ergotron.com> or contact Ergotron Customer Care at 1-800-888-8458.

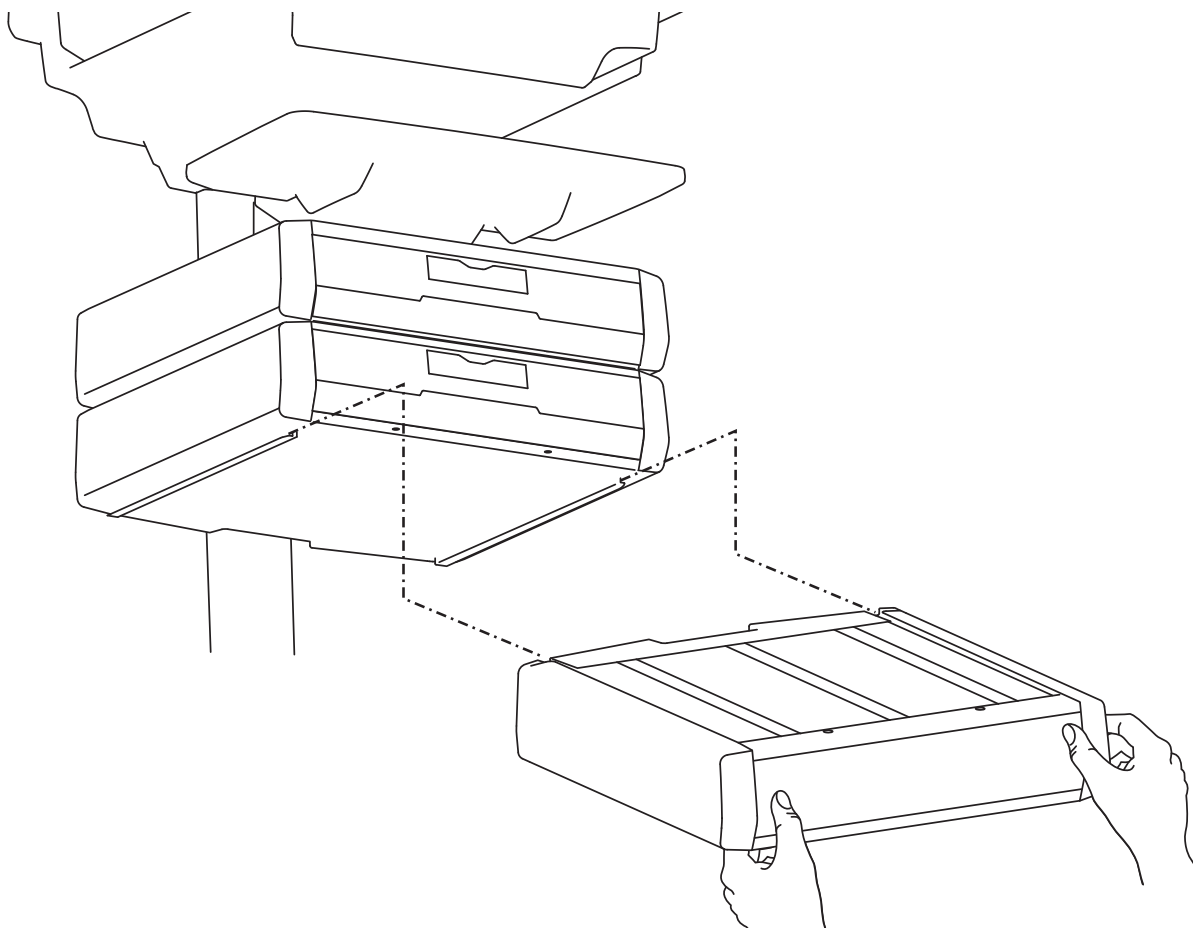
822-052



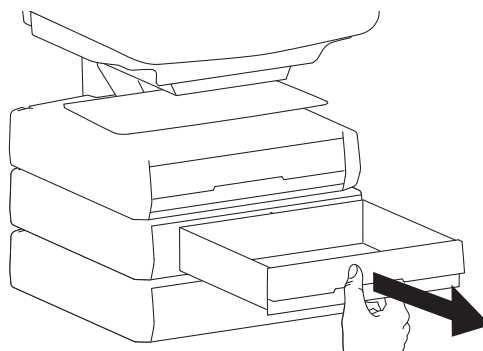
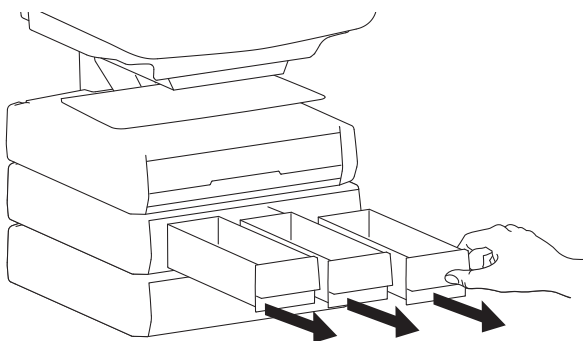
-
- 1 a** Remove the cover in the jack on the bottom of the lowest drawer.



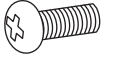
- b** Slide the drawer onto the bottom tracks of the last drawer.

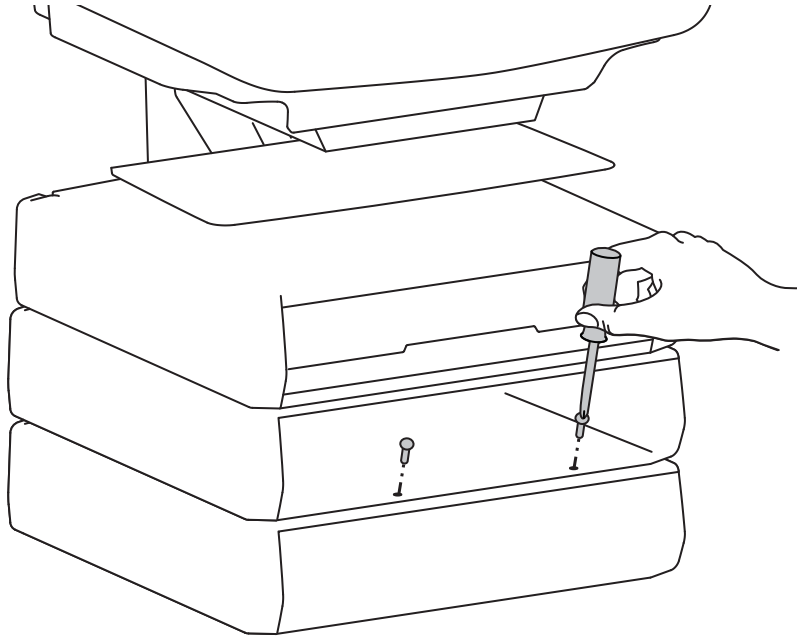


-
- 2** Remove the top drawer(s).

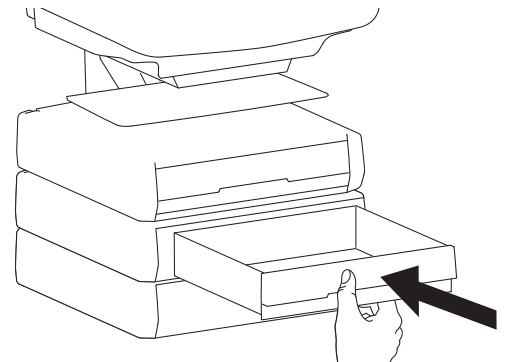
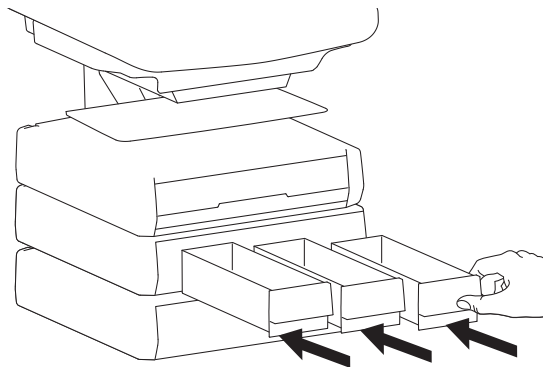


3 Secure the bottom drawer by attaching the two screws.

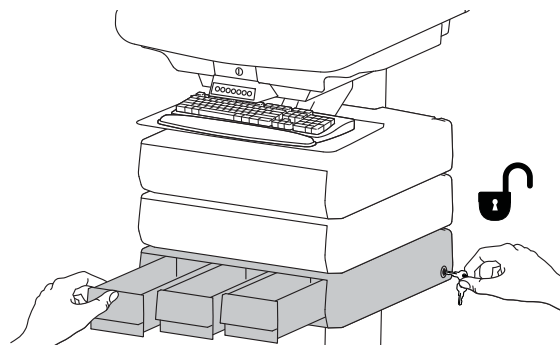
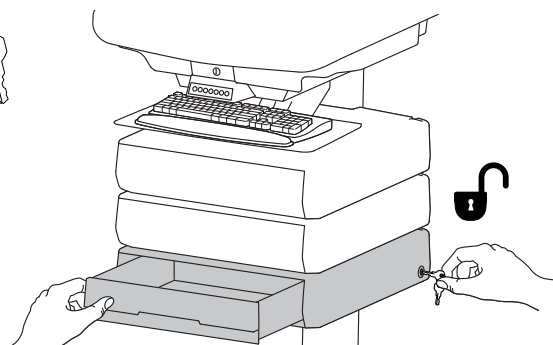
2x 
M4 x 12mm



4 Replace the top drawer(s).



5 To unlock the storage drawer, turn key counter clockwise 1/4 turn.



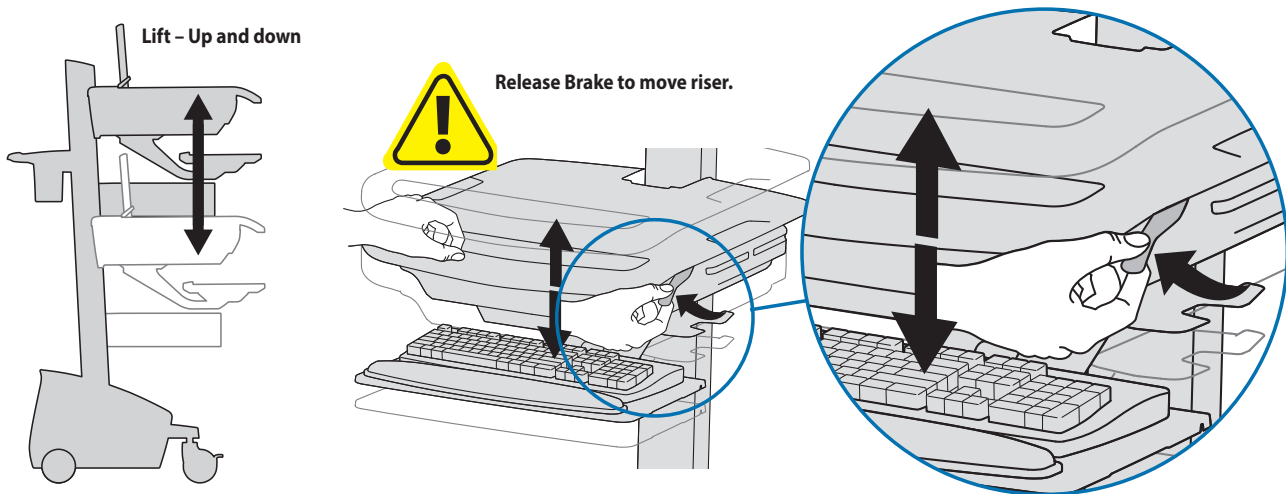
6

Adjustment



It is important that you adjust this product according to the weight of the mounted equipment as described in the following steps. Any time equipment is added or removed from this product, resulting in a change in the weight of the mounted load, you should repeat these adjustment steps to ensure safe and optimum operation.

Adjustments should move smoothly and easily through the full range of motion and stay where you set it. If adjustments are difficult and do not stay in the desired position, follow the instructions to loosen or tighten the tension to create a smooth, easy adjustment motion. Depending on your product and the adjustment, it may take several turns to notice a difference.



Follow these instructions to tighten or loosen tension.

14mm (9/16'')

NOTE: Adjustment may require 40 - 60 revolutions.

NOTE: Adding more than 3 rows of drawers per cart may mean balanced lift adjustment of the cart may not be possible without reducing weight of LCD, laptop, CPU, and/or drawer contents.

© 2014 Ergotron, Inc.
All rights reserved.

While Ergotron, Inc. makes every effort to provide accurate and complete information on the installation and use of its products, it will not be held liable for any editorial errors or omissions (including those made in the process of translation from English to another language), or for incidental, special or consequential damages of any nature resulting from furnishing this instruction and performance of equipment in connection with this instruction. Ergotron, Inc. reserves the right to make changes in the product design and/or product documentation without notification to its users. For the most current product information, or to know if this document is available in languages other than those herein, please contact Ergotron. No part of this publication may be reproduced, stored in a retrieval system, or transmitted in any form or by any means, electronic, mechanical, photocopying, recording or otherwise without the prior written consent of Ergotron, Inc., 1181 Trapp Road, Eagan, Minnesota, 55121, USA Patents Pending and Patented U.S. & Foreign. Ergotron is a registered trademark of Ergotron, Inc.

Americas Sales and Corporate Headquarters **EMEA Sales**

St. Paul, MN USA
(800) 888-8458
+1-651-681-7600
www.ergotron.com
sales@ergotron.com

Amersfoort, The Netherlands
+31 33 45 45 600
www.ergotron.com
info.eu@ergotron.com

APAC Sales

Tokyo, Japan
www.ergotron.com
apaccustomerservice@ergotron.com

Worldwide OEM Sales

www.ergotron.com
info.oem@ergotron.com