

Instructions

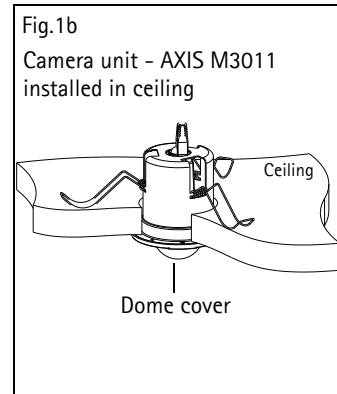
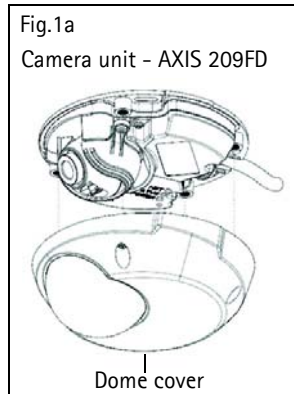
Follow these instructions to replace the lens. In order to set the focus and position the lens, the camera must be connected to the network. For instructions, please refer to the Installation Guide supplied with the camera.

Important!

Detaching/attaching the lens with force may cause irreparable damage to the lens holder, no force is needed.

Follow the instructions below to replace the lens on the following models :

- AXIS M3011
- AXIS 209FD
- AXIS 209FD-R
- AXIS 209FD-R M12
- AXIS 209MFD
- AXIS 209MFD-R M12/SPLIT
- AXIS 209MFD-R
- AXIS 209MFD-R M12
- AXIS 209MFD-R M12/SPLIT

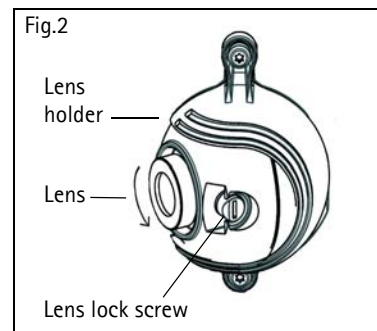


Note: Applies to P/N 0283-00X-08 or higher
P/N is located on the product label

Replace the lens

Follow these instructions to replace the lens:

1. Remove the dome cover, see FIG.1a and FIG.1b.
2. Unlock the lens lock screw by turning it 180°, counter-clockwise (Fig. 2).
3. Rotate the lens counter-clockwise to detach it (Fig. 2).
4. Carefully attach the new lens and be sure to insert it gently, no force is needed.



Set the focus

In order to set the focus and position the lens, the camera must be connected to the network. For instructions, please refer to the Installation Guide supplied with the camera. After installation, follow the instructions below:

Note: Due to the dome's refraction, the image might appear slightly out of focus once the dome has been placed. To compensate, focus on an object slightly closer than the intended area.

E.g. for AXIS 209MFD 16MM lens, rotate approximately 270 degrees counter-clockwise before attaching the dome.

1. Open the camera's Live View page in a web browser.
2. To adjust the focus, manually rotate the lens until the image on the Live View page is satisfactory.
3. Gently lock the lens by turning the lens lock screw approximately 180° clockwise, until it clicks in place.

Position the lens

1. Open the Live View page in a web browser.
2. Checking the image in the Live View page, carefully move the lens to the desired position.

Replace the dome cover

1. Attach the dome cover.
2. Using the supplied allen/hex key, gently tighten the 4 screws (Fig. 1a/1b).

The installation of the lens is now complete. For more information on the functionality of the network camera, please refer to the user documentation available from the Axis web site at www.axis.com or from the AXIS Network Camera CD supplied with the camera.

Important!

Attaching the lens with force may cause damage to the lens holder.