

AXIS T8646 PoE+ over Coax Blade

Multi-channel migration to IP. Keep the coax.



- > No need for re-cabling, keep the coax
- > Fits Axis' video encoder chassis
- > High channel density
- > Supports Axis' network cameras

AXIS T8646 PoE+ over Coax Blade allows migration from analog to IP video surveillance systems using existing coax cabling.

Making use of current infrastructure is an important consideration when migrating from analog to digital surveillance systems. This is especially important in large-scale installations where coax cables are already present and may be very long or inaccessible. In some locations, such as hospitals or prisons, re-cabling might not even be possible.

The 6-channel hot-swappable blade fits any Axis' video encoder chassis. Any combination of encoder blades and AXIS T8646 PoE+ over Coax Blades can be used simultaneously, so customers can migrate to IP at any pace they want.

To complement the solution, AXIS T8642 Ethernet over Coax Device unit PoE+ is used on the camera side.

Another advantage of AXIS T8646 in combination with an encoder chassis is that it limits the number of switch ports needed. It also offers high channel density in a rack with up to 84 channels in 5U.

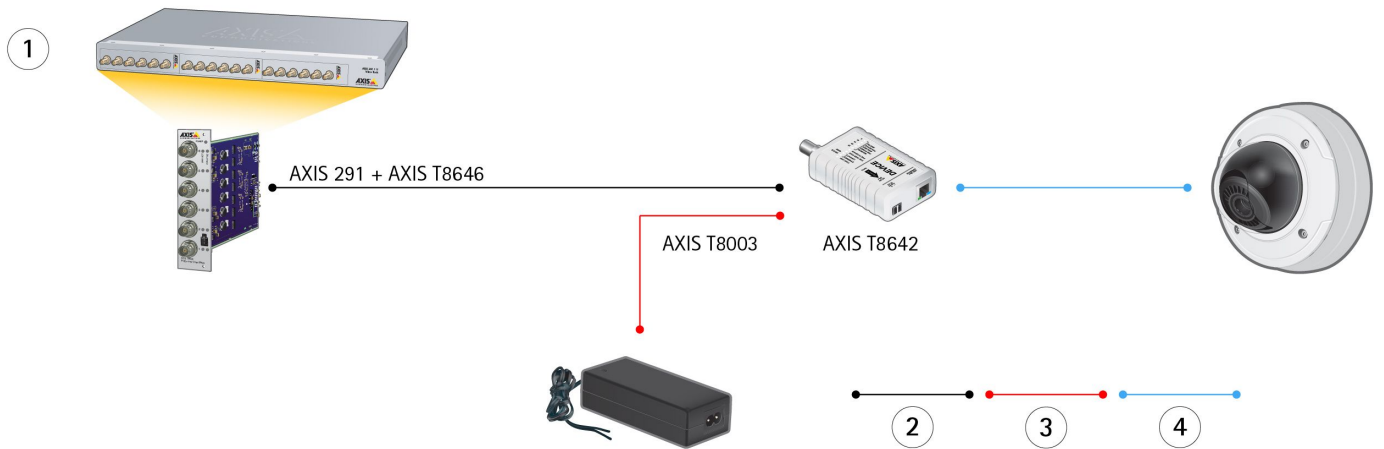


AXIS T8642 Ethernet over Coax Device unit PoE+



AXIS Q7920 Video Encoder Chassis

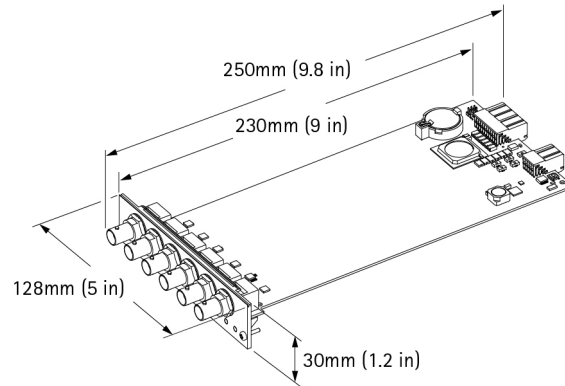
Configuration examples



1. Front-end power option, for small-scale installations
2. Data over Coax
3. Power
4. Power and Data over Ethernet

Suitable configuration depends on the number of IP cameras, calculated power consumption and length and type of existing coax cabling. Please contact us for more information.

Dimensions



Required hardware

1. *AXIS T8642 Ethernet over Coax Device unit PoE+*

With either

2. *AXIS Q7920 Video Encoder Chassi*

Or

3. *AXIS 291 1U Video Server Rack*

1

2

3



Optional accessories

1. *AXIS T8003 PS57*

1



Technical Specifications - AXIS T8646 PoE+ over Coax Blade

Models	AXIS T8646 PoE+ over Coax Blade AXIS T8646 PoE+ over Coax Blade Kit (Contains: AXIS T8646 and six AXIS T8642 device units)	Range Table (data over coax only)
		280 m (492 ft) of CCS RG-59
Data & power		350 m (1148 ft) of CCS RG-59
Date rate	Coaxial cable: 100+100Mbps symmetrical to full range	400 m (1312 ft) of CCS RG-6
Connectors	6 BNC 75 Ohm coaxial connectors DC power input for optional PoE over Coax AXIS T8642: BNC 75 Ohm coaxial connector, Shielded RJ45, EIA 568A and 568B	500 m (1640 ft) of CCS RG-11
Network cables	Any 75 Ohm coaxial (other impedances supported), to 500 m /1600 ft. at full rate, see range table	
Max. output power	AXIS T8646: Power over Ethernet Plus (PoE+) IEEE 802.3at Type 2 Class 4 over Coax with safe auto-detection and auto-cutout AXIS T8642: Power over Ethernet Plus (PoE+) IEEE 802.3at Type 2 Class 4 enabled to detected devices up to 25.5 W	
Input power	AXIS T8646: Powered by encoder chassis, optional DC input to enable PoE+ over coax AXIS T8642: Power over Ethernet Plus (PoE+) IEEE 802.3at Type 2 Class 4 over Coax or DC power	
Installation and management	Plug-and-play installation; Automatically detects PoE and PoE+ enabled devices and supplies in-line power Local LED management display on AXIS T8642, status LEDs on AXIS T8646	
General		
Display and indicators	Green/Amber/Red power LED Green/Amber/Red coax link/activity LED, 1 per channel Green/Amber/Red PoE+ over coax LED, 1 per channel	
Mounting	Axis' video encoder chassis only	
Environment	Indoor	
Operating conditions	0 °C to 45 °C (32 °F to 113 °F) Humidity 20–85% RH (non-condensing)	
Approvals	EN 55022 Class A, EN 55024, FCC Part 15 Subpart B Class A, ICES-003 Class A, C-tick AS/NZS CISPR 22 Class A, IEC/EN/UL 60950-1	
Weight	270 g (0.6 lb)	
Warranty	AXIS T8646 Blade: Axis 3-year warranty AXIS T8646 Kit: Axis 1-year warranty For more information, see www.axis.com/warranty	

More information is available at www.axis.com