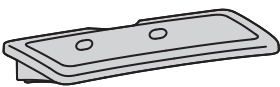
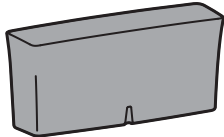
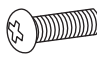
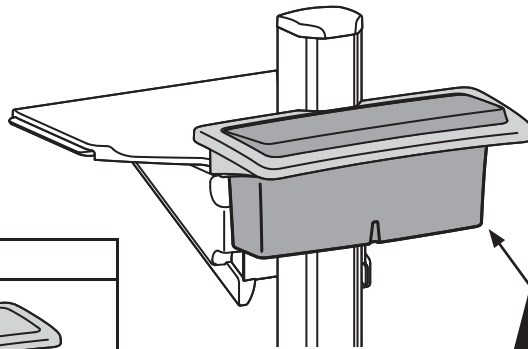


[www.ergotron.com](http://www.ergotron.com)  
 USA 1-800-888-8458  
 Europe +31 (0)33-45 45 600  
 China 86-769-86018920

**ASSEMBLY INSTRUCTIONS**  
 Instrucciones de instalación  
 Notice d'assemblage  
 Montageanleitungen  
 Installatie instructies  
 Manuali d'istruzione  
 取扱説明書  
 安装说明

1	1x	
2	1x	
3	2x	 M3.5 x 8mm



  
**Max weight capacity: 5 lbs (2.27 kg)**



**WARNING!**  
**TIPPING HAZARD**  
 Max weight capacity: 5 lbs (2.27 kg)  
 DO NOT exceed 5 lbs (2.27 kg) on additional worksurface. Failure to follow this warning may result in an unstable situation that may cause equipment damage and/or personal injury.

