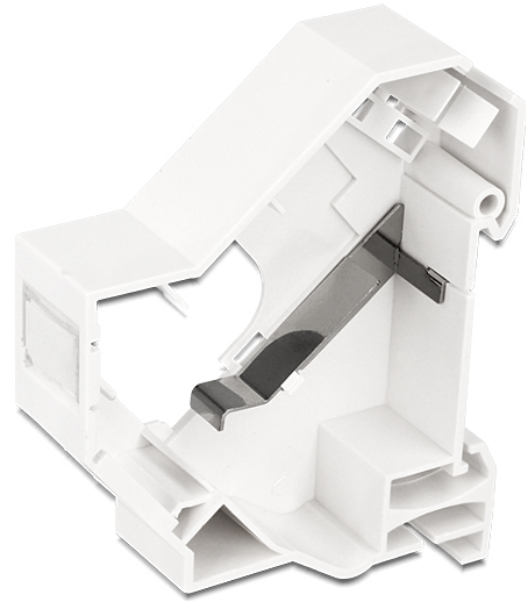


Delock Keystone Mounting for DIN rail shielded

Description

This Keystone holder by Delock can be mounted on DIN rails. With its standardized dimensions, it is suitable for easy snap-in mounting of one Keystone module.



Specification

- One Keystone Port 19.2 x 14.9 mm
- Mounting for 35 mm DIN rail
- Stackable
- Sheet metal for grounding Keystones with metal housing to the DIN rail
- Integrated name plate
- Color: white
- Dimensions (LxWxH): 65.0 x 18.0 x 78.5 mm

Item No. 86232



EAN	4043619862320
Country of origin	Taiwan, Republic of China

Package content

- Keystone Mounting

Package

- Poly bag

Images



Anwendungsbeispiel mit Stecker



Anwendungsbeispiel mit Stecker