

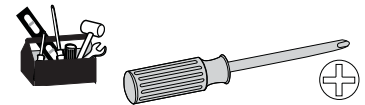
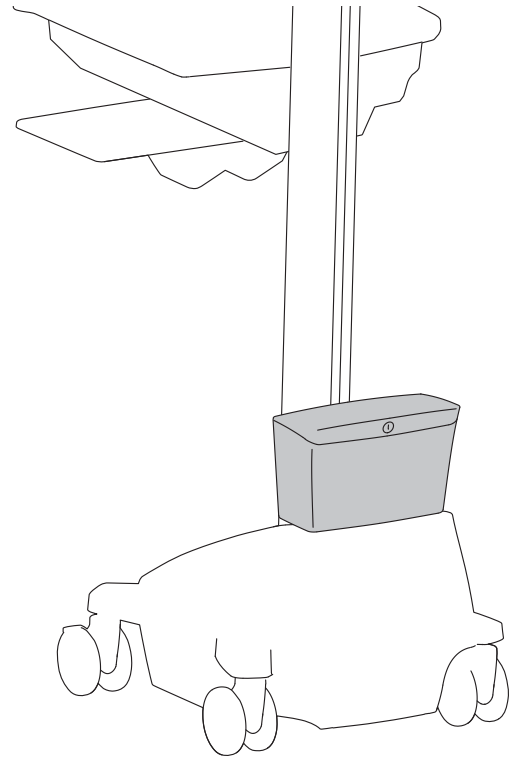
[www.ergotron.com](http://www.ergotron.com)  
 USA 1-800-888-8458  
 Europe +31 (0)33-45 45 600  
 China 86-769-86018920

For service and warranty visit [www.ergotron.com](http://www.ergotron.com)  
 Si desea información de servicio y garantía, visite [www.ergotron.com](http://www.ergotron.com)  
 Pour toute question concernant la garantie ou le service client, consultez [www.ergotron.com](http://www.ergotron.com)  
 Weitere Informationen zu Service und Gewährleistung erhalten Sie unter [www.ergotron.com](http://www.ergotron.com).  
 Ga voor service en garantie naar [www.ergotron.com](http://www.ergotron.com)  
 Per assistenza e la garanzia visitare [www.ergotron.com](http://www.ergotron.com)  
 Gå in på [www.ergotron.com](http://www.ergotron.com) för service och garanti  
 サービスおよび保証について詳しくは、[www.ergotron.com](http://www.ergotron.com) をご覧ください。  
 有关服务和保修，请访问 [www.ergotron.com](http://www.ergotron.com)

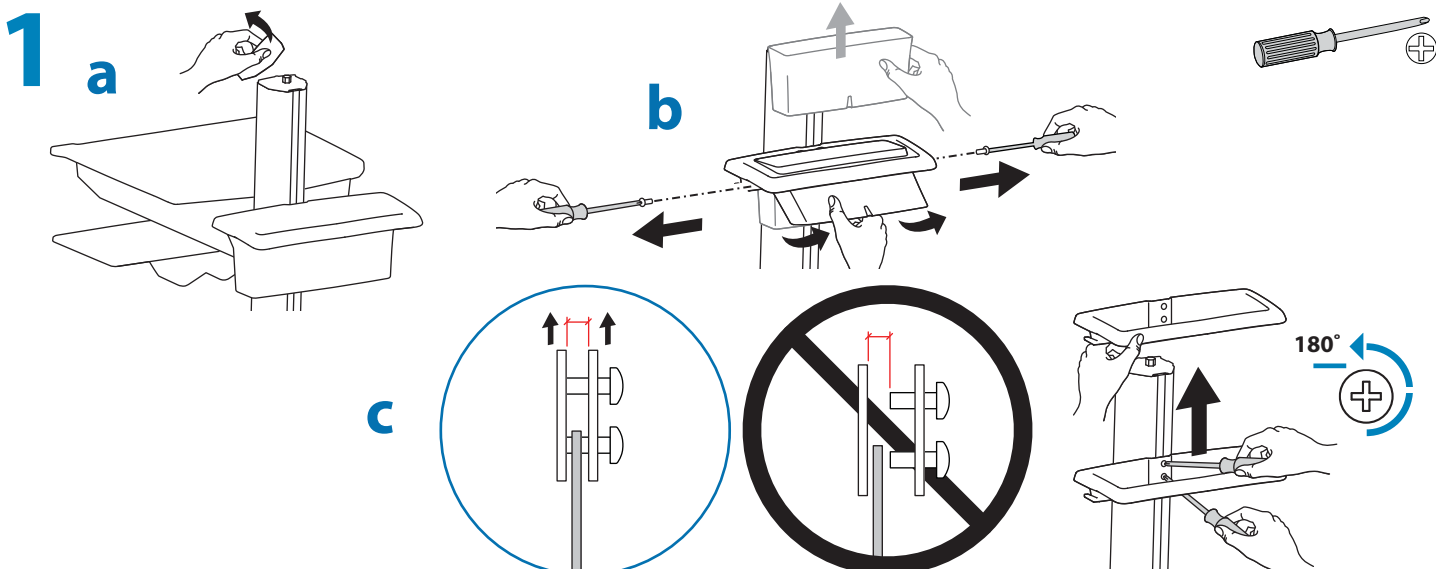
[www.ergotron.com](http://www.ergotron.com)



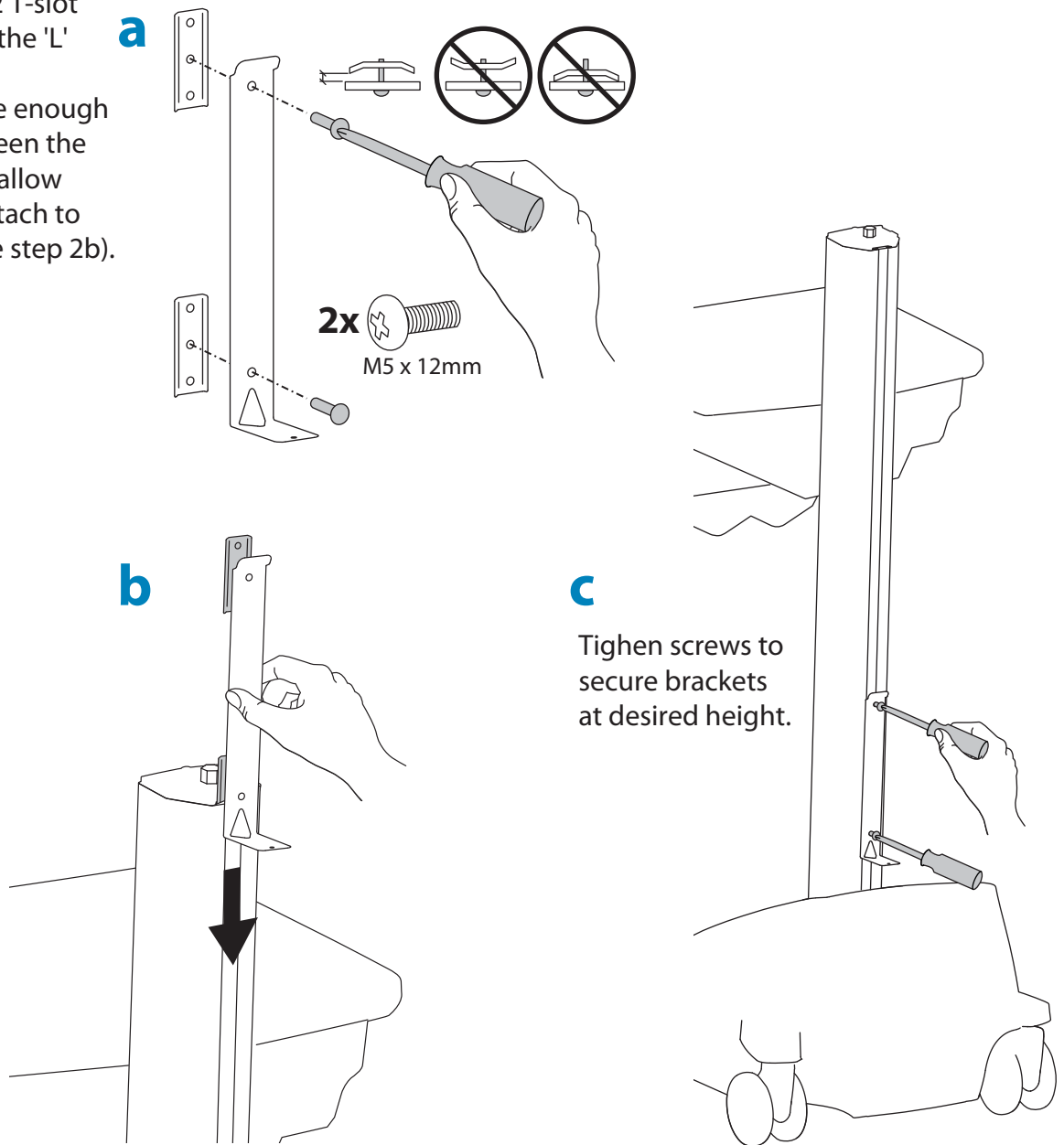
User's Guide - English  
 Guía del usuario - Español  
 Manuel de l'utilisateur - Français  
 Gebruikersgids - Nederlands  
 Benutzerhandbuch - Deutsch  
 Guida per l'utente - Italiano  
 Användarhandbok - svenska  
 ユーザーガイド : 日本語  
 用户指南 : 汉语



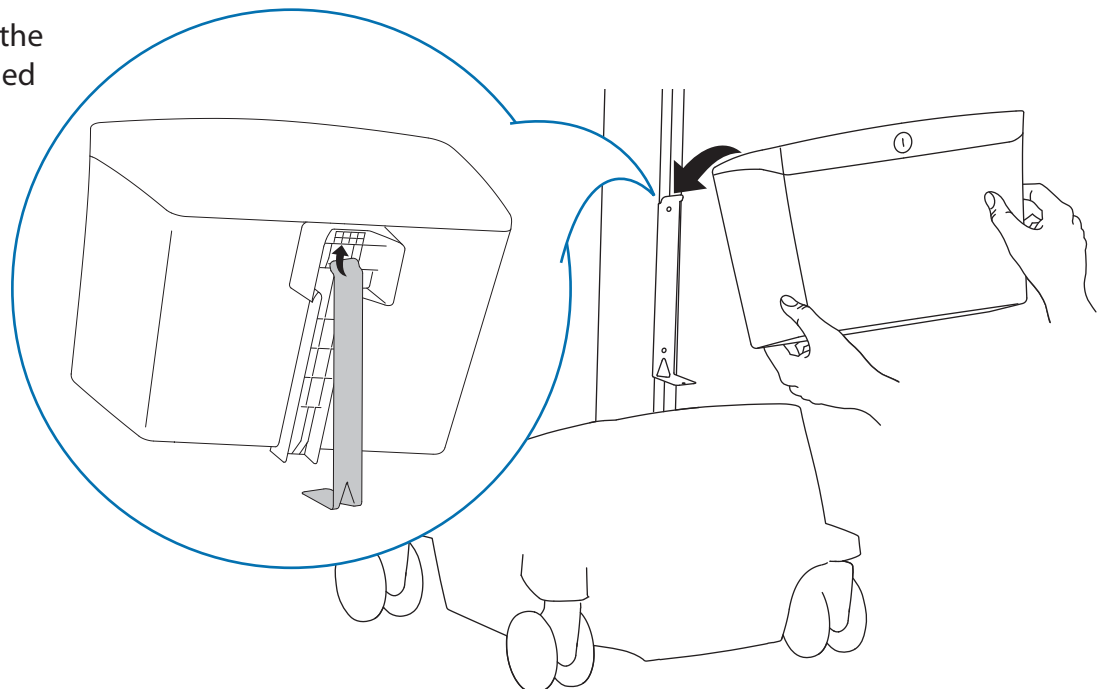
	A	B	C	D	E
1	1x 	1x  2x 	1x 	2x  M5 x 12mm 1x  M4 x 10mm	1x 



**2** Attach the 2 T-slot brackets to the 'L' bracket.  
NOTE: Leave enough space between the brackets to allow access to attach to the cart (see step 2b).

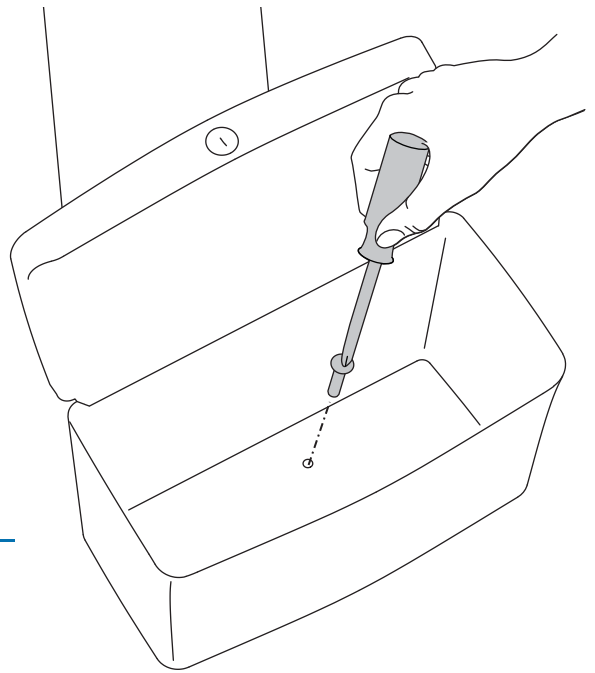
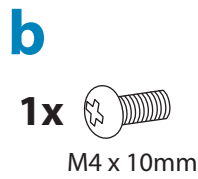
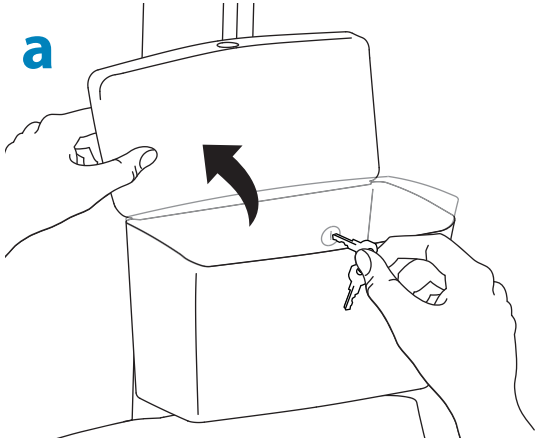


**3** Hang the bin on the 'L' bracket attached to the cart.



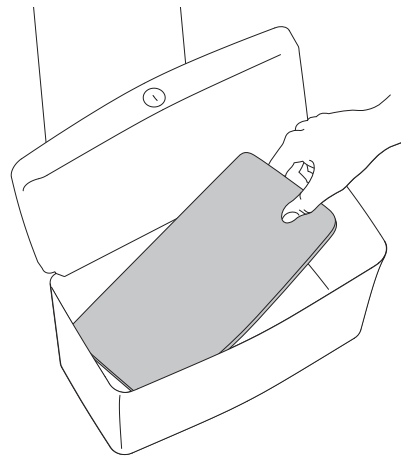
# 4

Unlock and open the bin, then secure bin to cart with screw.

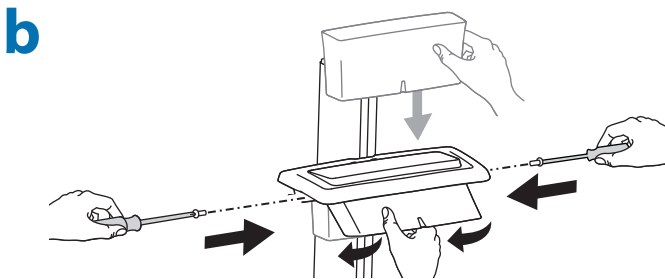
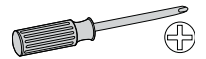
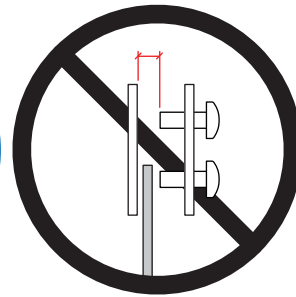
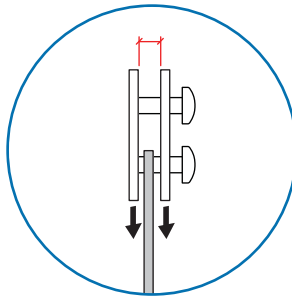
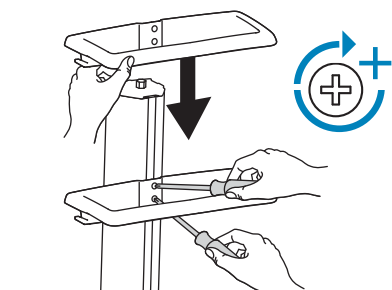


# 5

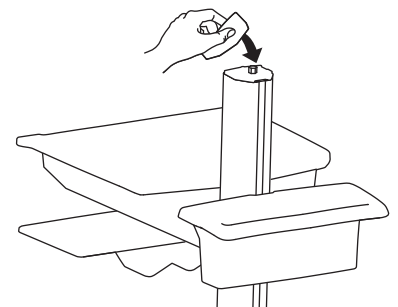
Insert rubber mat into bin.



# 6



**c**



© 2012 Ergotron, Inc.  
All rights reserved.

While Ergotron, Inc. makes every effort to provide accurate and complete information on the installation and use of its products, it will not be held liable for any editorial errors or omissions (including those made in the process of translation from English to another language), or for incidental, special or consequential damages of any nature resulting from furnishing this instruction and performance of equipment in connection with this instruction. Ergotron, Inc. reserves the right to make changes in the product design and/or product documentation without notification to its users. For the most current product information, or to know if this document is available in languages other than those herein, please contact Ergotron. No part of this publication may be reproduced, stored in a retrieval system, or transmitted in any form or by any means, electronic, mechanical, photocopying, recording or otherwise without the prior written consent of Ergotron, Inc., 1181 Trapp Road, Eagan, Minnesota, 55121, USA. Patents Pending and Patented U.S. & Foreign. Ergotron is a registered trademark of Ergotron, Inc.

### Americas Sales and Corporate Headquarters

St. Paul, MN USA  
(800) 888-8458  
+1-651-681-7600  
www.ergotron.com  
sales@ergotron.com

### EMEA Sales

Amersfoort, The Netherlands  
+31 33 45 45 600  
www.ergotron.com  
info.eu@ergotron.com

### APAC Sales

Tokyo, Japan  
www.ergotron.com  
apaccustomerservice@ergotron.com

### Worldwide OEM Sales

www.ergotron.com  
info.oem@ergotron.com