

CAUTION: Make sure you know the max. weight capacity of your mounting solution before attaching the scanner shelf. Include the weight of your monitor, scanner shelf, scanner base and scanner: when figuring mounted weight on your mounting solution. Failure to follow this Caution may lead to equipment damage and/or personal injury.

For the latest User Installation Guide please visit: www.ergotron.com

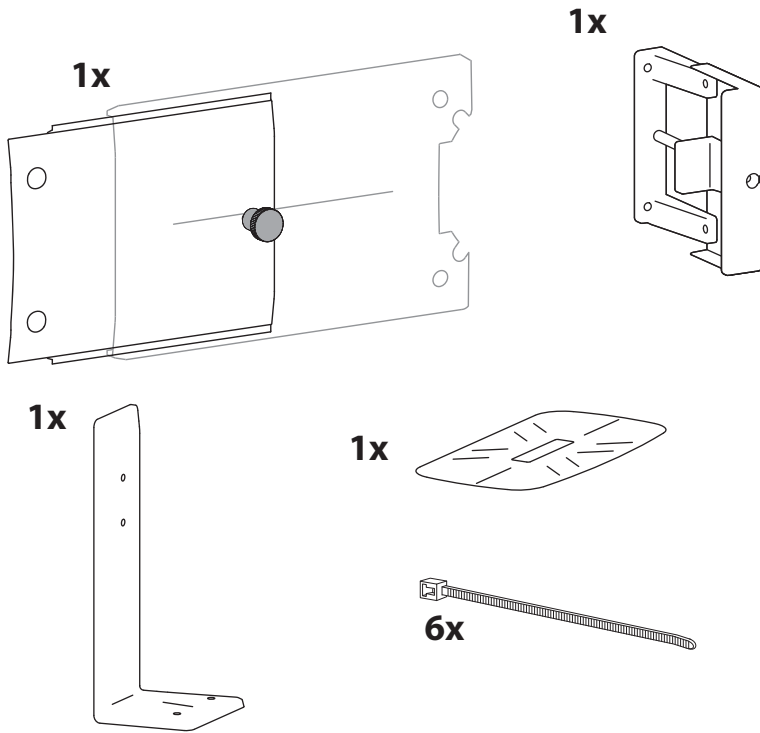












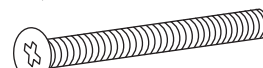
User's Guide - English
Guía del usuario - Español
Manuel de l'utilisateur - Français
Gebruikersgids - Deutsch
Benutzerhandbuch - Nederlands
Guida per l'utente - Italiano
Användarhandbok - svenska
ユーザーガイド : 日本語
用户指南 : 汉语



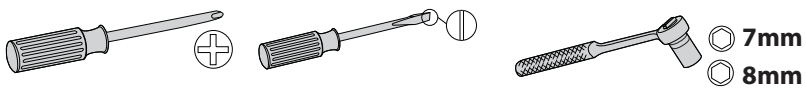
www.ergotron.com
USA 1-800-888-8458
Europe +31 (0)33-45 45 600
China 86-769-86018920

Components



- 1x  M3 x 10mm
- 1x  M3.5 x 8mm
- 5x  M4 x 10mm
- 6x  M4 x 14mm
- 1x  8-32 x 5/16"
- 4x  M4
- 1x  M5
- 5x  M4
- 1x  M5
- 2x  M4 SEM
- 1x  M4 x 35mm

Tools Needed



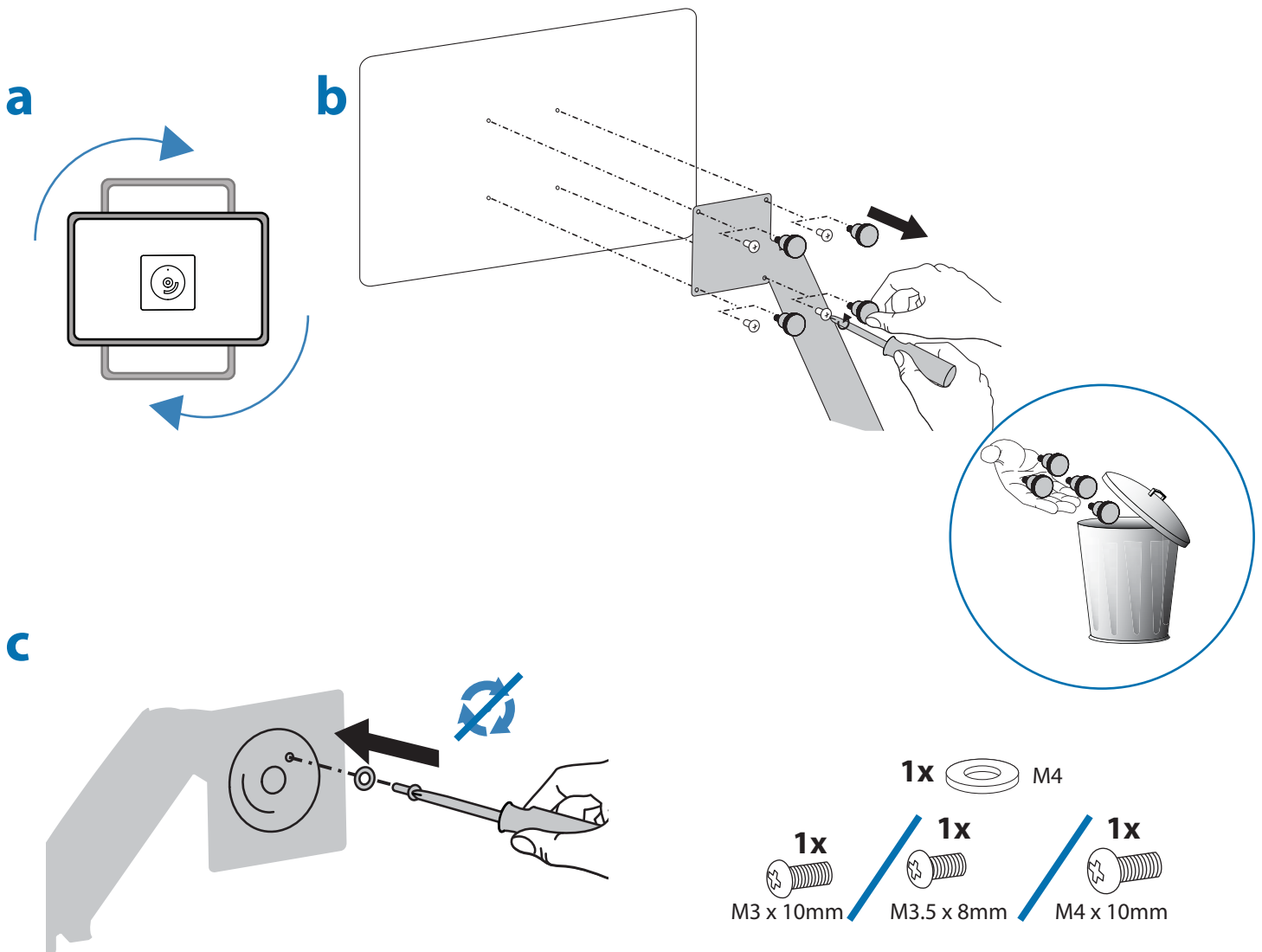
1 A "stop rotate" screw will keep your display from rotating, which could cause the mounted scanner to fall off. There may already be a "stop rotate screw" installed between your display and the VESA plate.

a) Test to see if a "stop rotate screw" is installed by trying to rotate your display. If it will not turn, the "stop rotate screw" is already installed, skip steps 1b - 1d below, and go straight to step 2 on the next page. If your display rotates freely, you'll need to install one of the provided "stop rotate screws" as shown in steps 1b - 1d below.

b) Rotate your display to the orientation you will be using it in from now on (once you install the "stop rotate screw", the display will be fixed in either portrait or landscape position). Remove the display from the VESA plate with a phillips screwdriver. You can discard the screws or thumb screws since replacements are provided with this product.

c) Insert the provided washer and one of the three provided stop-rotate screws : M3x10 mm, M3.5x8mm, or M4x10mm depending on the diameter of the hole in your VESA plate.

d) Reattach your display to the VESA plate using two of the provided M4x10mm screws. NOTE: insert the screws into the VESA plate opposite the side of the display that the scanner will be mounted! If thumb screws were previously inserted, do not use them.

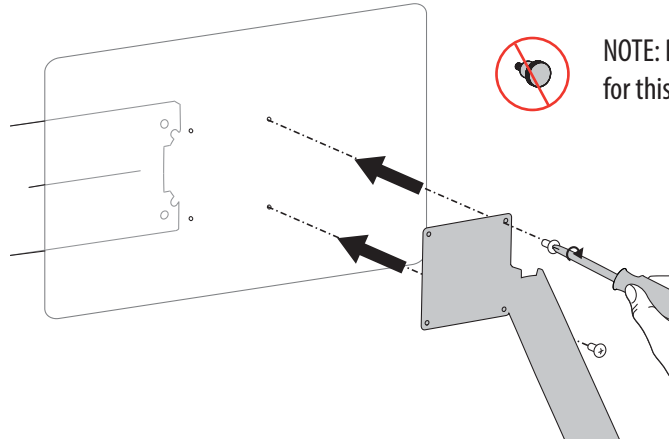


d

2x 

M4 x 10mm

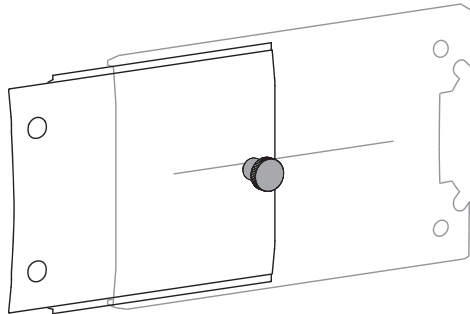
NOTE: insert the screws into the VESA plate opposite the side of the display that the scanner will be mounted!



2

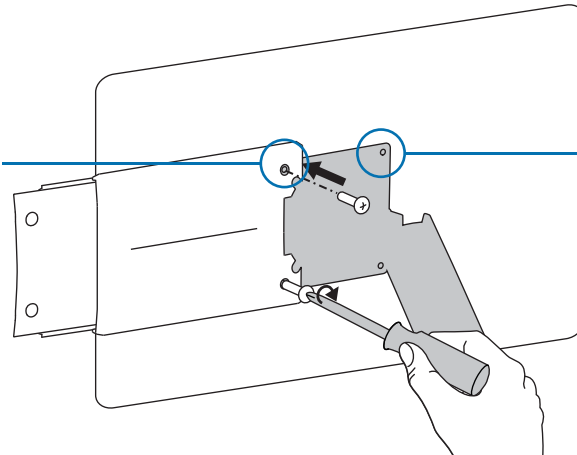
Attach part "1A" to VESA plate at the back of your display. Insert two of the provided M4x14mm phillips screws through the bracket, the VESA plate and display.

1A



Right-mount scanner holder position

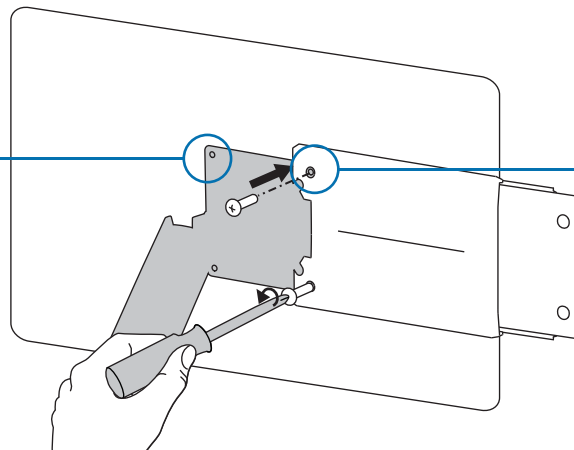
2x 
M4 x 14mm



M4x10mm screws are located on the left side of the VESA plate.

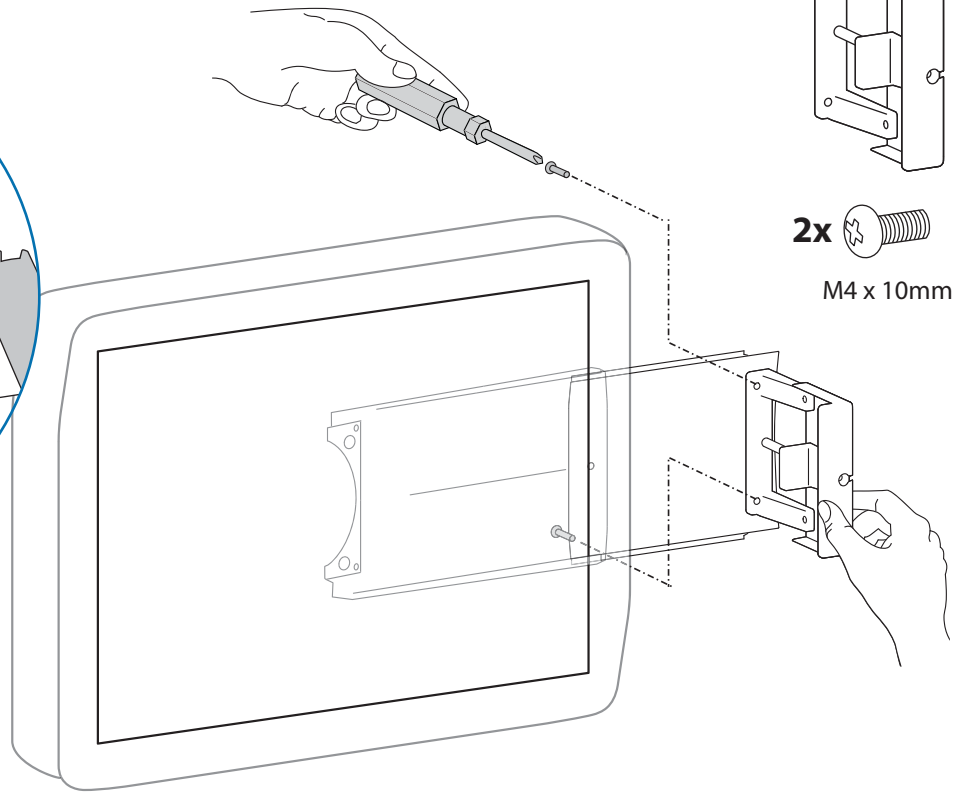
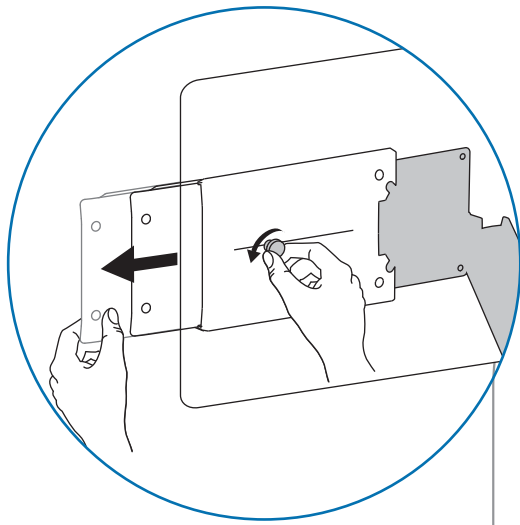
Left-mount scanner holder position

M4x10mm screws are located on the right side of the VESA plate.

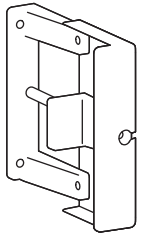


2x 
M4 x 14mm

3 Loosen the thumb screw on part "1A" (at the back of the display) and adjust so that part "1B" can be attached to part "1A", then attach "1B" to "1A".

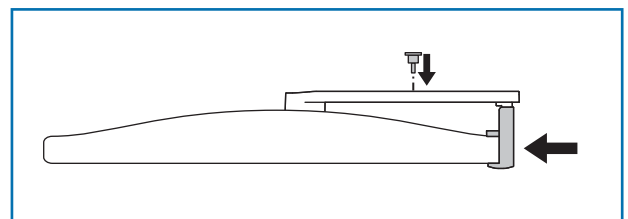
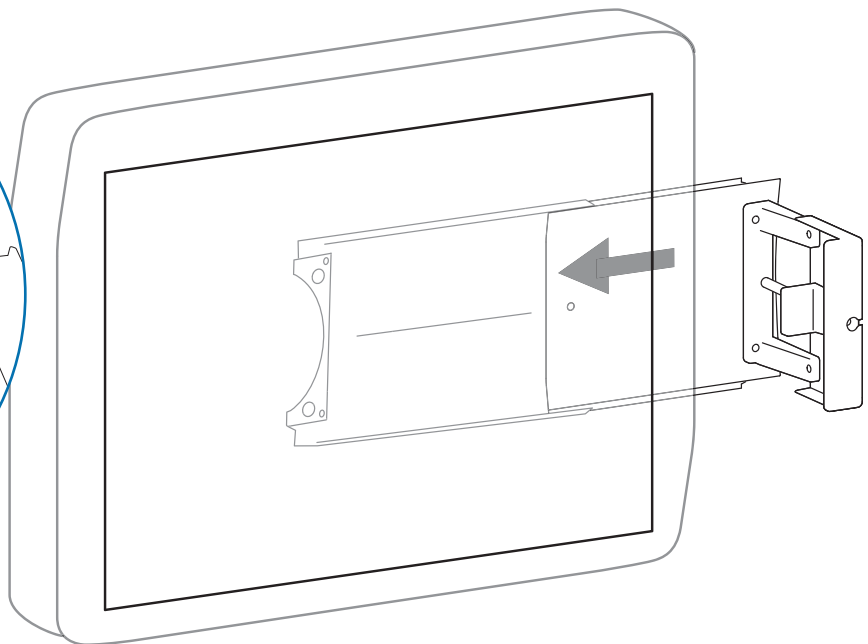
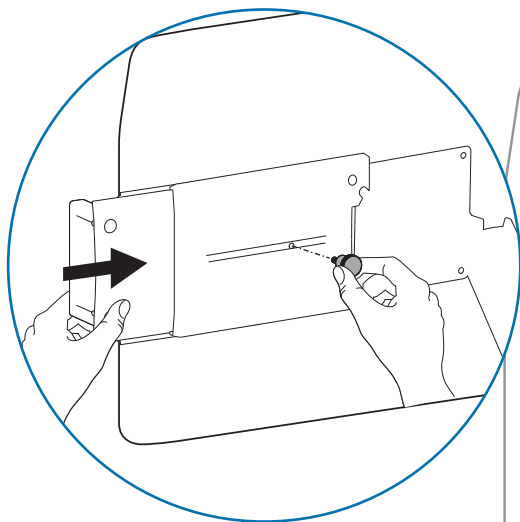


1B

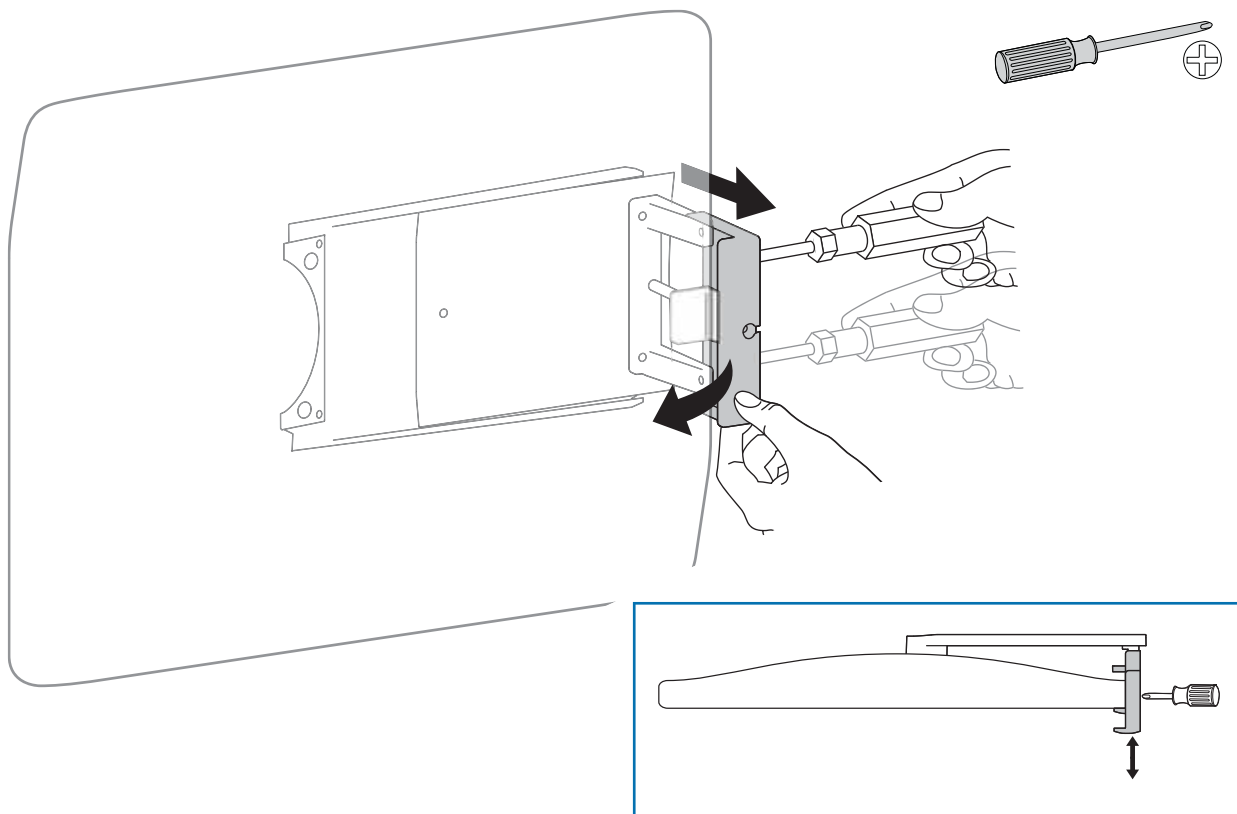


2x 
M4 x 10mm

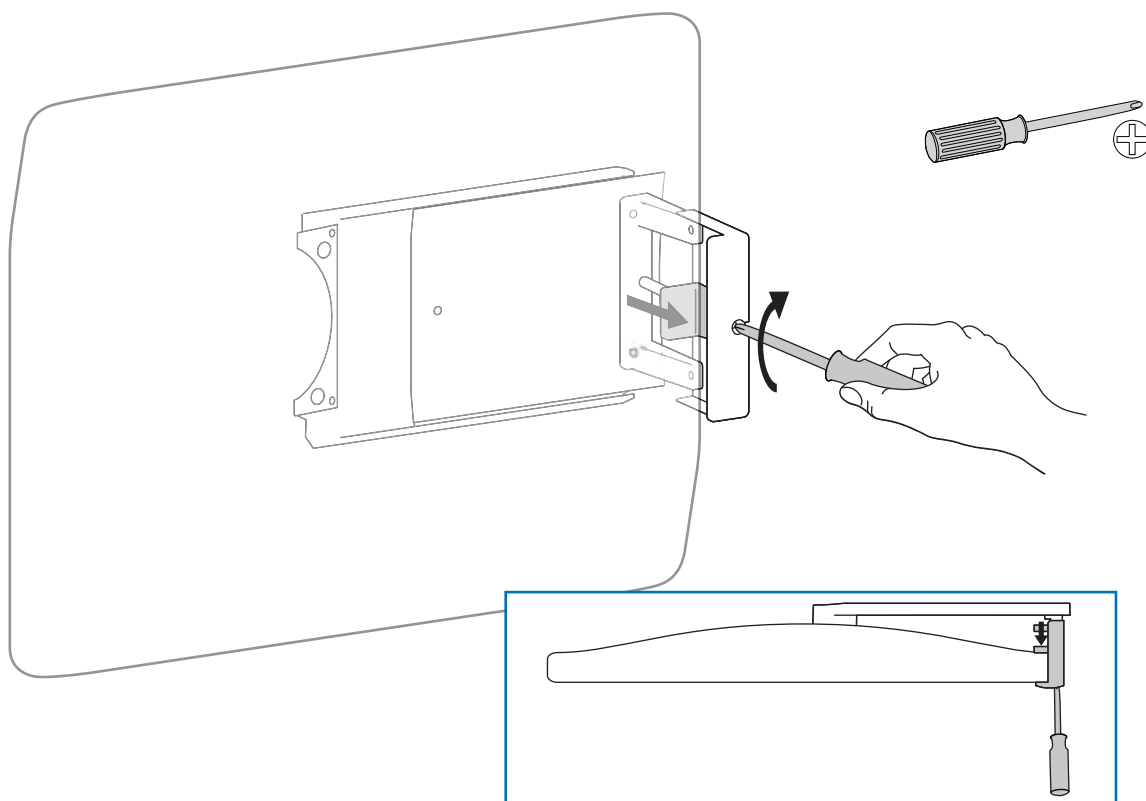
4 Loosen the thumb screw on part "1A" (at the back of the display) and adjust so that part "1B" comes into contact with the side of the display.



- 5** Pull the front section of part "1B" forward so that it grips the front of the display. Tighten with phillips screwdriver until snug.

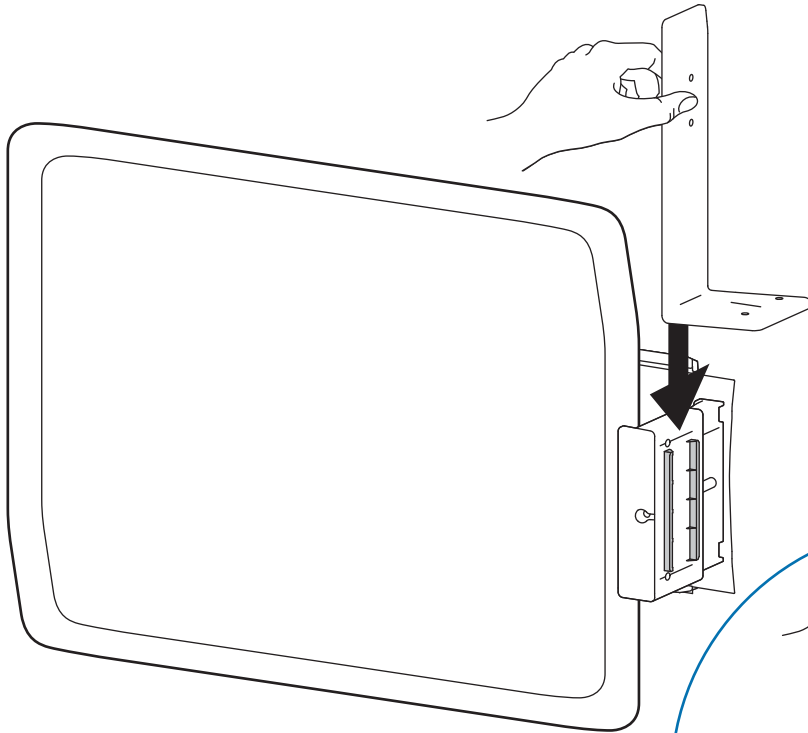
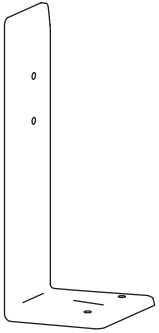


- 6** Tighten the front screw until the spacer holds the display snug.

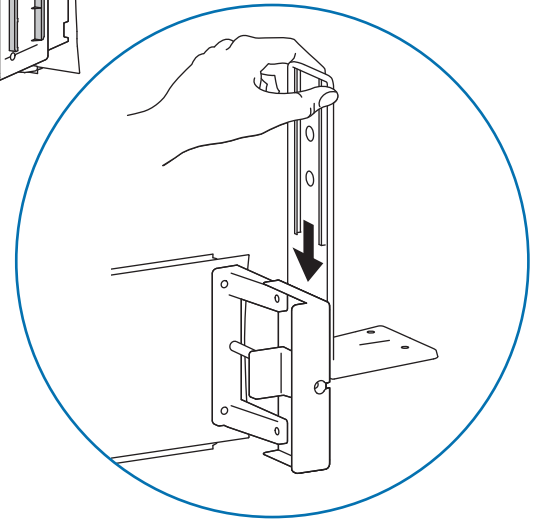


7 Slide part "2A", L-bracket, into part "1B"

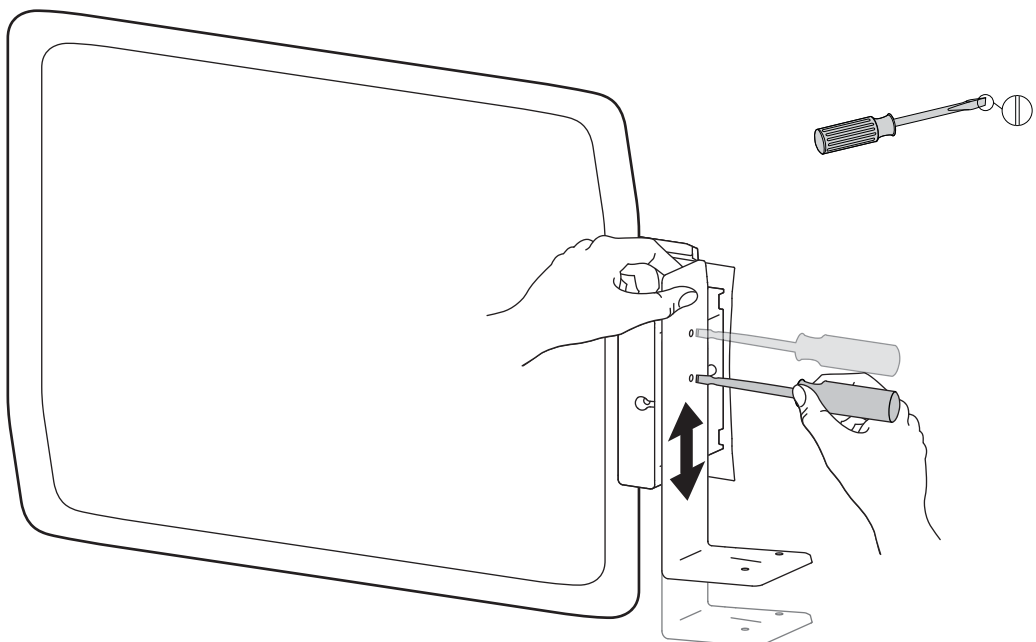
2A



NOTE: If the scanner is mounted too low it may interfere with the keyboard tray when moved into the full-up position. In that case, raise the scanner L-bracket (part "2A") higher in relation to the display.

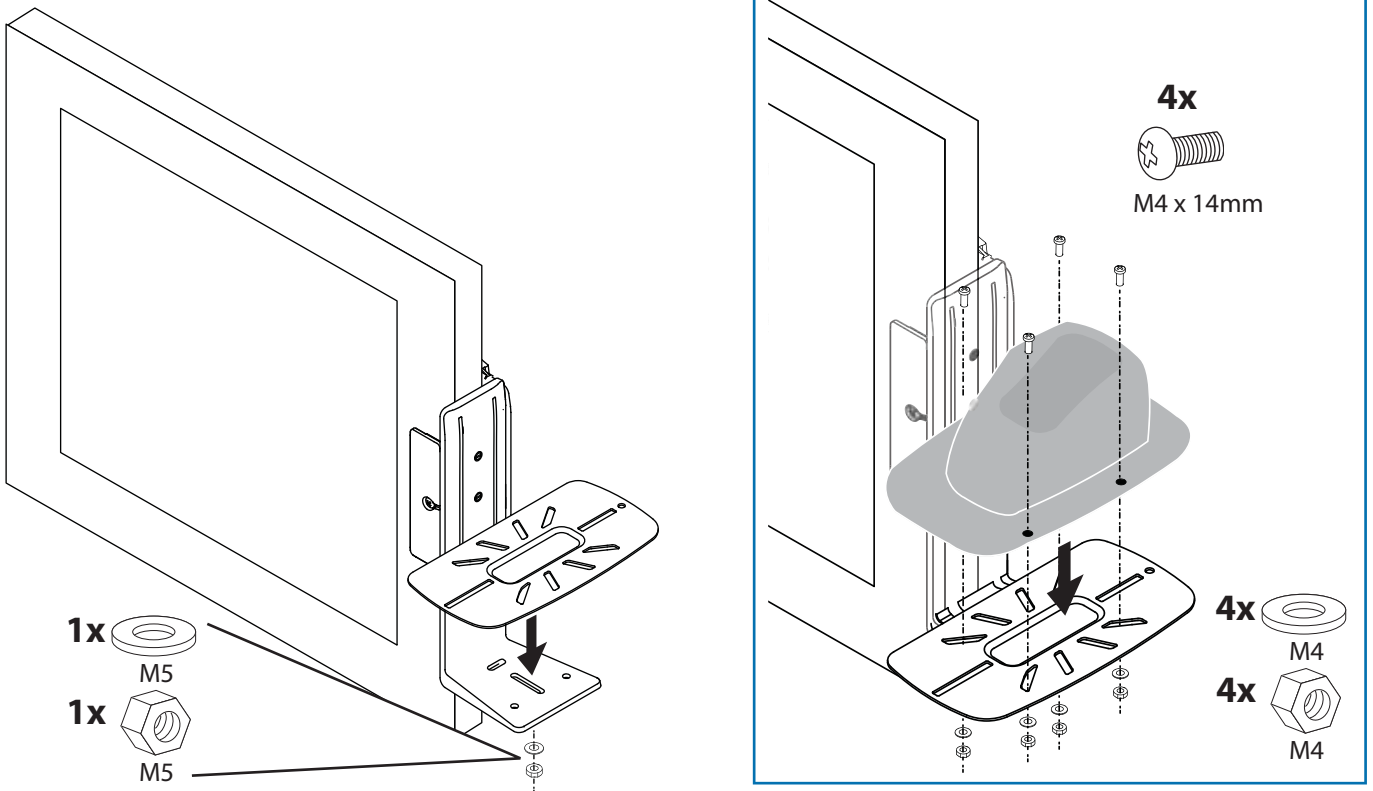


8 Adjust the L-bracket to desired height and tighten screws with a flat-head screwdriver.

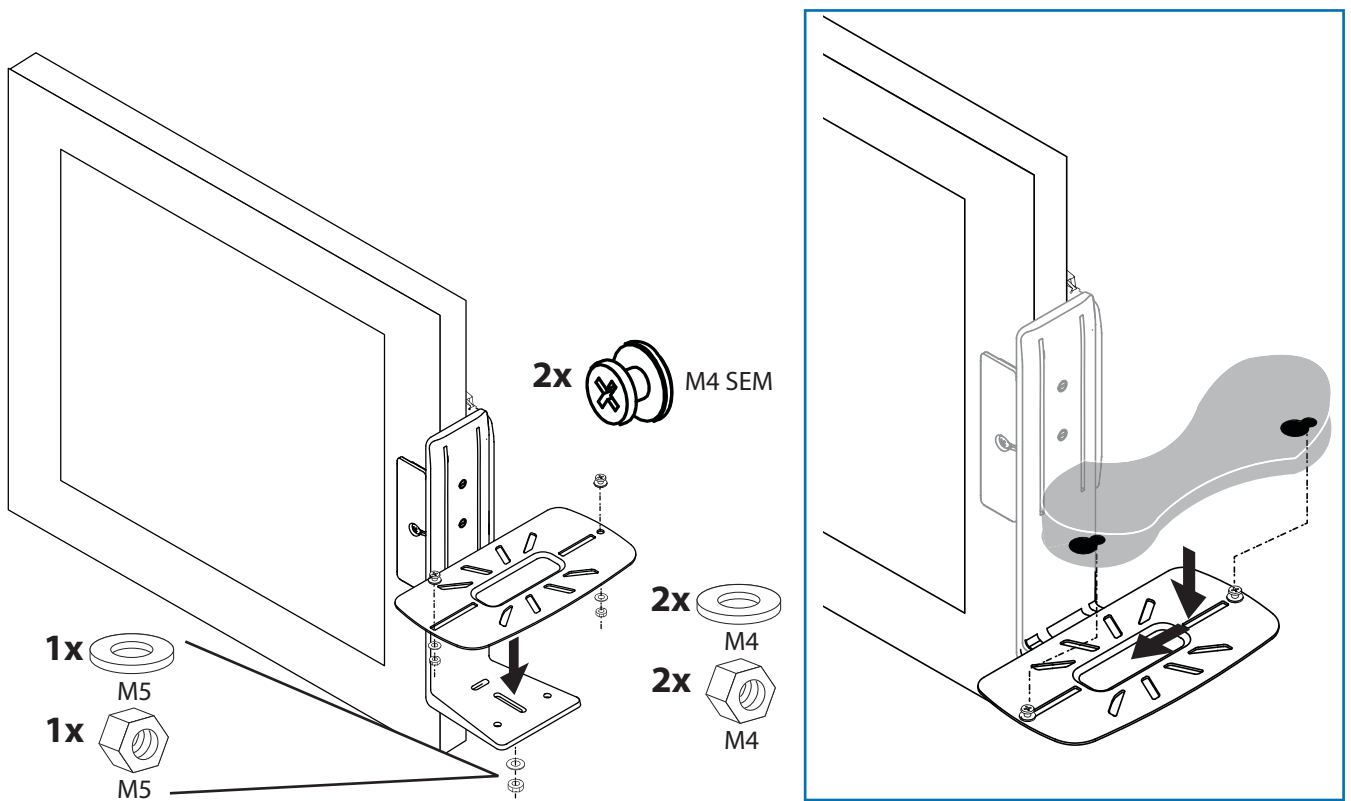


9 Choose the scanner mount configuration that matches your scanner.

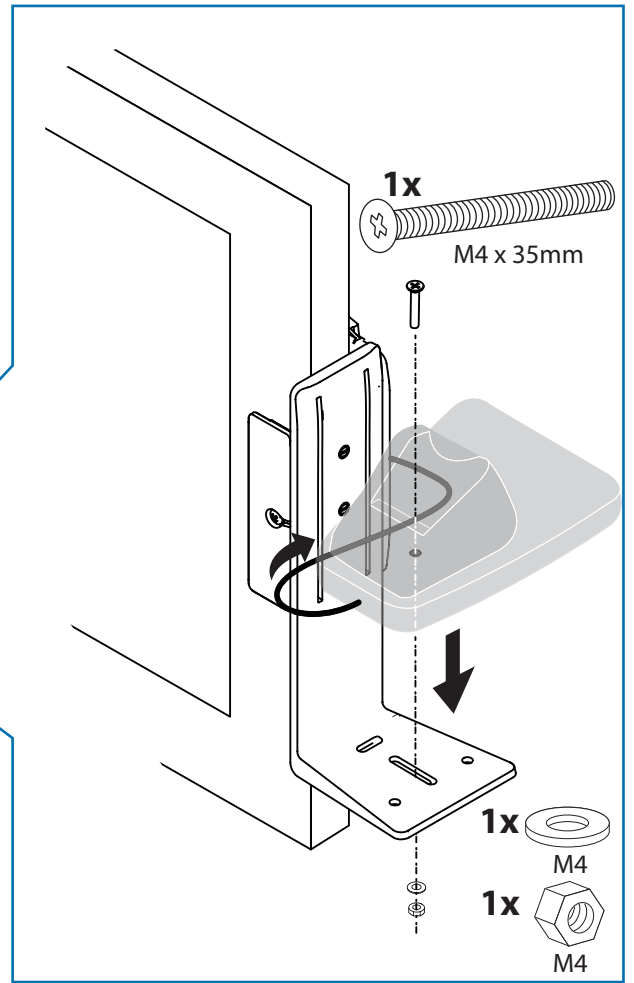
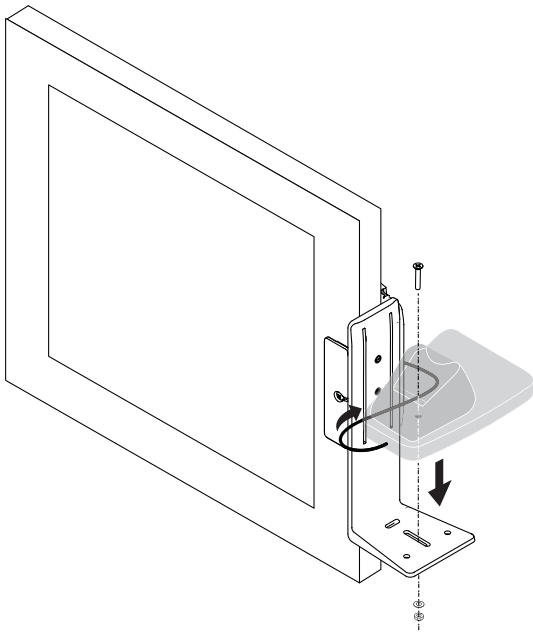
4-corner mount: attach interface plate to L-bracket using 1 washer and 1 nut, then attach scanner base with 4 phillips screws, 4 washers and 4 nuts.



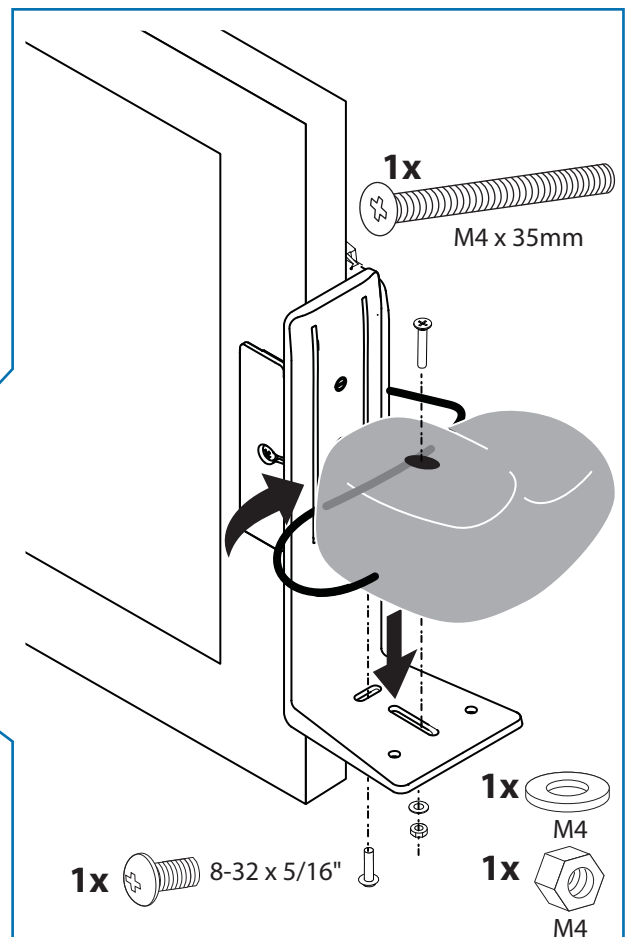
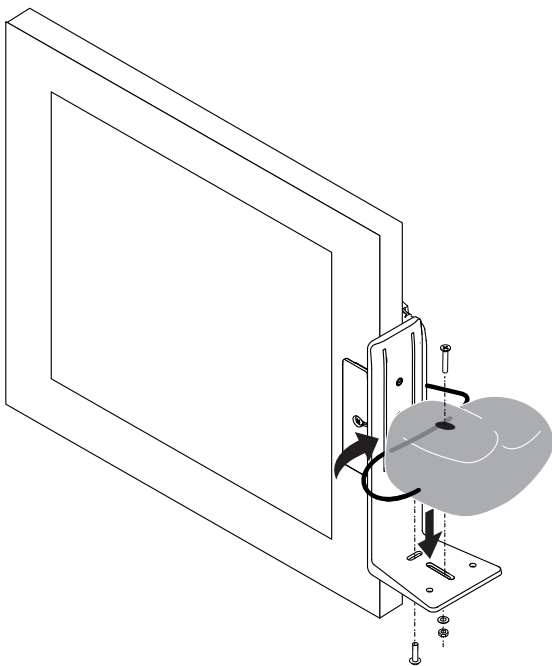
Keyhole mount: attach interface plate to L-bracket using 1 washer and 1 nut, then attach scanner base using 2 shoulder screws, 2 washers and 2 nuts.



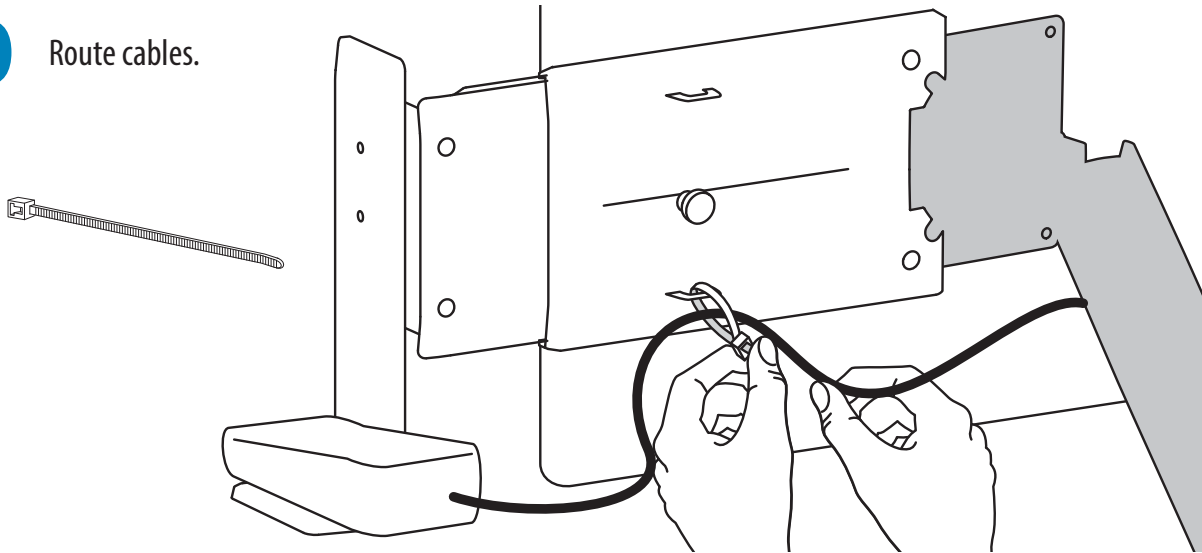
Single hole, center mount: scanner base attaches directly to the L-bracket using: 1 screw, washer and nut.



Single hole, center mount plus side screw: scanner base attaches directly to the L-bracket using: 1 screw from bottom, 1 screw from top with washer and nut.



10 Route cables.



Adjustment Step

Adjust your mounting solution to handle the added weight.

Adjustments should move smoothly and easily through the full range of motion and stay where you set it. If adjustments are difficult and do not stay in the desired position, follow the instructions to loosen or tighten the tension to create a smooth, easy adjustment motion. Depending on your product and the adjustment, it may take several turns to notice a difference.

For service and warranty visit www.ergotron.com

For local customer care phone numbers visit: <http://contact.ergotron.com>



© 2014 Ergotron, Inc.
All rights reserved.

While Ergotron, Inc. makes every effort to provide accurate and complete information on the installation and use of its products, it will not be held liable for any editorial errors or omissions (including those made in the process of translation from English to another language), or for incidental, special or consequential damages of any nature resulting from furnishing this instruction and performance of equipment in connection with this instruction. Ergotron, Inc. reserves the right to make changes in the product design and/or product documentation without notification to its users. For the most current product information, or to know if this document is available in languages other than those herein, please contact Ergotron. No part of this publication may be reproduced, stored in a retrieval system, or transmitted in any form or by any means, electronic, mechanical, photocopying, recording or otherwise without the prior written consent of Ergotron, Inc., 1181 Trapp Road, Eagan, Minnesota, 55121, USA Patents Pending and Patented U.S. & Foreign. Ergotron is a registered trademark of Ergotron, Inc.

Americas Sales and Corporate Headquarters

St. Paul, MN USA
(800) 888-8458
+1-651-681-7600
www.ergotron.com
sales@ergotron.com

EMEA Sales

Amersfoort, The Netherlands
+31 33 45 45 600
www.ergotron.com
info.eu@ergotron.com

APAC Sales

Tokyo, Japan
www.ergotron.com
apaccustomerservice@ergotron.com

Worldwide OEM Sales

www.ergotron.com
info.oem@ergotron.com