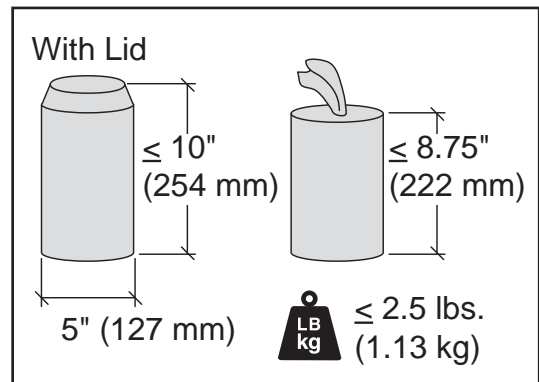
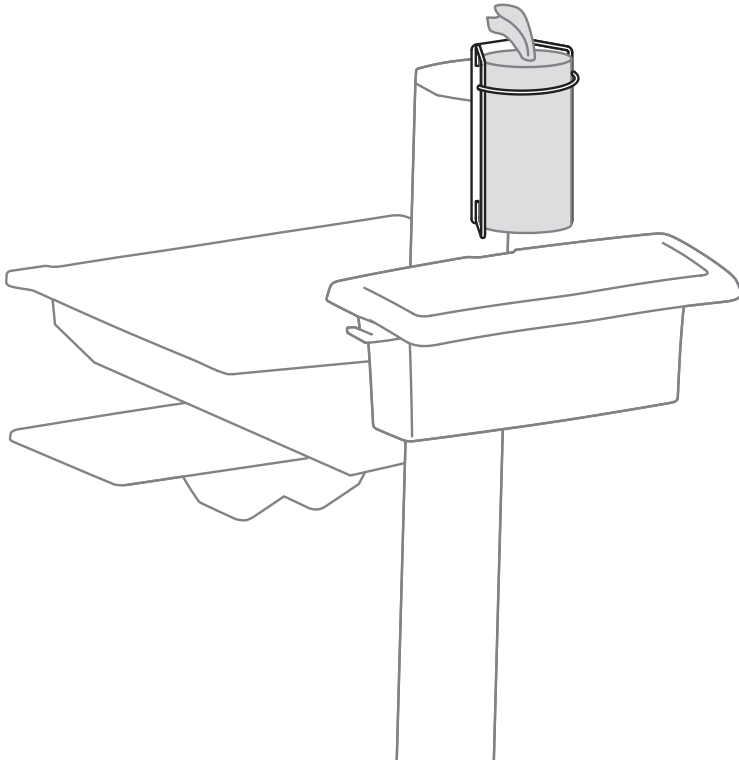
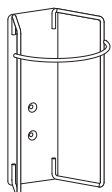

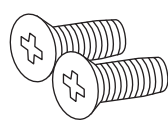


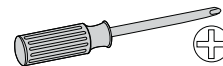
StyleView Sani Wipe Holder



Components

	A	B	C
1			 M5 x 8mm

Tools Needed



For the latest User Installation Guide please visit: www.ergotron.com

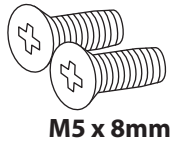


User's Guide - English
Guía del usuario - Español
Manuel de l'utilisateur - Français
Gebbruikersgids - Nederlands
Benutzerhandbuch - Deutsch
Guida per l'utente - Italiano
Användarhandbok - svenska
ユーザーガイド: 日本語
用户指南 : 汉语

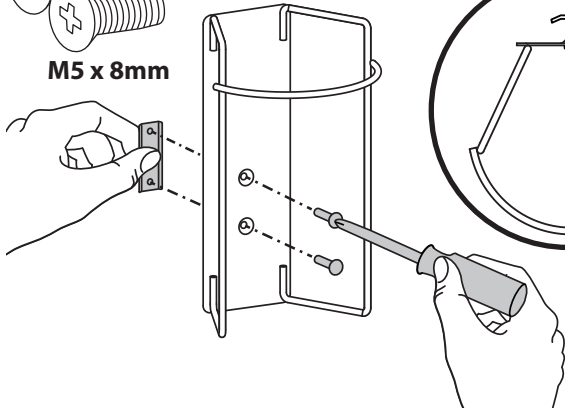


www.ergotron.com
USA 1-800-888-8458
Europe +31 (0)33-45 45 600
China 86-769-86018920

1

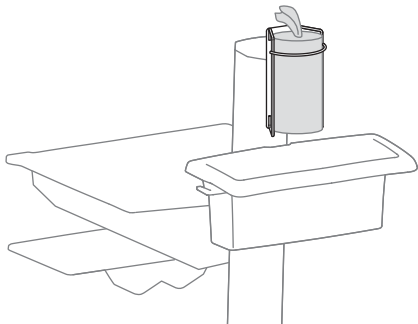


M5 x 8mm

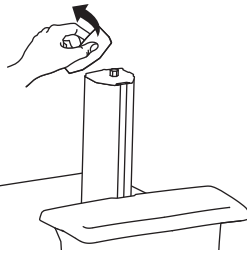


2

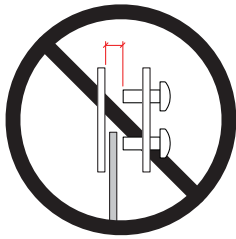
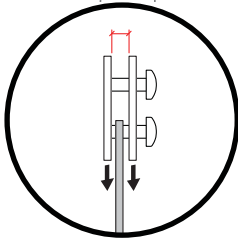
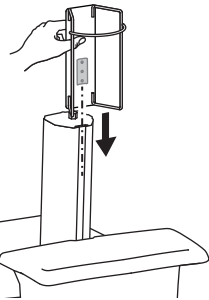
SV40/SV41/SV42 CART



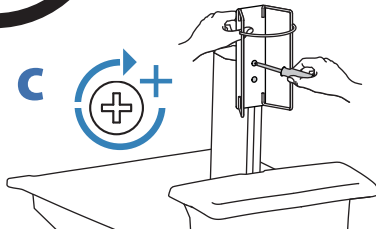
a



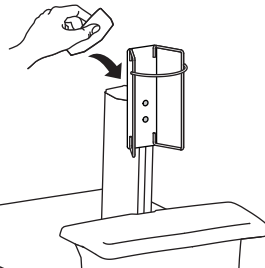
b



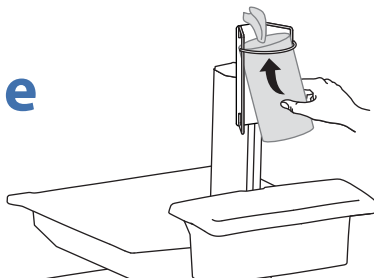
c



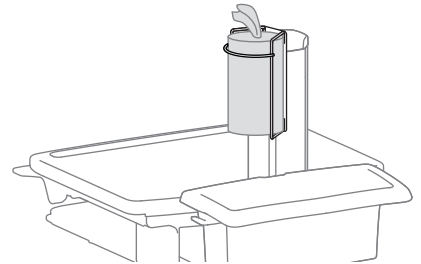
d



e



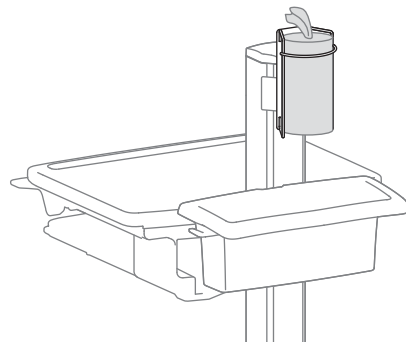
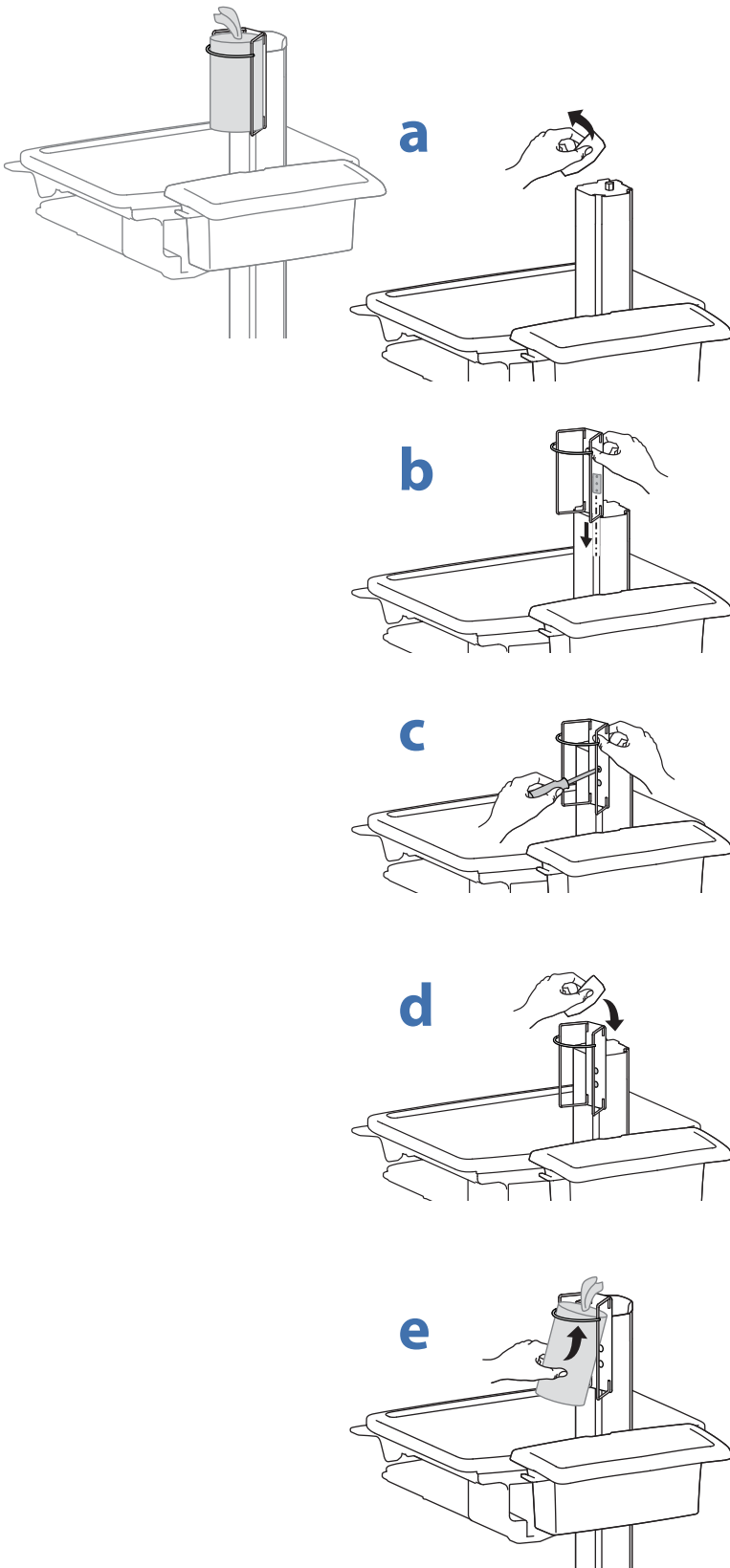
CART WITH DUAL T-SLOTS ON REAR OF CART: SV31/32



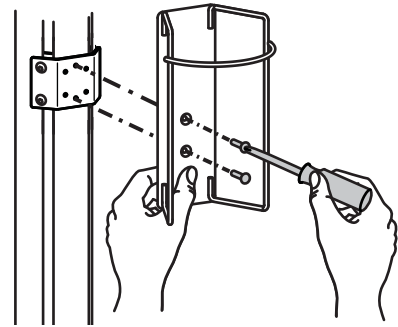
CART WITH DUAL T-SLOTS ON REAR OF CART: SV31/32

Single T-slot -
*(For off-center mounting
on either rear corner of cart)*

Double T-slot -
*Interface Bracket Kit
ordered separately
(For center mounting
on back of cart)*



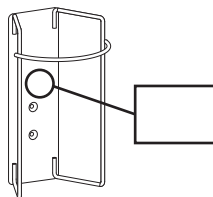
Follow instructions provided with the mounting brackets.



For service and warranty visit www.ergotron.com



NOTE: When contacting customer service, reference the serial number.



For local customer care phone numbers visit: <http://contact.ergotron.com>



© 2013 Ergotron, Inc.
All rights reserved.

While Ergotron, Inc. makes every effort to provide accurate and complete information on the installation and use of its products, it will not be held liable for any editorial errors or omissions (including those made in the process of translation from English to another language), or for incidental, special or consequential damages of any nature resulting from furnishing this instruction and performance of equipment in connection with this instruction. Ergotron, Inc. reserves the right to make changes in the product design and/or product documentation without notification to its users. For the most current product information, or to know if this document is available in languages other than those herein, please contact Ergotron. No part of this publication may be reproduced, stored in a retrieval system, or transmitted in any form or by any means, electronic, mechanical, photocopying, recording or otherwise without the prior written consent of Ergotron, Inc., 1181 Trapp Road, Eagan, Minnesota, 55121, USA. Patents Pending and Patented U.S. & Foreign. Ergotron is a registered trademark of Ergotron, Inc.

Americas Sales and Corporate Headquarters

St. Paul, MN USA
(800) 888-8458
+1-651-681-7600
www.ergotron.com
sales@ergotron.com

EMEA Sales

Amersfoort, The Netherlands
+31 33 45 45 600
www.ergotron.com
info.eu@ergotron.com

APAC Sales

Tokyo, Japan
www.ergotron.com
apaccustomerservice@ergotron.com

Worldwide OEM Sales

www.ergotron.com
info.oem@ergotron.com