

ST7200USBM

Mountable Rugged Industrial 7-Port USB2.0 Hub

Installation Guide

Packaging Contents

- 1 x ST7200USBM USB hub
- 1 x 2m Locking USB A-B cable
- 1 x Installation Guide

System Requirements

- USB enabled computer system with available port
- USB compliant operating system

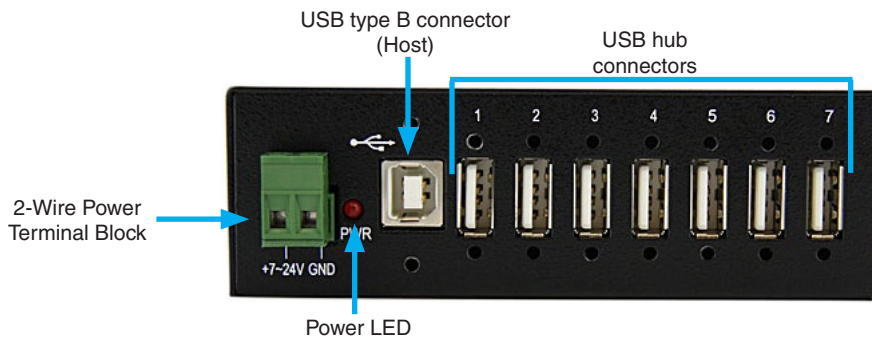
Specifications

Bus Interface	USB 2.0
Connectors	7 x USB type A female 1 x USB type B female 1 x 2-wire power terminal block
LEDs	1 x Power
Maximum Data Transfer Rate	USB 2.0: 480Mbps
Surge Protection	350W per port
Operating Temperature	0°C to 55°C (32°F to 131°F)
Storage Temperature	-20°C to 85°C (-4°F to 185°F)
Humidity	5 ~ 95% RH
Dimensions	133.0mm x 61.5mm x 36.3mm
Weight	500g

Installation

Connect the USB type B cable from the USB hub, to an available USB port on the host computer system. No driver installation is required, as a USB compliant operating system will automatically install it.

OPTIONAL: Power will be provided by the USB port on the host computer system, if additional power is required, an external power source can be connected to the USB hub via the 2-wire terminal block.



Warranty Information

This product is backed by a one year warranty.

In addition, StarTech.com warrants its products against defects in materials and workmanship for the periods noted, following the initial date of purchase. During this period, the products may be returned for repair, or replacement with equivalent products at our discretion. The warranty covers parts and labor costs only. StarTech.com does not warrant its products from defects or damages arising from misuse, abuse, alteration, or normal wear and tear.

Limitation of Liability

In no event shall the liability of StarTech.com Ltd. and StarTech.com USA LLP (or their officers, directors, employees or agents) for any damages (whether direct or indirect, special, punitive, incidental, consequential, or otherwise), loss of profits, loss of business, or any pecuniary loss, arising out of or related to the use of the product exceed the actual price paid for the product. Some states do not allow the exclusion or limitation of incidental or consequential damages. If such laws apply, the limitations or exclusions contained in this statement may not apply to you.