

GERMANY'S NO. 1\*  
PSU MANUFACTURER

be quiet!®



# PURE POWER 11

BEST COMBINATION OF FEATURES AT A VERY POPULAR PRICE

**700W CM • 600W CM • 500W CM • 400W CM**

## IDEAL APPLICATIONS

Silent PC builds  
Multi-GPU gaming  
Office applications  
Multimedia and home theater systems

## HIGHLIGHTS

80PLUS® Gold efficiency  
Multi-GPU support  
Stable operation  
Silence-optimized be quiet! fan

### Exceptionally Quiet, Superior Reliability, Great Value

Whether you're assembling a very quiet system, upgrading an existing PC, or building a multi-GPU gaming system, your build will benefit from this PSU that simply has the best combination of features at a very popular price.

#### Highlights »

- Two 12V-rails and up to four PCI-express connectors for powerful multi-GPU systems
- 80PLUS® Gold certification and up to 92% power conversion efficiency
- Exceptionally quiet operation thanks to use of a silence-optimized 120mm be quiet! fan
- Stable operation thanks to DC-to-DC power conversion technology
- Modular cable management simplifies component installation and reduces annoying clutter
- Fixed 24-pin and P8 cables with high-quality single layer sleeve
- Easy-to-use flat drives and PCIe cables offer more space for installation
- Top component protection with full suite of safety features
- Meets latest Intel® C6/C7, ErP and Energy Star guidelines
- 5-year manufacturer's warranty
- Product conception, design and quality control in Germany

#### Pure Power 11 CM »

Pure Power 11 CM offers peerless dependability and best-in-class features at a very popular price.

**+ CABLE MANAGEMENT**



\*According to the yearly PC Games Hardware's „Manufacturer of the year“ election (2006-2017) and market data from GfK (2007-2018)

# PURE POWER 11

BEST COMBINATION OF FEATURES AT A VERY POPULAR PRICE

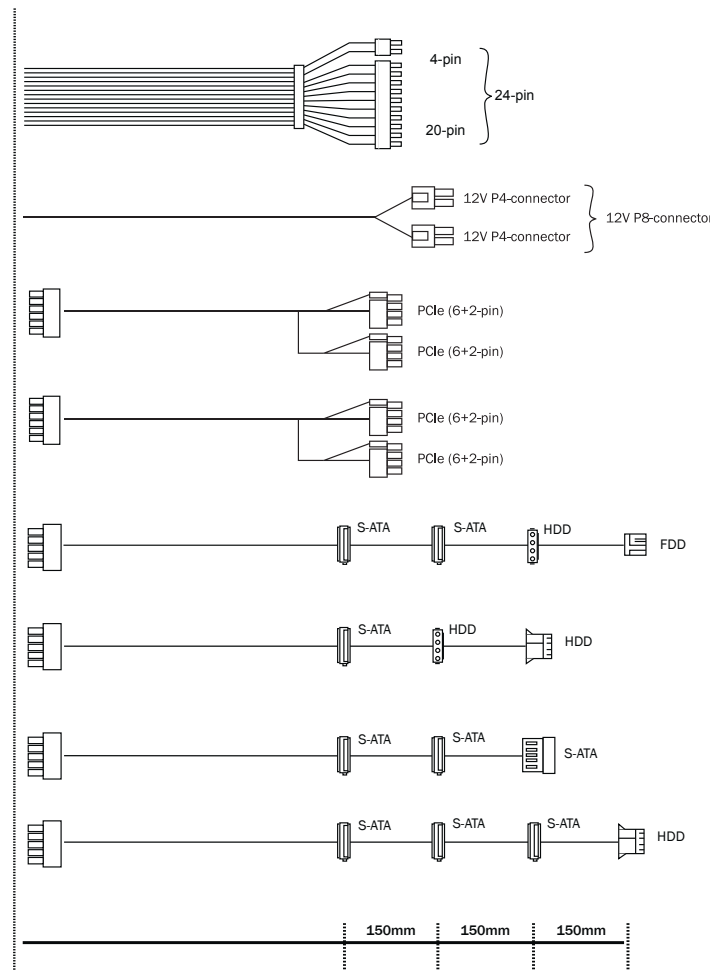
Technical Data »					
IN GENERAL	Model	700W	600W	500W	400W
	Article no.	BN299	BN298	BN297	BN296
	EAN code	4260052186404	4260052186398	4260052186381	4260052186374
	Voltage (Vac) / Frequency (Hz)	100-240 / 50-60	100-240 / 50-60	100-240 / 50-60	100-240 / 50-60
	ATX 12V 2.4 / EPS 12V 2.92	✓ / ✓	✓ / ✓	✓ / -	✓ / -
	Dimensions (L x W x H)	160 x 150 x 86	160 x 150 x 86	160 x 150 x 86	160 x 150 x 86
	High-quality fan (mm)	120	120	120	120
	Noise level (dB(A)) at 20 / 50 / 100% load	11.2 / 11.5 / 24.6	9.2 / 9.4 / 19.9	9.0 / 9.3 / 18.8	9.4 / 9.9 / 13.9
	Efficiency (%) at 230V	up to 92	up to 92	up to 92	up to 92
	12V-rails	2	2	2	2
	Active PFC	✓	✓	✓	✓
	OCP, OVP, UVP, SCP, OPP, OTP	✓	✓	✓	✓
	Certifications	80PLUS® Gold	80PLUS® Gold	80PLUS® Gold	80PLUS® Gold
	Energy Star 6.0 compatible	✓	✓	✓	✓
	ErP 2014 ready / Power in stand-by (W)	✓ / 0.13	✓ / 0.21	✓ / 0.19	✓ / 0.21
Lifetime of PSU at 25°C (h)	100,000	100,000	100,000	100,000	
CABLES	No. of cables	7	7	7	5
	Maximum cable length (cm)	95	95	95	90
	Length of ATX-connection cable (cm)	55	55	55	45
	Modular cable management	✓	✓	✓	✓
	Sleeved cables	✓	✓	✓	✓
	Flat cables	PCIe, drives	PCIe, drives	PCIe, drives	PCIe, drives
CONNECTORS	ATX-mainboard (20+4-pin)	✓	✓	✓	✓
	PCI-express (6+2-pin)	4	4	2	2
	P8-/P4-connector	1x P4+4	1x P4+4	1x P4+4	1x P4+4
	S-ATA (5-pin)	6	6	6	5
	P-ATA (4-pin)	3	3	3	2
	Easy-plug HDD connectors	✓	✓	✓	✓
	Floppy	1	1	1	1

Output Data »											
PURE POWER 11 700W CM	AC Input	100-240Vac		50-60Hz		10-5A					
	DC Output	3.3V	5V	12V1	12V2	-12V	5VSB				
	Max. Current	25A	20A	36A	30A	0.3A	3A				
	Max. Combined Power	150W		672W		3.6W	15W	700W			
PURE POWER 11 500W CM	AC Input	100-240Vac		50-60Hz		8-5A					
	DC Output	3.3V	5V	12V1	12V2	-12V	5VSB				
	Max. Current	24A	15A	28A	20A	0.3A	3A				
	Max. Combined Power	120W		480W		3.6W	15W	500W			
PURE POWER 11 600W CM	AC Input	100-240Vac		50-60Hz		8-5A					
	DC Output	3.3V	5V	12V1	12V2	-12V	5VSB				
	Max. Current	25A	18A	32A	28A	0.3A	3A				
	Max. Combined Power	140W		576W		3.6W	15W	600W			
PURE POWER 11 400W CM	AC Input	100-240Vac		50-60Hz		6-4A					
	DC Output	3.3V	5V	12V1	12V2	-12V	5VSB				
	Max. Current	24A	15A	24A	20A	0.3A	3A				
	Max. Combined Power	120W		384W		3.6W	15W	400W			

# PURE POWER 11

BEST COMBINATION OF FEATURES AT A VERY POPULAR PRICE

Cables »



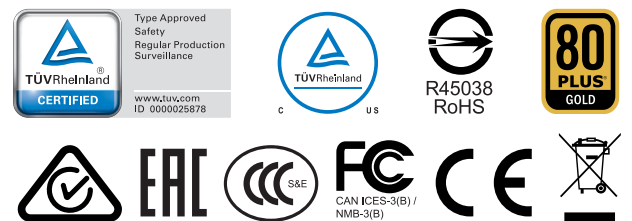
	700W CM	600W CM	500W CM	400W CM
ATX Power Connector	550mm	550mm	550mm	450mm
12V P8 Connector	600mm	600mm	600mm	600mm
PCIe (6+2-pin) Connector	500mm 2x	500mm 2x	500mm	500mm
SATA Configuration 1	500mm*	500mm*	500mm*	450mm*
SATA Configuration 2	500mm*	500mm*	500mm*	-
SATA Configuration 3	500mm*	500mm*	500mm*	-
SATA Configuration 4	-	-	-	450mm*

\*cable length to first connector

Logistics data »

Region	Model	Article no	EAN code
EU	Pure Power 11 400W CM	BN296	4260052186374
EU	Pure Power 11 500W CM	BN297	4260052186381
EU	Pure Power 11 600W CM	BN298	4260052186398
EU	Pure Power 11 700W CM	BN299	4260052186404
US	Pure Power 11 500W CM	BN628	4260052186565
US	Pure Power 11 600W CM	BN629	4260052186572
JP	Pure Power 11 400W CM	BN870	4260052186633
JP	Pure Power 11 500W CM	BN871	4260052186640
JP	Pure Power 11 600W CM	BN875	4260052186657
JP	Pure Power 11 700W CM	BN876	4260052186664
AU	Pure Power 11 700W CM	BN903	4260052186701
CN	Pure Power 11 400W CM	BN908	4260052186756
CN	Pure Power 11 500W CM	BN909	4260052186763
CN	Pure Power 11 600W CM	BN910	4260052186770
CN	Pure Power 11 700W CM	BN911	4260052186787

Certifications »



Contact »

be quiet! Headquarters  
Listan GmbH  
Biedenkamp 3A  
21509 Glinde  
Germany

Service hotline: +49 40 7367 686 44  
(mon. - fri., 9am to 5.30pm CET)

e-mail: [service@bequiet.com](mailto:service@bequiet.com)  
Visit the contact section on [bequiet.com](http://bequiet.com)  
for the right regional service information.