

☆☆☆  
PROFESSIONAL



## 2-Hole Antenna Socket Single (2.5 dB)

This single socket is suitable for use with CATV, MATV, broadband cable and SAT systems. The socket was designed for TV and radio reception and can only be used as a single socket. Thanks to a special clamping

technique, the cable connections do not have to be screwed together.



### ARTICLE INFORMATION

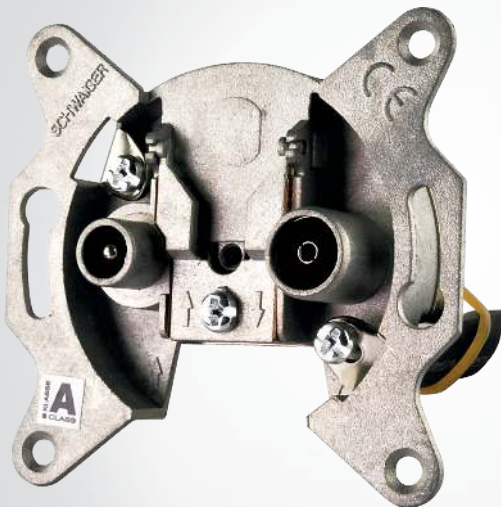
Article Nr  
EAN

DSE 531  
4004005503616



4 004005 503616

Last updated: 23.03.2016

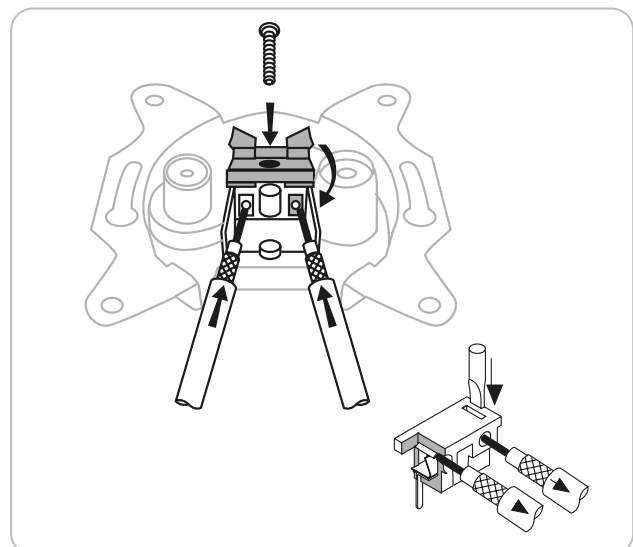


## FEATURES (DSE 531)

- clamping technology for screwless fastening of the inner conductor
- clamping technology for screwless fastening of the inner conductor (Ø 0.8 - 1.3 mm)
- Normen, siehe Konformitätserklärung (Support & Service)

## TECHNICAL DATA

|                     |                                           |
|---------------------|-------------------------------------------|
| quality             | ** Professional                           |
| Norm/Classification | class A                                   |
| Connections         | 1x IEC jack<br>1x IEC connector           |
| Frequency range     | 5 - 2150 MHz (TV)<br>5 - 2150 MHz (radio) |
| Isolation           | > 22 dB (TV / radio)                      |
| Tap loss            | 8 dB (radio)<br>2,5 dB (TV)               |
| Mounting depth      | 22 mm                                     |
| Material of product | aluminium die cast corrosion-protected    |
| Dimensions (width)  | 70 mm                                     |
| Dimensions (height) | 66 mm                                     |
| packaging           | sealed blister SBL07                      |



Last updated: 23.03.2016