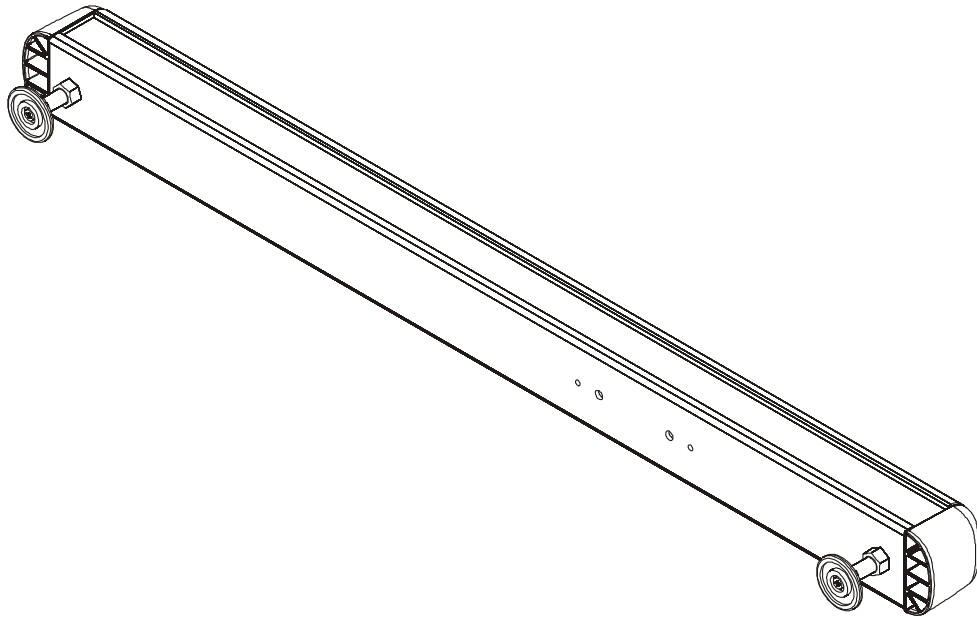

INSTALLATION INSTRUCTIONS




Leveling Feet Accessory


DISCLAIMER


Milestone AV Technologies and its affiliated corporations and subsidiaries (collectively "Milestone"), intend to make this manual accurate and complete. However, Milestone makes no claim that the information contained herein covers all details, conditions or variations, nor does it provide for every possible contingency in connection with the installation or use of this product. The information contained in this document is subject to change without notice or obligation of any kind. Milestone makes no representation of warranty, expressed or implied, regarding the information contained herein. Milestone assumes no responsibility for accuracy, completeness or sufficiency of the information contained in this document.


Chief® is a registered trademark of Milestone AV Technologies. All rights reserved.


IMPORTANT SAFETY INSTRUCTIONS!


 **WARNING:** A WARNING alerts you to the possibility of serious injury or death if you do not follow the instructions.


 **CAUTION:** A CAUTION alerts you to the possibility of damage or destruction of equipment if you do not follow the corresponding instructions.


 **WARNING:** Failure to read, thoroughly understand, and follow all instructions can result in serious personal injury, damage to equipment, or voiding of factory warranty! It is the installer's responsibility to make sure all components are properly assembled and installed using the instructions provided.


 **WARNING:** Failure to provide adequate structural strength for this component can result in serious personal injury or damage to equipment! It is the installer's responsibility to make sure the structure to which this component is attached can support five times the combined weight of all equipment. Reinforce the structure as required before installing the component.


 **WARNING:** Exceeding weight capacity can result in serious personal injury or damage to equipment! It is the installer's responsibility to make sure the combined weight of all components does not exceed the maximum allowable weight capacity of the mount to which this accessory is being installed. Consult Table 1 for mounting system's weight capacity details.

 **WARNING:** Exceeding the weight capacity can result in serious personal injury or damage to equipment! Using FCA776 instead of casters does not change the weight capacity listed for the mount. Consult Table 1 for mounting system's weight capacity details.

 **WARNING:** Use with displays weighing more than the maximum weight indicated in Table 1 may result in instability causing tip over resulting in death or serious injury.

 **WARNING:** Use this mounting system only for its intended use as described in these instructions. Do not use attachments not recommended by the manufacturer.

 **WARNING:** Never operate this mounting system if it is damaged. Return the mounting system to a service center for examination and repair.

 **WARNING:** Do not use this product outdoors.

NOTE: The FCA776 may be used with UL Listed LVM2X2U, LVM3X2U, LVM3X3U, LVM3X1UP, LVM2X2UP and LVM3X2UP.

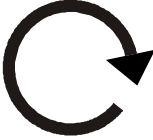

Table 1: Weight Capacities

MODEL	Max Weight Allowed for <u>EACH</u> Display	Max Weight Capacity of Mounting System
LVM2X2U	125 lbs (56.7 kg)	500 lbs (226.8 kg)
LVM3X2U	125 lbs (56.7 kg)	750 lbs (340.2 kg)
LVM3X3U	100 lbs (45.4 kg)	900 lbs (408.2 kg)
LVM3X1UP	125 lbs (56.7 kg)	375 lbs (170.1 kg)
LVM2X2UP	100 lbs (45.4 kg)	400 lbs (181.4 kg)
LVM3X2UP	100 lbs (45.4 kg)	600 lbs (272.2 kg)

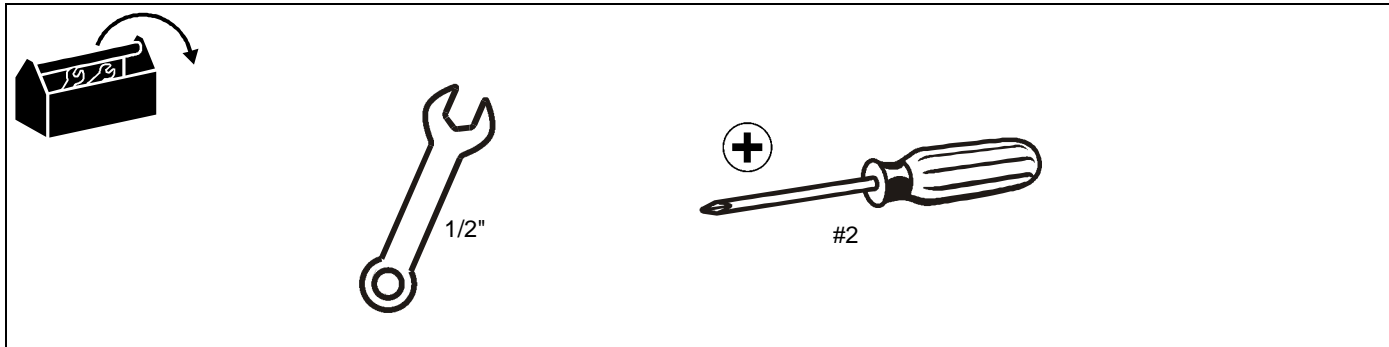
NOTE: The FCA776 has no user serviceable parts.

--SAVE THESE INSTRUCTIONS--

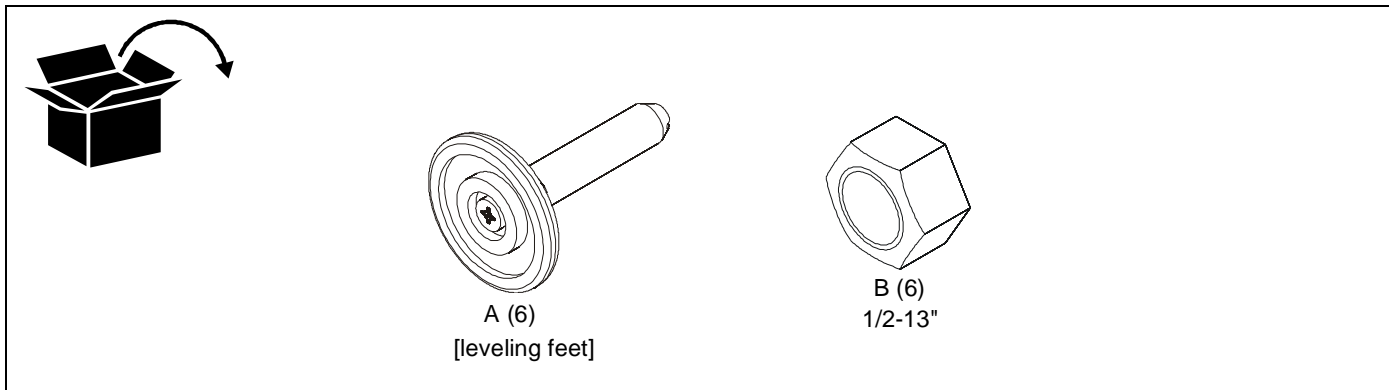
LEGEND

	Tighten Fastener		Loosen Fastener
	Apretar elemento de fijación		Aflojar elemento de fijación
	Befestigungsteil festziehen		Befestigungsteil lösen
	Apertar fixador		Desapertar fixador
	Serrare il fissaggio		Allentare il fissaggio
	Bevestiging vastdraaien		Bevestiging losdraaien
Serrez les fixations	Desserrez les fixations		

TOOLS REQUIRED FOR INSTALLATION



PARTS



ASSEMBLY

IMPORTANT ! : The FCA776 leveling feet are designed specifically for Chief's UL Listed LVM Series Video Wall Carts. Do not attempt to use FCA776 feet with any other product!

1. Using a wrench, loosen the bolts and remove the four or six casters currently installed on the LVM cart. (See Figure 1)

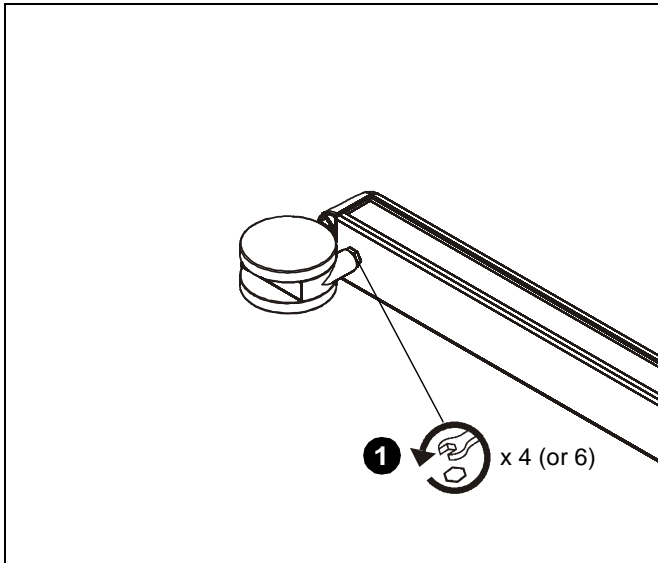


Figure 1

2. Thread 1/2-13" hex nuts (B) onto leveling feet (A), if using leveling feature. (See Figure 2)

NOTE: If no leveling is required or desired, feet may be installed directly to legs without hex nuts.

3. Install leveling feet (A) into mounting holes on bottom of LVM mount where casters were previously installed. (See

Figure 2)

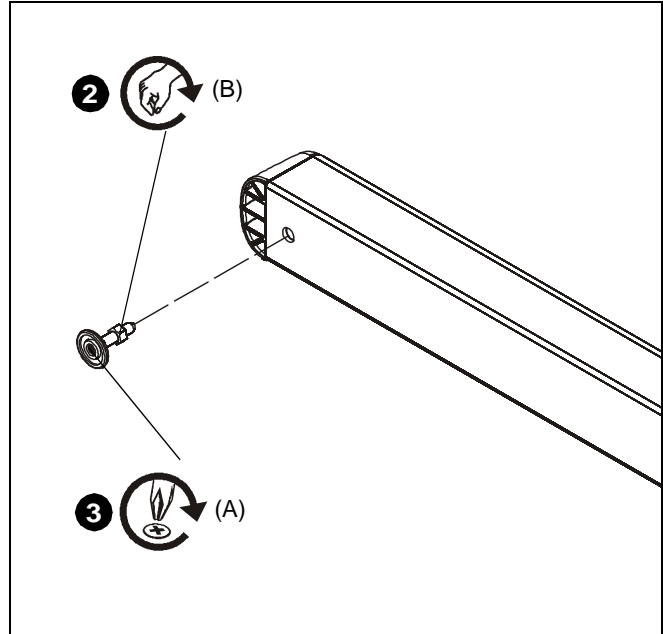


Figure 2

NOTE: If not leveling with hex nuts, tighten feet so that the feet are flush with the bottom of the legs of cart. (See Figure 3)

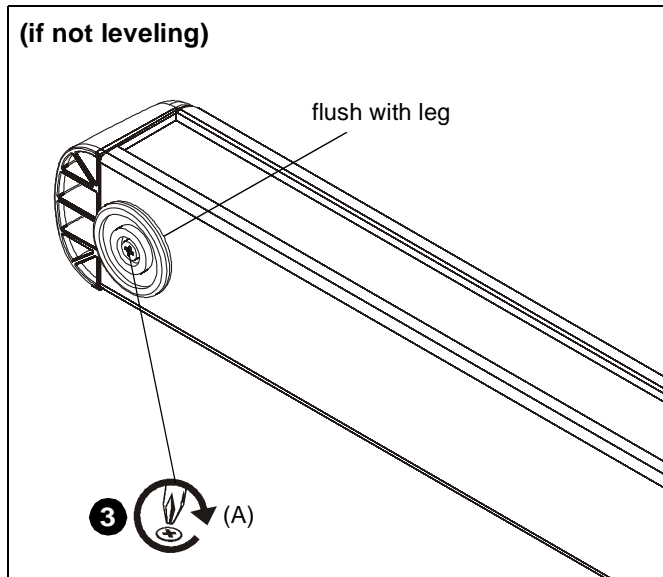


Figure 3

4. After all feet (A) have been installed, use hex nuts (B) to adjust height level of each leg. (See Figure 4)

IMPORTANT ! : Hex nuts (B) must be flush with bottom of the legs of cart! (See Figure 4)

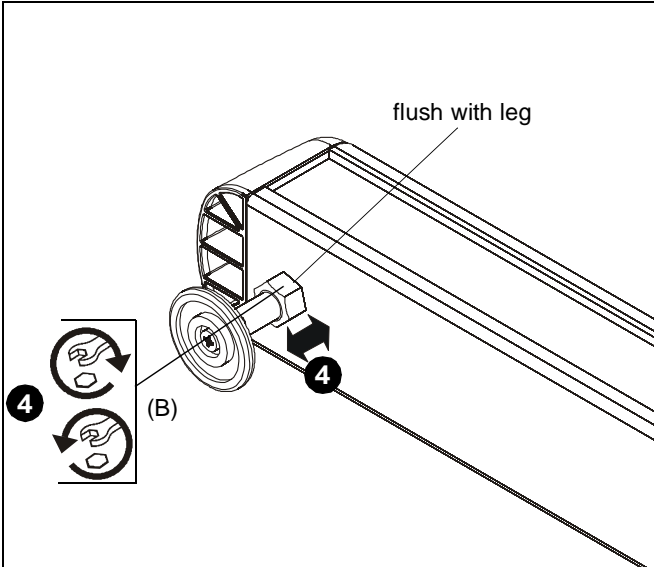


Figure 4

- 5. Complete installation following LVM Series mount installation instructions.



Our Mounts. **Your Vision.**

Chief Manufacturing, a products division
of Milestone AV Technologies

8800-002420 Rev00

©2013 Milestone AV Technologies, a
Duchossois Group Company
www.chiefmfg.com
05/13

USA/International	A 6436 City West Parkway, Eden Prairie, MN 55344
	P 800.582.6480 / 952.225.6000
	F 877.894.6918 / 952.894.6918
Europe	A Franklinstraat 14, 6003 DK Weert, Netherlands
	P +31 (0) 495 580 852
	F +31 (0) 495 580 845
Asia Pacific	A Office No. 1 on 12/F, Shatin Galleria 18-24 Shan Mei Street Fotan, Shatin, Hong Kong
	P 852 2145 4099
	F 852 2145 4477

