

## Single Or Tap Line Socket (2.5 dB)

with clamping technology

This SCHWAIGER® single or terminal socket is suitable for use with single, community, broadband cable and satellite systems. It is designed for reception of TV and radio signals and can only be used as a single socket. Due to a special clamping technology, the cable connections do not have to be screwed.



### ARTICLE INFORMATION

Article Nr  
EAN

DSE20S 011  
4004005200003



Last updated: 23.03.2016

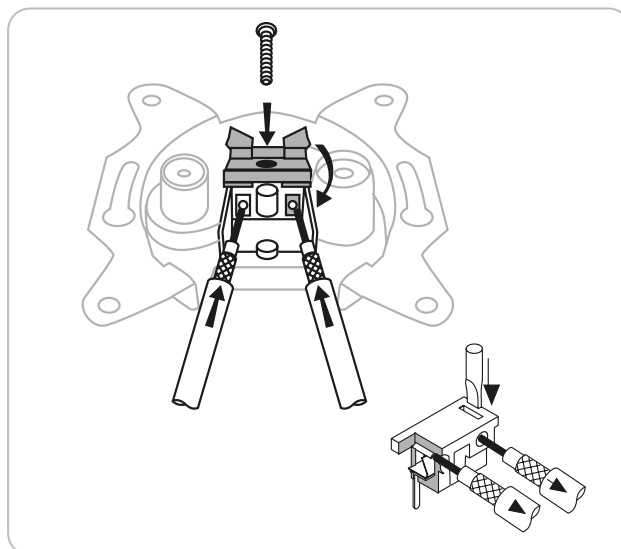


## FEATURES (DSE20S 011)

- hinged clamp for fastening of the outer conductor (max 7.5 mm)
- clamping technology for screwless fastening of the inner conductor (Ø 0.8 - 1.3 mm)
- crimping fastener for plaster inserts (55mm)
- Normen, siehe Konformitätserklärung (Support & Service)

## TECHNICAL DATA

Norm/Classification	class A
Connections (input)	1x detachable contact clamping spring
Connections (output)	1x IEC jack (radio) 1x IEC connector (TV)
Frequency range	4 - 2150 MHz
Isolation	> 22 dB (TV / radio)
Tap loss	8 dB (radio) 2,5 dB (TV)
Mounting depth	22 mm
Material of product	aluminium die cast corrosion-protected
packaging	carton



Last updated: 23.03.2016