

LogiLink®

Dual Motor Sit-Stand Desk Frame

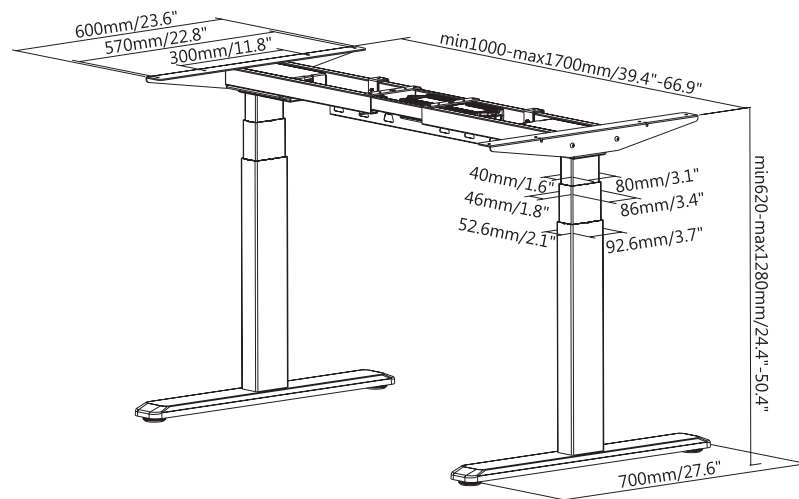
Art. No.: EO0001



Perfect sit-stand desk frame for office, school and home. Through digital control panel to adjust and save your desired height

Features:

- » Digital LED memory controller for customizable settings to your desired height
- » 2 motors offer heavier lifting ability and increased stability
- » 3 programmable memory presets save your desired height
- » Time reminder for regular movement
- » Collision avoidance system safeguards against accidents and injuries
- » Motors are thermal and overload protected for safety and longevity
- » 3 column stages offer more adjustability
- » Switched mode power supply for energy and power efficiency
- » Cable management keeps everything organized
- » Adjustable width fits a variety of desktop shapes and sizes



Specification:

Function	Electric Sit-Stand Desk Frame
Motor Quantity	2
Material	Steel
Color	Black



* The specifications and pictures are subject to change without notice.
* All trade names referenced are the registered namework of their respective owners.

Made in China

LogiLink®

Dual Motor Sit-Stand Desk Frame

Art. No.: EO0001



Height Range	620-1280mm (24.4"-50.4")
Width Range	1000-1700mm (39.4"-66.9")
Column Segments	3
Column Size	40 x 80 / 46 x 86 / 52.6 x 92.6mm
Product Dimension	1000 x 700 x 620mm (39.4" x 27.6" x 24.4")
Suggest Tabletop Size	1100-2200 x 700-1000mm (43.3"-86.6" x 27.6"-39.4")
IP Grade	IP20
Operating Temperature	-5°C~+40°C
Weight Capacity Range	100kg (220lbs)
Max. Speed	38mm/s
Power Input	100-240V



Made in China



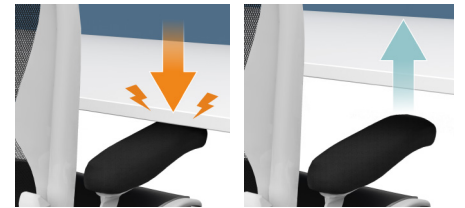
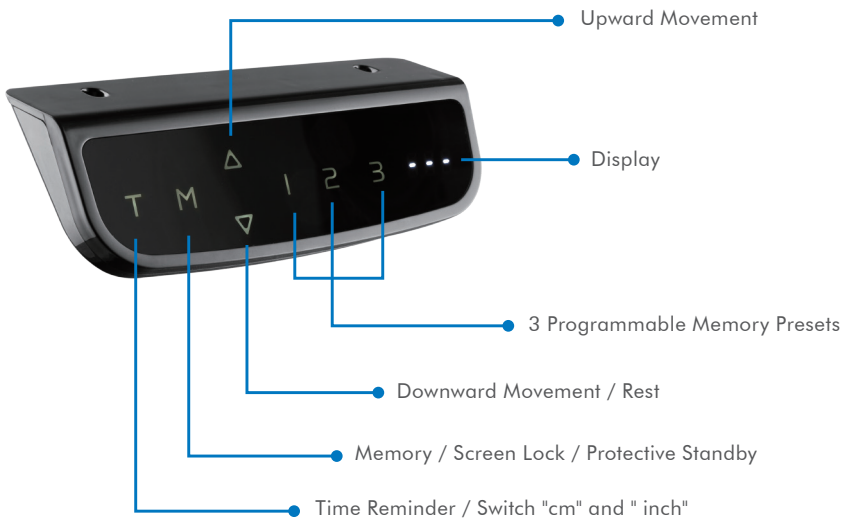
* The specifications and pictures are subject to change without notice.
* All trade names referenced are the registered namework of their respective owners.

Best Connectivity

LogiLink®

Dual Motor Sit-Stand Desk Frame

Art. No.: EO0001



Safety Collision Avoidance System
If the desk hits an object, it will move in the opposite direction upward (downward) for about 30mm.

Package Contents:

- » 1 x Dual Motor Sit-Stand Desk Frame
- » 1 x Digital Control Panel
- » 1 x Screw Pack
- » 1 x User Manual

Package Informations:

- » Packing Dimension: mm
- » Packing Weight: kg
- » Carton Dimension: mm
- » Carton Q'ty: pcs
- » Carton Weight: kg



EO0001



4 052792 047646

Made in China



RoHS
compliant



* The specifications and pictures are subject to change without notice.
* All trade names referenced are the registered network of their respective owners.

Best Connectivity