



Art No. NBS004 zu NBS008

Heavy Duty Security Cable with 4-Dial Combination Lock

Specification:

- NoteGuard Security Cable
- Designed to secure most Notebooks, Projectors & LCD & Plasma Screens
- Easy to install
- Ideal theft deterrent
- Color: Black, White, Blue, Pink, Silver

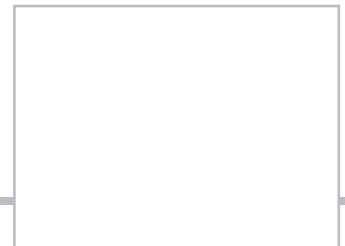
Package Contents:

- 1 x SecurityCable with 4-Dial Combination Lock

Model Name	Color	EAN Code
NBS004	Black	4052792000566
NBS005	White	4052792000573
NBS006	Blue	4052792000580
NBS007	Pink	4052792000597
NBS008	Silver	4052792000603

Packaging Information:

- Packing Dimension: mm
- Packing Weight: kg
- Carton Dimension: mm
- Carton Q'ty: pcs
- Carton Weight: kgs



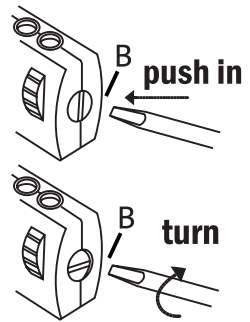


Art No. NBS004 zu NBS008

Heavy Duty Security Cable with 4-Dial Combination Lock

Reset Combination:

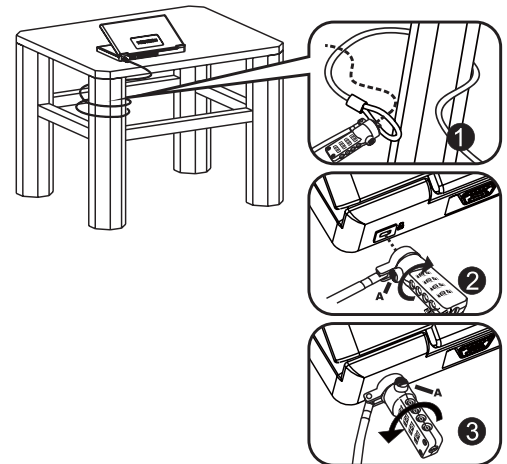
1. The pre-set combination is 0-0-0-0.
2. In order to set your own combination, hold the lock and using a small flat-head screwdriver or similar object, push in (B) and rotate the reset screw 90° clockwise so that the screw's groove appears horizontal, then reset your own new combination.
3. Then rotate the reset screw 90° counter clock wise back to its original vertical position to save the new combination.
4. Record the combination in either the space provided at the end of this guide or another secure, easy-to-find place.



Testing the Combination:

Before attaching the lock to your Notebook computer.

1. Turn the dials to disguise the combination.
2. Return to the combination you set.
3. Check that locking button depresses completely.



STEP 1:

Loop the cable around a secure object.

STEP 2:

Insert the lock into the computer slot then rotate (closewise) the lock to 90°. Release button (A) and mix number combination.

STEP 3:

To open the lock, please use your own combination and press button (A) then rotate (anti-closewise) the lock to 90° to open the lock.