



Cat.6A Desktop/Wall Patch Panel

Technical Features

Category 6A 10G Class EA 500 MHz

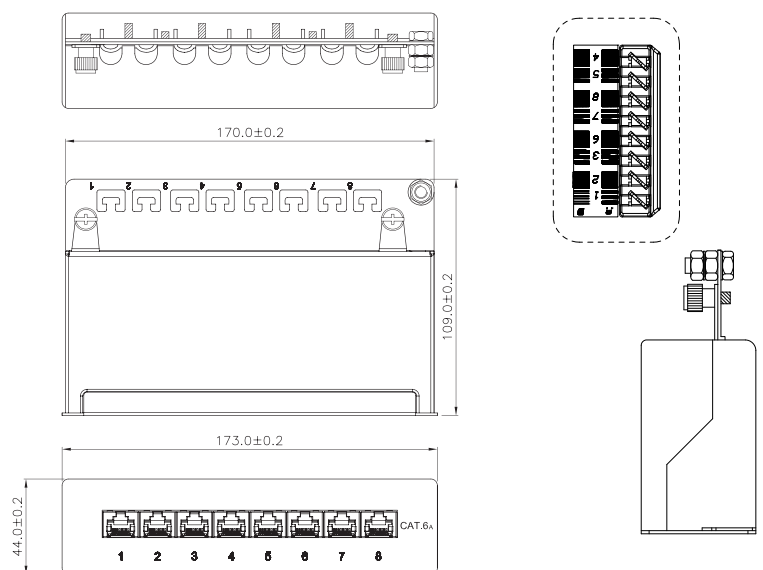
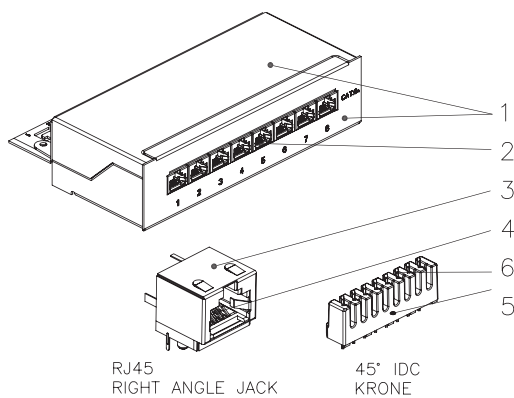
ISO/IEC 11801 and TIA/EIA 568C.2

8 or 12 shielded RJ45 jacks

Steel housing, RAL 7035 light grey

Technical Drawings

NP0018



www.logilink.de



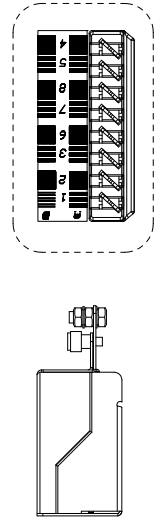
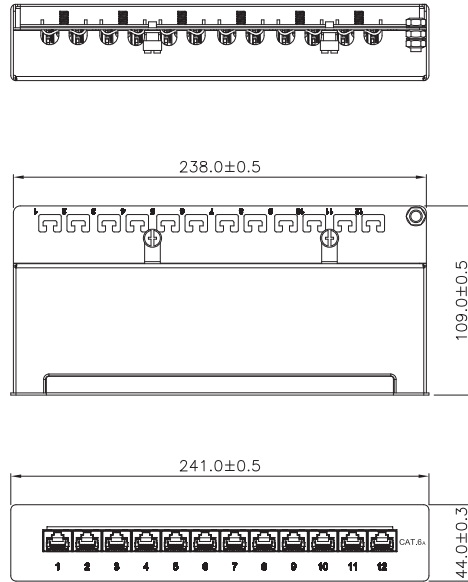
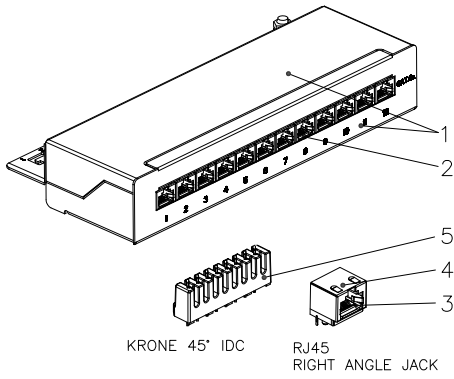
RoHS
compliant



Made in China

* The specifications and pictures are subject to change without notice.
*All trade names referenced are the registered trademark of their respective owners.

NP0019



Part no.	Ports	EAN Code
NP0018	8Ports	4052792027747
NP0019	12Ports	4052792027754

Package Contents

Cat.6A Desktop/Wall Patch Panel x 1

Packaging Informations (NP0018)

Packing Dimension	220 x 137 x 55mm
Packing Weight	0.68kg
Carton Dimension	450 x 290 x 290mm
Carton Q'ty	20pcs
Carton Weight	14.4kg

Packaging Informations (NP0019)

Packing Dimension	275 x 137 x 55mm
Packing Weight	0.88kg
Carton Dimension	570 x 290 x 290mm
Carton Q'ty	20pcs
Carton Weight	18.5kg

