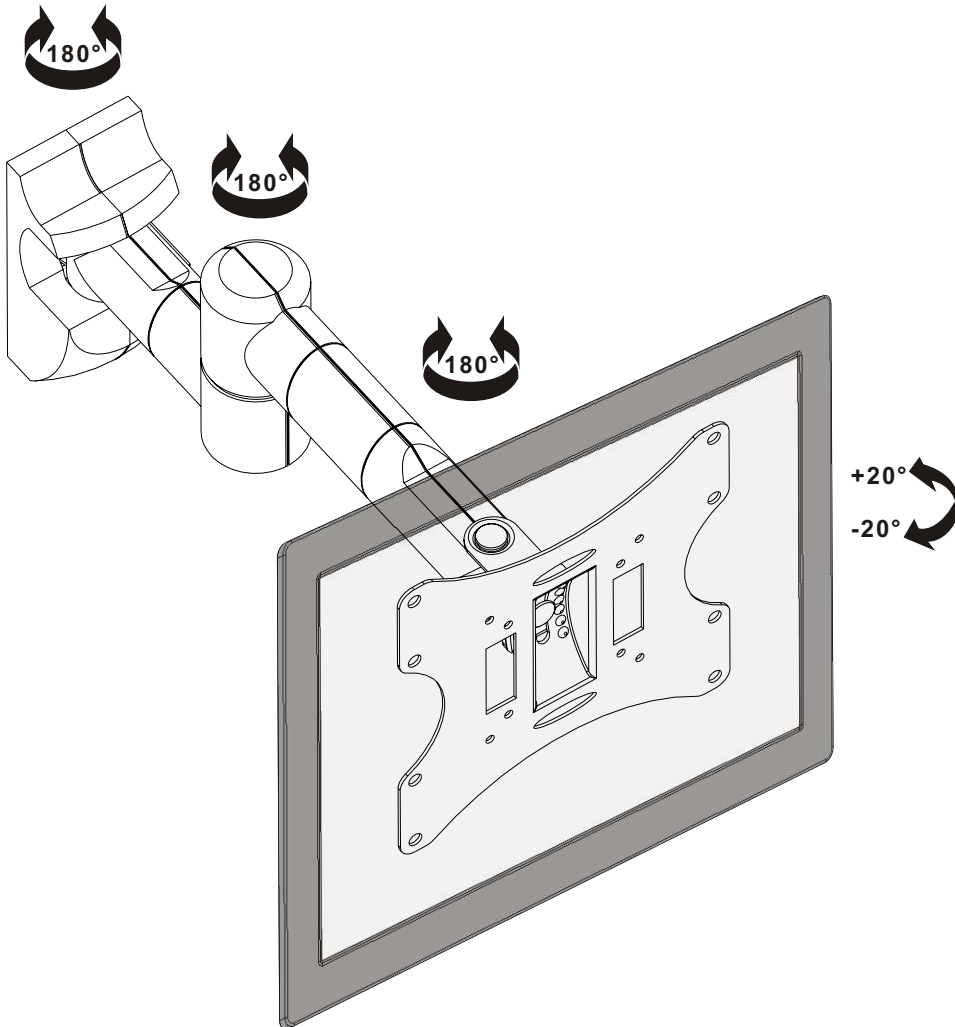


reflecta gmbh
 Merkurstrasse 8
 72184 Eutingen i.G.
 Germany

mail@reflecta.de
 www.reflecta.de

INSTALLATION MANUAL

5. Adjustment

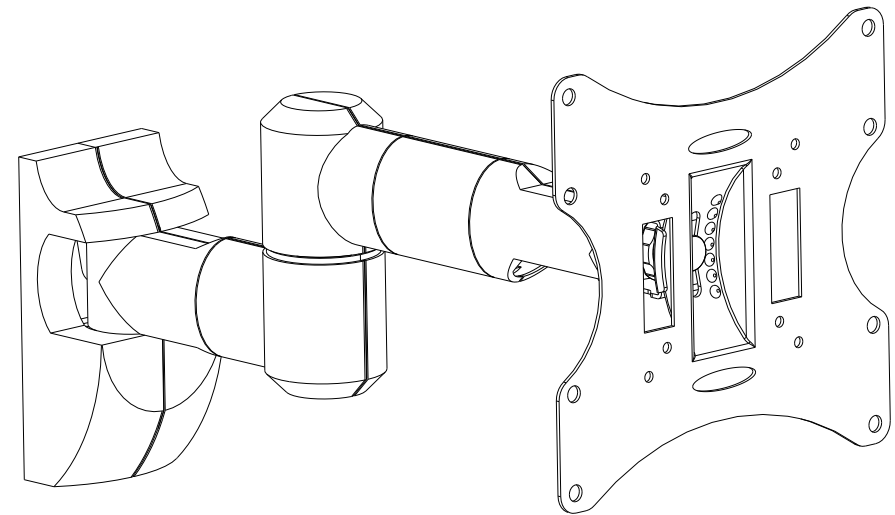


Use the tilt adjusting knob to adjust your display to the desired angle then tighten it.

Maintenance

- Check that the bracket is secure and safe to use at regular intervals(at least every three months).
- Please contact your dealer if you have any questions.

Full Motion LED, LCD TV Wall Mount



CAUTION: DO NOT EXCEED
 RATED LISTED WEIGHT. SERIOUS
 INJURY OR PROPERTY DAMAGE
 MAY OCCUR!

23109



75x75/100x100
 200x100/200x200

23112

42"
 MAX

30kg
 (66lbs)
 RATED

ISSUED: FEB. 2013

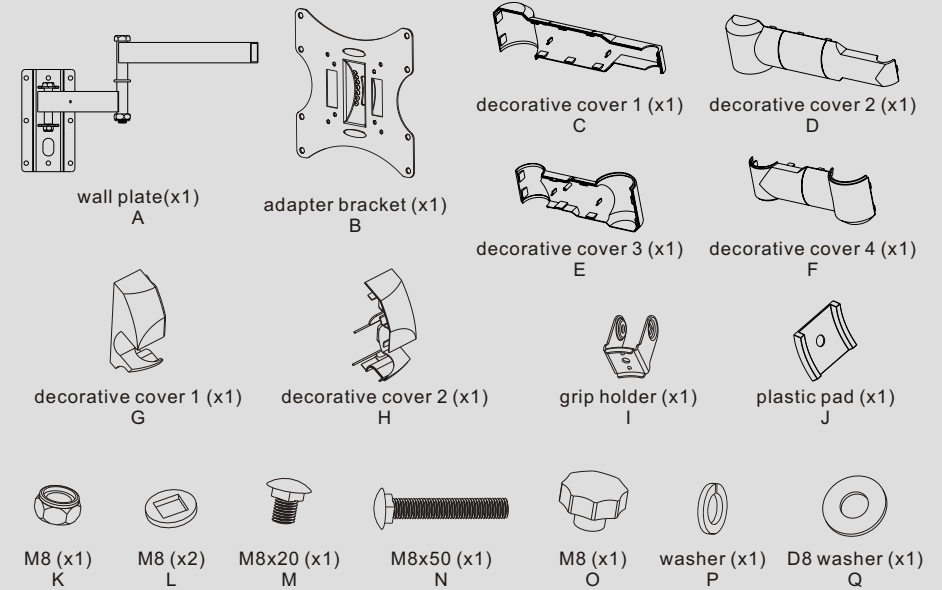
NOTE: Read the entire instruction manual before you start installation and assembly.

WARNING

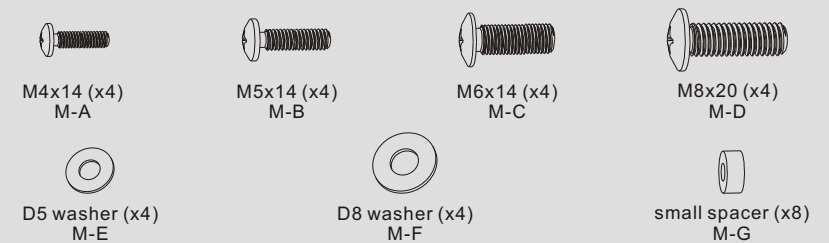
- Do not begin the installation until you have read and understood all the instructions and warnings contained in this installation sheet. If you have any questions regarding any of the instructions or warnings, please contact your local distributor.
- This mounting bracket was designed to be installed and utilised ONLY as specified in this manual. Improper installation of this product may cause damage or serious injury.
- This product should only be installed by someone with good mechanical ability who has basic building experience and fully understands this manual.
- Make sure that the supporting surface will safely support the combined weight of the equipment and all attached hardware and components.
- If mounting to wood wall studs, make sure that mounting screws are anchored into the center of the studs. The use of a stud finder is highly recommended.
- Always use an assistant or mechanical lifting equipment to safely lift and position the equipment.
- Tighten screws firmly, but do not over tighten. Over tightening can cause damage to the items, This greatly reduces their holding power.
- This product is intended for indoor use only. Using this product outdoors could lead to product failure and personal injury.

Component Checklist

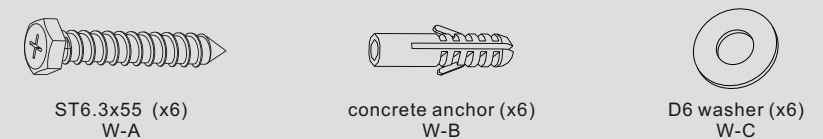
IMPORTANT: Ensure that you have received all parts according to the component checklist prior to installation. If any parts are missing or faulty, telephone your local distributor for a replacement.



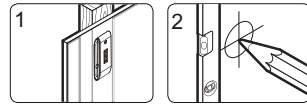
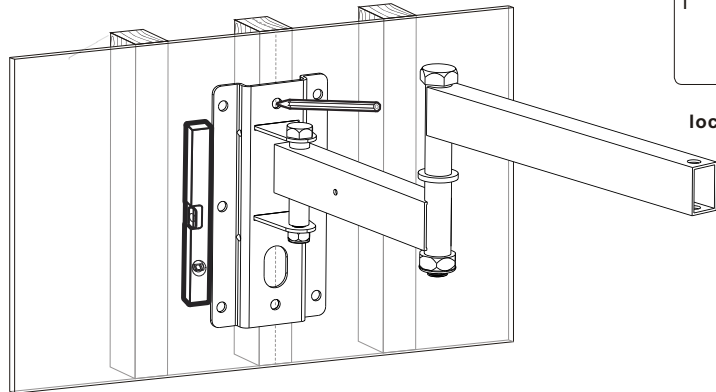
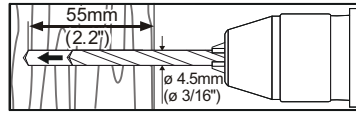
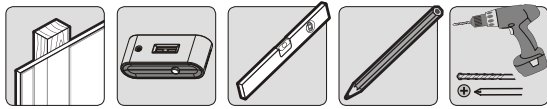
Package M



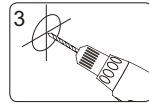
Package W



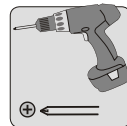
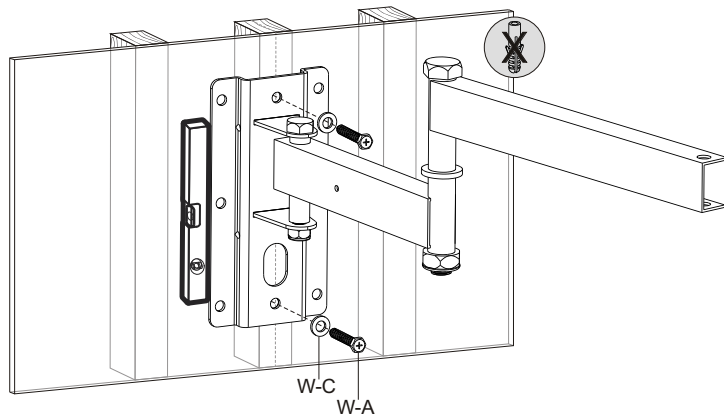
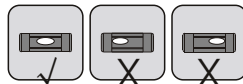
1a. For Wood Stud Wall Mounting



1
2
Find and mark the exact location of mounting holes



3
Drill pilot holes

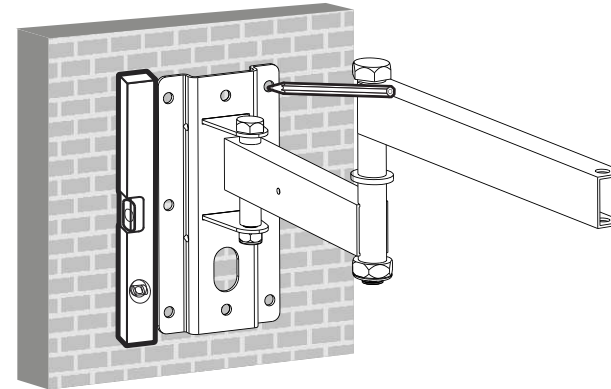
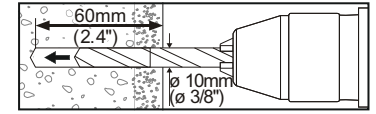
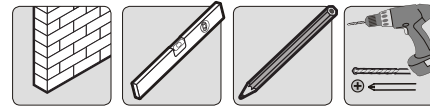


Screw the wall plate onto the wall

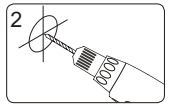
⚠ WARNING

- Make sure that mounting screws are anchored into the center of the studs. The use of a stud finder is highly recommended.
- Installers are responsible to provide hardware for other types of mounting situations.
- Installers must verify that the supporting surface will safely support the combined weight of the equipment and all attached hardware and components.

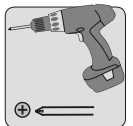
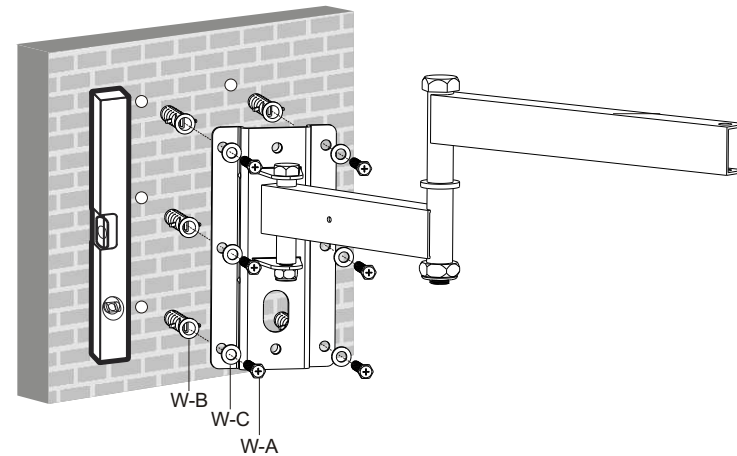
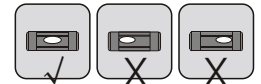
1b. For Solid Brick and Concrete Mounting



1
Mark the exact location of mounting holes



2
Drill pilot holes

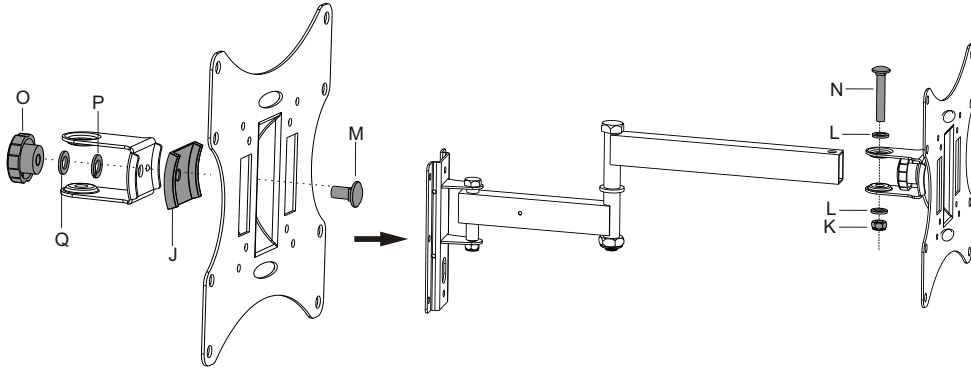


Screw the wall plate onto the wall

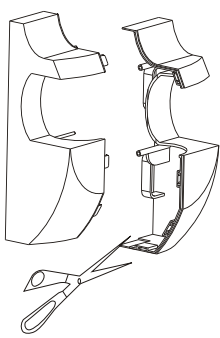
⚠ WARNING

Installer must verify that the supporting surface will safely support the combined weight of the equipment and all attached hardware and components.

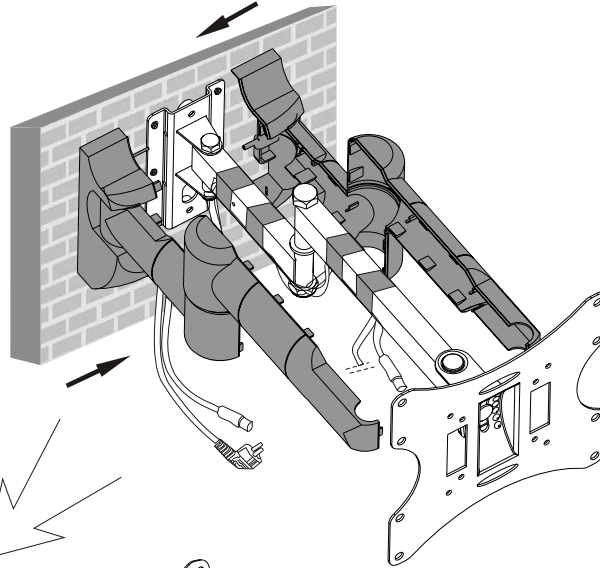
2. Assembling the Adapter Bracket



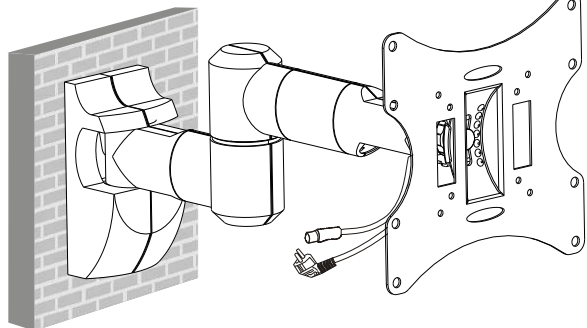
3. Cable Management and Decorative Covers Mounting



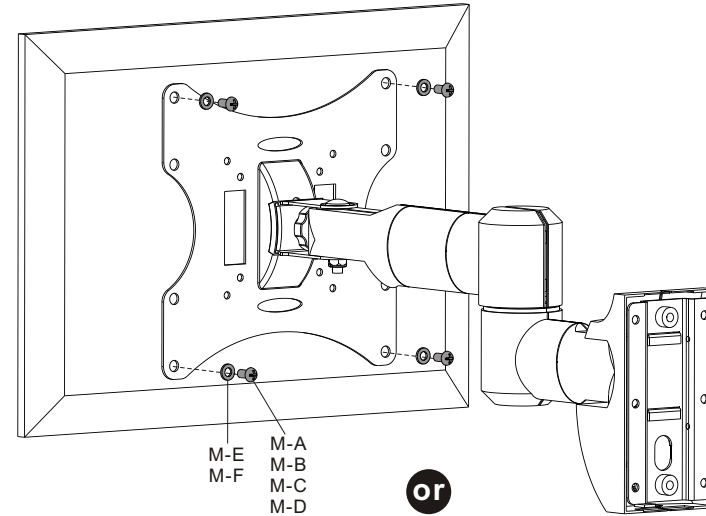
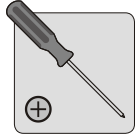
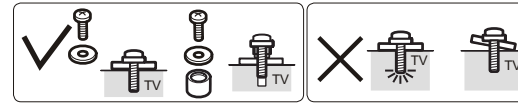
Cut off the corner of the decorative cover for the cable management.



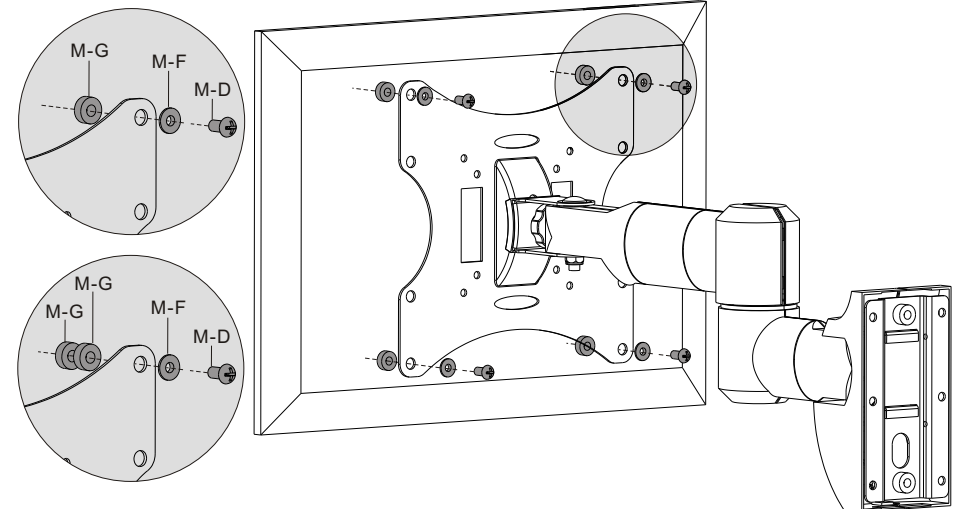
Run the power cable through the gap on the decorative cover and then install decorative covers.



4. Installing the Display



or



Note: Choose the appropriate screws, washers and spacers (if necessary) according to the type of screen.
 • Lift the display and match the holes on your display with the holes on the mount. Secure your display to the mount by tightening screws.

⚠ Tighten all screws but do not over tighten.