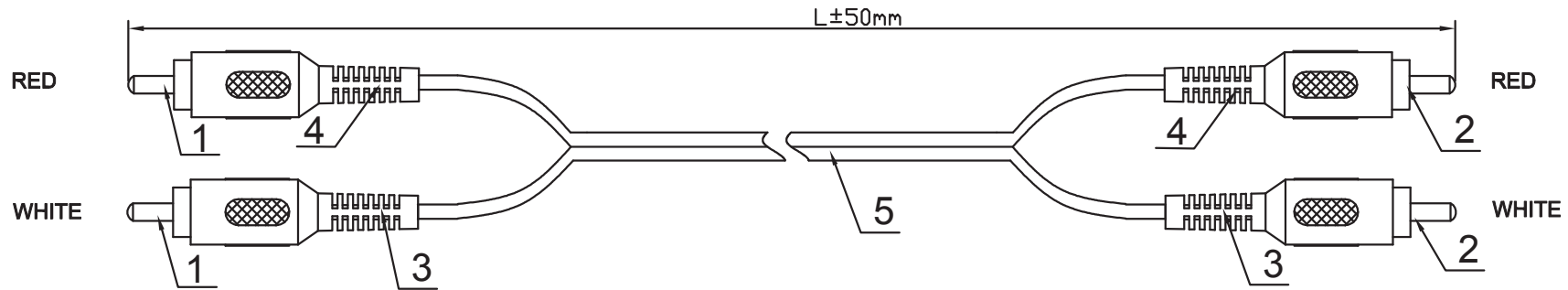
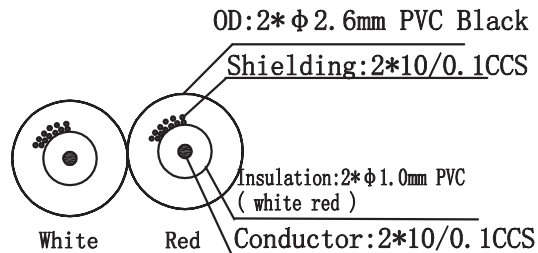


FILE AMEND NOTE	DATE	REV.
ORIGINAL EDITION	2012/10/24	A/0

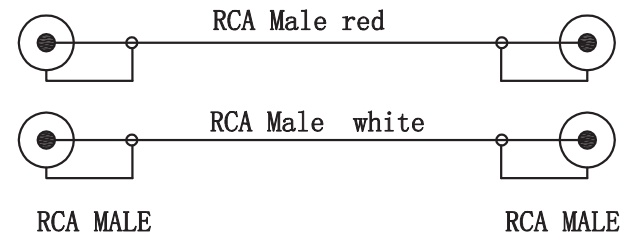


NO.	ITEM NO.	EAN CODE:	L
1	CA1039	4052792008739	2,5m
2	CA1040	4052792008746	5,0m

SPECIFICATION



WIRING DIAGRAM



NOTE:

Electrical test
100% open short & miss wire test;

MATERIAL LIST

⑦	PRINTING			
⑥	POLY BAG	PE, COLOR: TRANSPARENT	1	
⑤	CABLE	2C AV CABLE Cold Black	L	
④	MOLD HOOD	PVC 45P Color Red	1	
③	MOLD HOOD	PVC 45P Color White	1	
②	CONNECTOR	RCA Male Nickel Plated	1	
①	CONNECTOR	RCA Male Nickel Plated	1	
No.	PART NAME	DESCRIPTION	QTY	REMARK

NOTE:

1. TESTING: 100% OPEN AND SHORT AND MISWIRE TEST.
2. INSULATION RESISTANCE: 100Meg Ohm.
3. WITHSTAND VOLTAGE: 500 VOLTS RMS, 1 MINUTE.
4. OPERATING TEMPERATURE RANGE: -20! TO + 75! .
5. 100% RoHS COMPLIANT.

DRAW No.	NAME	Audio cable, 2X2Cinch male		
CUSTOMER	2direct GmbH	MAPE	TOLERANCE	
CUSTOMER No.			X. 1.00	X.X 0.50
APPROVE BY	CHECK BY	DRAW BY	SCALE	MM
			PAGE	1/2

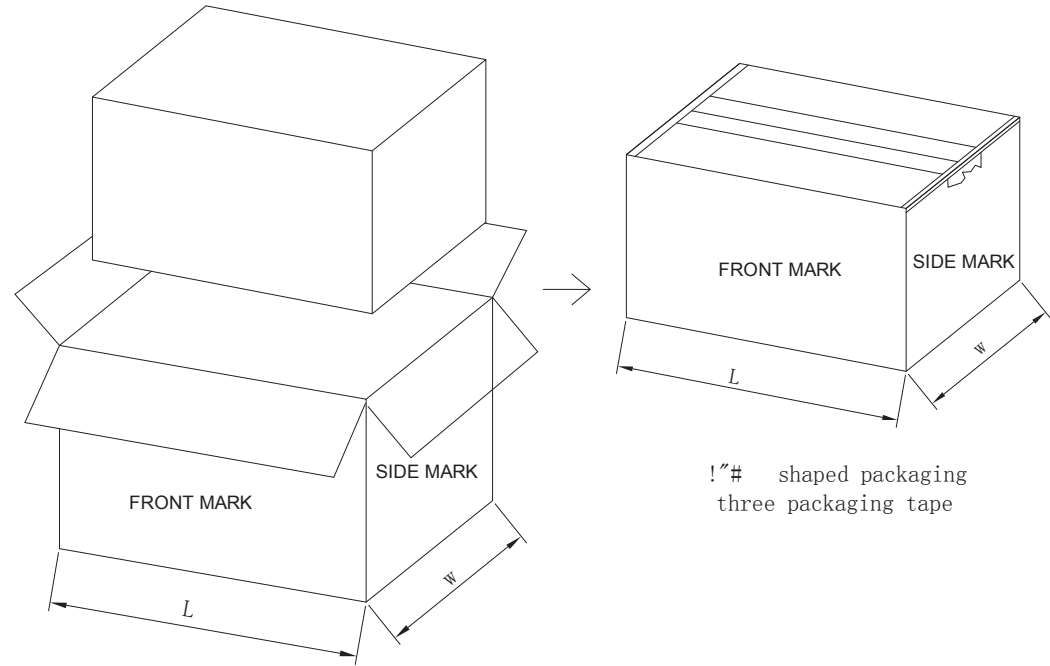
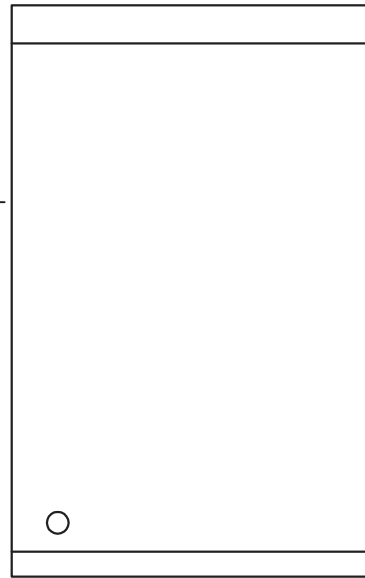
FILE AMEND NOTE	DATE	REV.
ORIGINAL EDITION	2012/10/24	A/0

PACKING DRAW



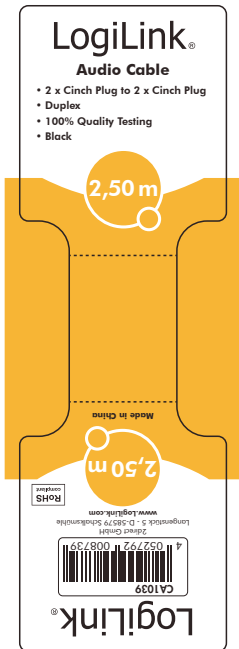
1PCS/BAG

⑥

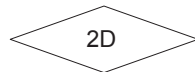


!~# shaped packaging
three packaging tape

STICKER



OUTER CARTON
FRONT MARK:



GERMANY
C/NO.:DW 01,02...
MADE IN CHINA

OUTER CARTON
SIDE MARK:

PO NO.:
ITEM NO.:
Q TY: PCS
N.W: KGS
G.W: KGS
Dimension:
EAN CODE:

NOTE:

Electrical test
100% open short & miss wire test;

DRAW No.		NAME	Audio cable, 2X2Cinch male	
CUSTOMER	2direct GmbH		MAPE	TOLERANCE
CUSTOMER No.			X. 1.00	X.X 0.50
APPROVE BY	CHECK BY	DRAW BY	SCALE	MM
			PAGE	2/2

No.	PART NAME	DESCRIPTION	QTY	REMARK
-----	-----------	-------------	-----	--------

Pantone 1235C, Black
Size: 48x150 mm R= 2mm
材質: 80P銅版紙, 上亮PPI(光膜)