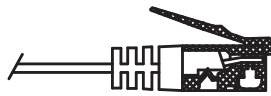
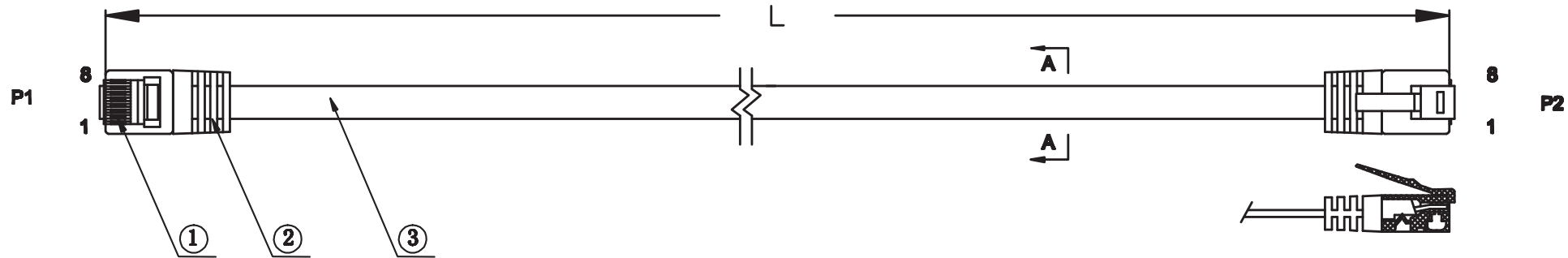
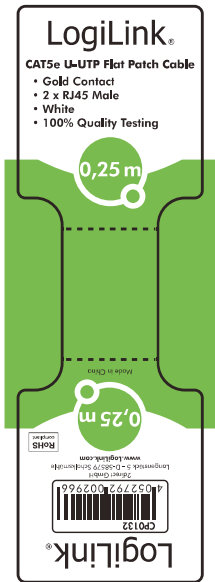


FILE AMEND NOTE	DATE	REV.
ORIGINAL EDITION	2012/05/24	A0



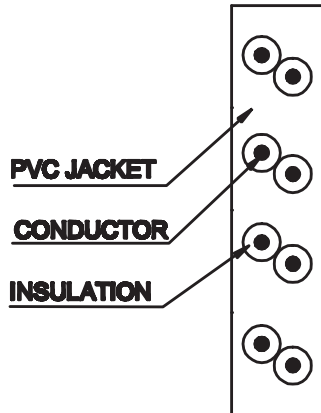
STICKER



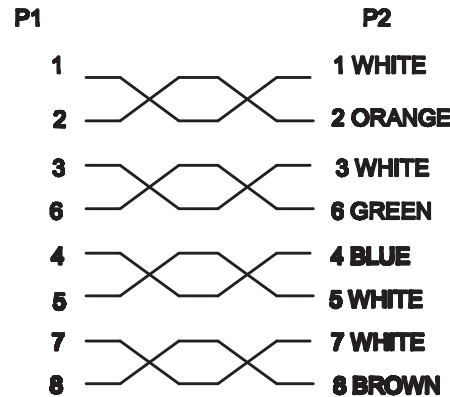
NOTE:

**Electrical test:
100% open short & miss wire test;**

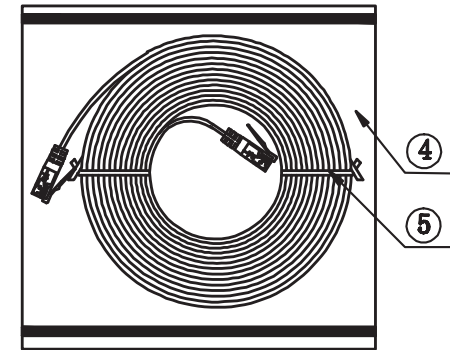
A - A
10: 1



PIN OUT



PACKING DRAW:



NO.	ITEM NO.	EAN CODE:	L
1	CP0132	4052792002966	0.25M
2	CP0133	4052792002973	0.5M
3	CP0134	4052792002980	1M
4	CP0135	4052792002997	2M
5	CP0136	4052792003000	3M
6	CP0137	4052792003017	6M
7	CP0138	4052792003024	7.5M
8	CP0139	4052792003031	10M
9	CP0140	4052792003048	15M
10	CP0141	4052792003055	20M

DRAW No.		NAME	CAT5e U-UTP Flat Patch Cable	
CUSTOMER	2direct GmbH		MAPE	TOLERANCE
CUSTOMER No.				X. ±1.00 X.X ±0.50
APPROVE BY	CHECK BY	DRAW BY	SCALE	MM
			PAGE	1/1

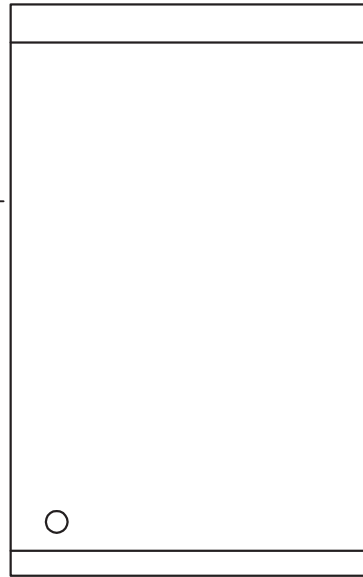
FILE AMEND NOTE	DATE	REV.
ORIGINAL EDITION	2012/05/23	A/0

PACKING DRAW#

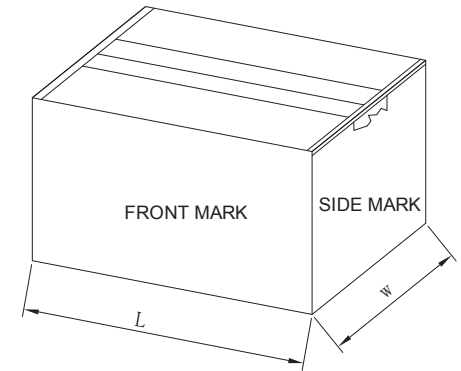
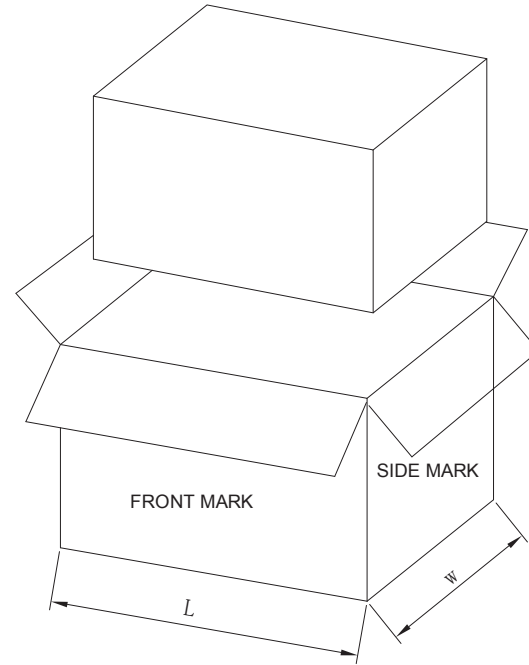


1PCS/BAG

④



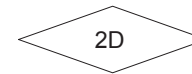
L \$ 10M
10PCS/ BIG BAG
L % 10M
5PCS/ BIG BAG




! " shaped packaging
three packaging tape

OUTER CARTON
FRONT MARK:

OUTER CARTON
SIDE MARK:



GERMANY
C/NO.: 01,02...
MADE IN CHINA

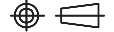
PO NO.:
ITEM NO.:
Q TY: PCS
N.W: KGS
G.W: KGS
Dimension:
EAN CODE: 

NOTE:

Electrical test#
100% open short & miss wire test;

MATERIAL LIST#

⑥	PRINTING	UTP CAT.5E PATCH CABLE		
⑤	MINI TIE		1	
④	POLY BAG	PE, COLOR: TRANSPARENT	1	
③	CABLE	FLAT UTP CAT.5 CABLE, 30AWG CCA*4PAIR+PVC, OD: 1.38*6.05!0.1mm, COLOR: WHITE	L	
②	MOLD HOOD	PVC, COLOR: WHITE	2	
①	CONNECTOR	CAT.5 RJ45 SHORT PLUG, UNSHIELD, 3U' GOLD PLATED PIN, COLOR: BLUE TRANSPARENT	2	
No.	PART NAME	DESCRIPTION	QTY	REMARK

DRAW No.	NAME	CAT5e U-UTP Flat Patch Cable		
CUSTOMER	2direct GmbH	MAPE	TOLERANCE	
CUSTOMER No.			X. 1.00	X.X 0.50
APPROVE BY	CHECK BY	DRAW BY	SCALE	MM
			PAGE	1/1