

## Cat.5e RJ45 Plug Connector, shielded

Part no.: MP0003

### Technical Features

CAT5e modular plug

Suitable for 8P8C round cables

Shielded plug

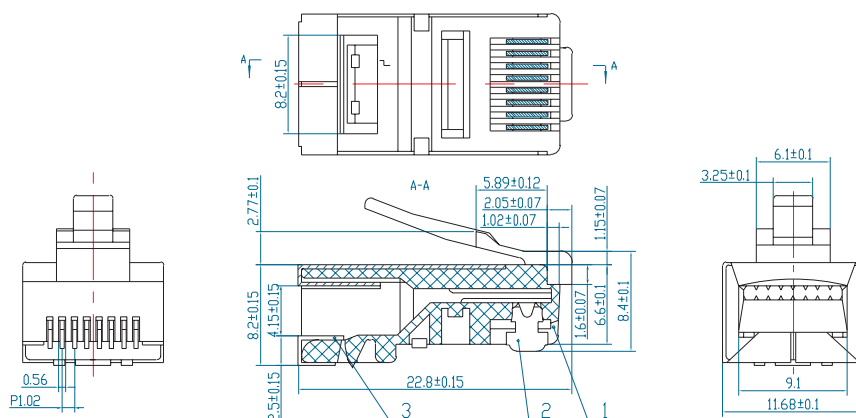
Gold-plated contacts

Diameter of conductor with insulation (PE): 0.85mm up to 0.97mm

Diameter of cable sheath: 4.8mm up to 5.8mm

Packaging unit: 100 pieces

### Technical Drawings



MP0003



4 052792 003833

Made in China

www.logilink.com



RoHS  
compliant



\* The specifications and pictures are subject to change without notice.  
\*All trade names referenced are the registered trademark of their respective owners.

## Package Contents

100pc x Cat.5e RJ45 plug connector

## Packaging Informations

|                   |                   |
|-------------------|-------------------|
| Packing Dimension | 180 x 220mm       |
| Packing Weight    | 0.24kg            |
| Carton Dimension  | 360 x 310 x 260mm |
| Carton Q'ty       | 50pcs             |
| Carton Weight     | 13kg              |

MP0003



Made in China



RoHS  
compliant



\* The specifications and pictures are subject to change without notice.  
\*All trade names referenced are the registered namework of their respective owners.