

FILE AMEND NOTE	DATE	REV.
ORIGINAL EDITION	2012/11/08	A/0

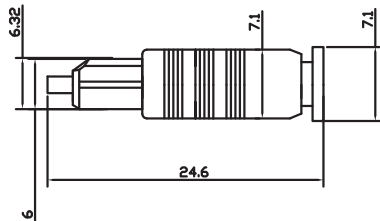
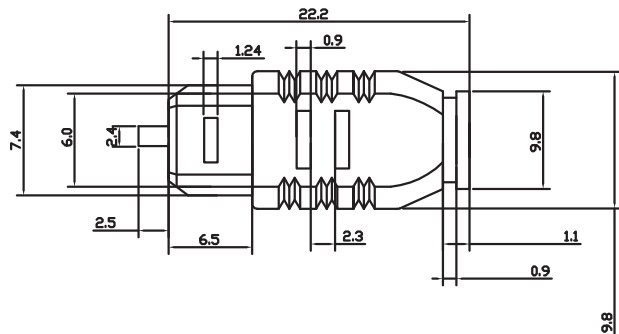
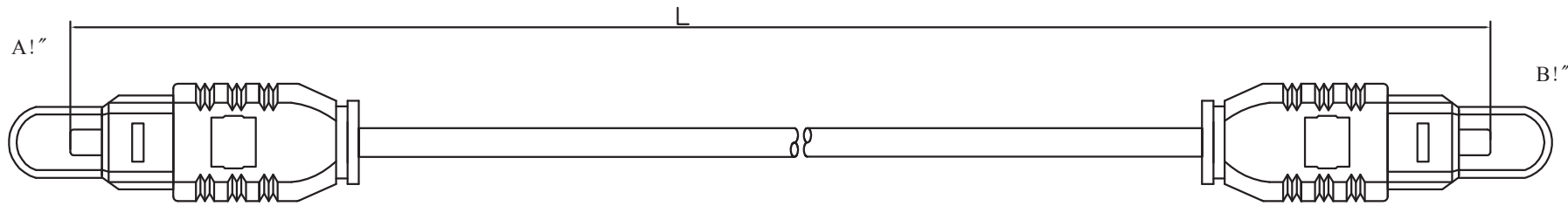


Chart A

- 1>. PLASTIC FIBER CORE(PMMA):OD=0.98mm
- 2>. CLAD(FLUORD PLYMER):OD=1.0mm
- 3>. PRIMARY JACKET PE, OD=2.2mm(BLACK)

NOTES:

2. Electronic Test:

- 1>. Insertion Loss:  $2.0\text{dB} \leq x \leq -2.0\text{dB}$   $L \leq 2\text{M}$ ; ADD  $0.2\text{dB/M}$ ,  $L > 2\text{M}$   
(Test BY  $650 \pm 30\text{nm}$  LED Light Source/Power Meter)
- 2>. Temperature Test:  $< 3.5\text{dB}$   
(Test BY  $-30^\circ\text{C}$  TO  $70^\circ\text{C}$  For 30 Minutes)
- 3>. Packing: Bulk

NO.	ITEM NO.	EAN CODE:	L
1	CA1008	4052792006490	2000 50mm
2	CA1009	4052792006506	3000 80mm
3	CA1010	4052792008364	5000 100mm

NOTES:

1. Cable Spec.:

Cable Specification See Chart A  
 Plastic Fiber Optical, Outer Jacket elasticity PE ( $-30^\circ\text{C} \sim 70^\circ\text{C}$ )  
 Black IN Color, OD =  $2.2 \pm 0.1\text{mm}$

DRAW No.		NAME	Audio cable, 2X Toslink male		
CUSTOMER		<b>2direct GmbH</b>	MAPE	TOLERANCE	
CUSTOMER No.				X. 1.00	X.X 0.50
APPROVE BY	CHECK BY	DRAW BY	SCALE	MM	
			PAGE	1/2	

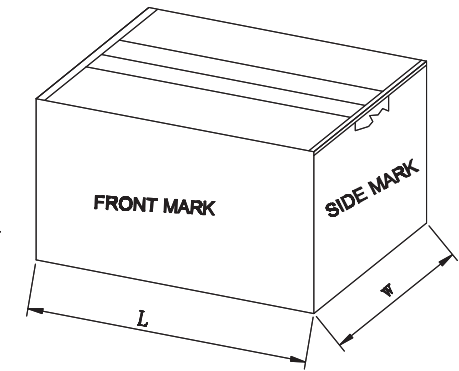
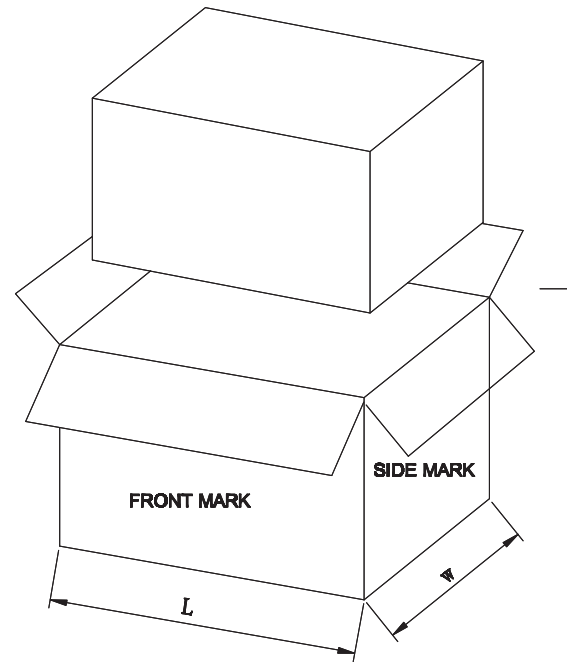
No.	PART NAME	DESCRIPTION	QTY	REMARK
-----	-----------	-------------	-----	--------

FILE AMEND NOTE	DATE	REV.
ORIGINAL EDITION	2012/10/24	A/0

**PACKING DRAW:**

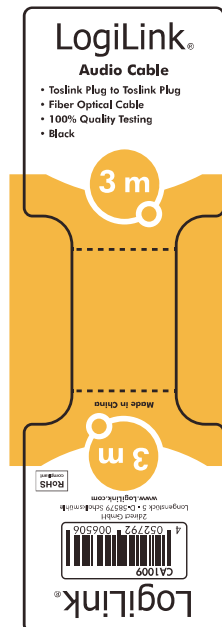


1PCS/BAG



"I" shaped packaging  
three packaging tape

**STICKER**



**OUTER CARTON  
FRONT MARK:**

**OUTER CARTON  
SIDE MARK:**

◇ 2D  
GERMANY  
C/NO.: 01,02...  
MADE IN CHINA

PO NO.:  
ITEM NO.:  
Q'TY: PCS  
N.W: KGS  
G.W: KGS  
Dimension:  
EAN CODE: 4250118567168

**NOTE:**

Electrical test:  
100% open short & miss wire test;

DRAW No.	NAME	Audio cable, 2X Toslink male		
CUSTOMER	2direct GmbH	MAPE	TOLERANCE	
CUSTOMER No.			X. ±1.00	X.X ±0.50
APPROVE BY	CHECK BY	DRAW BY	SCALE	MM
			PAGE	2/2

No.	PART NAME	DESCRIPTION	QTY	REMARK
-----	-----------	-------------	-----	--------