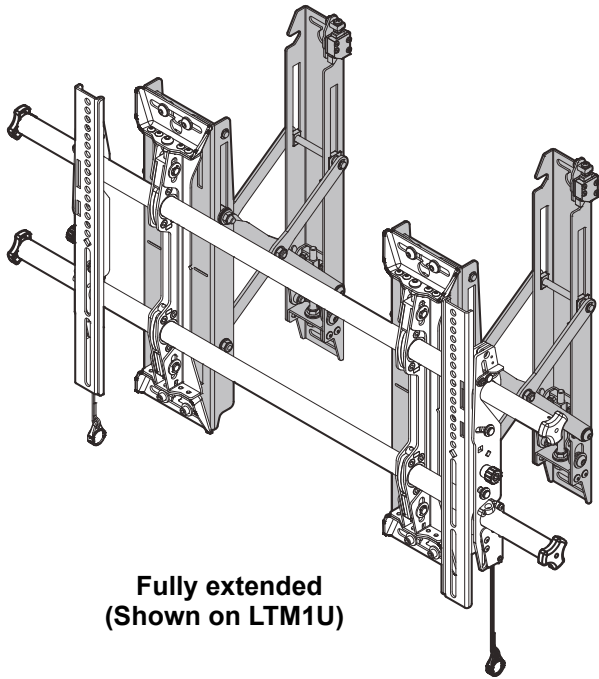
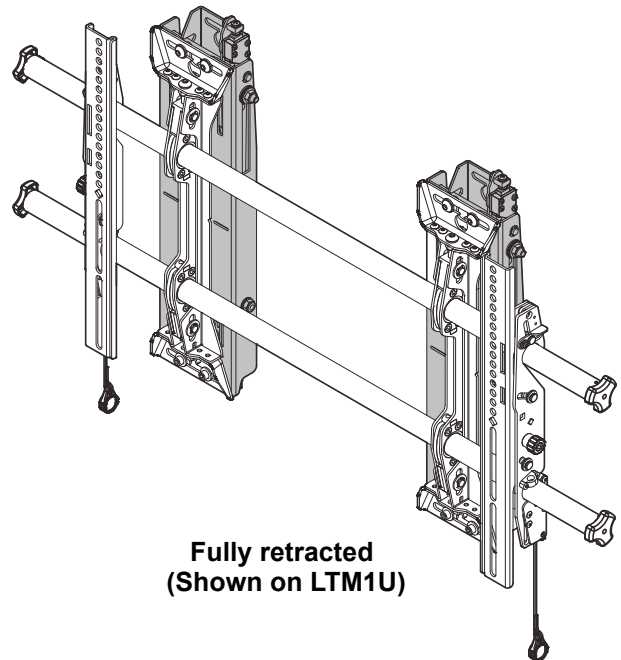

INSTALLATION INSTRUCTIONS



Fully extended
(Shown on LTM1U)



Fully retracted
(Shown on LTM1U)

Fusion Pull-Out Accessory

DISCLAIMER

Milestone AV Technologies and its affiliated corporations and subsidiaries (collectively "Milestone"), intend to make this manual accurate and complete. However, Milestone makes no claim that the information contained herein covers all details, conditions or variations, nor does it provide for every possible contingency in connection with the installation or use of this product. The information contained in this document is subject to change without notice or obligation of any kind. Milestone makes no representation of warranty, expressed or implied, regarding the information contained herein. Milestone assumes no responsibility for accuracy, completeness or sufficiency of the information contained in this document.

Chief® is a registered trademark of Milestone AV Technologies. All rights reserved.

DEFINITIONS

WARNING: A WARNING alerts you to the possibility of serious injury or death if you do not follow the instructions.


CAUTION: A CAUTION alerts you to the possibility of damage or destruction of equipment if you do not follow the corresponding instructions.


MOUNTING SYSTEM: A MOUNTING SYSTEM is the primary Chief product to which an accessory and/or component is attached.


ACCESSORY: AN ACCESSORY is the secondary Chief product which is attached to a primary Chief product, and may have a component attached or setting on it.

COMPONENT: A COMPONENT is an audiovisual item designed to be attached or resting on an accessory or mounting system such as a video camera, CPU, screen, display, projector, etc.

 **IMPORTANT SAFETY INSTRUCTIONS**

 **WARNING:** A WARNING alerts you to the possibility of serious injury or death if you do not follow the instructions.

 **CAUTION:** A CAUTION alerts you to the possibility of damage or destruction of equipment if you do not follow the corresponding instructions.

 **WARNING:** Failure to read, thoroughly understand, and follow all instructions can result in serious personal injury, damage to equipment, or voiding of factory warranty! It is the installer's responsibility to make sure all products are properly assembled and installed using the instructions provided.





 **WARNING:** Exceeding the weight capacity can result in serious personal injury or damage to equipment! Adding the FCAV1U accessory may change the weight capacity listed for the mounting system. Consult (Table 1) for mounting system's weight capacity details when attached to FCAV1U.

Table 1: Weight Capacity When Attached to FCAV1U

MODEL	Maximum Weight Allowed
MTM1U	125 lbs (56.7 kg)
MSM1U	125 lbs (56.7 kg)
MTMP1U	125 lbs (56.7 kg) mounted to single 2"x4" wood stud 150 lbs (68.0 kg) mounted to double 2"x4" wood studs
LTM1U	150 lbs (68.0 kg)
LSM1U	150 lbs (68.0 kg)
XSM1U	150 lbs (68.0 kg)
XTM1U	150 lbs (68.0 kg)

 **WARNING:** Use this accessory only for its intended use as described in these instructions. Do not use attachments not recommended by the manufacturer.

 **WARNING:** Never operate this accessory if it is damaged. Return the accessory to a service center for examination and repair.

 **WARNING:** Do not use this product outdoors.

IMPORTANT ! : The FCAV1U accessory is designed to be mounted to:

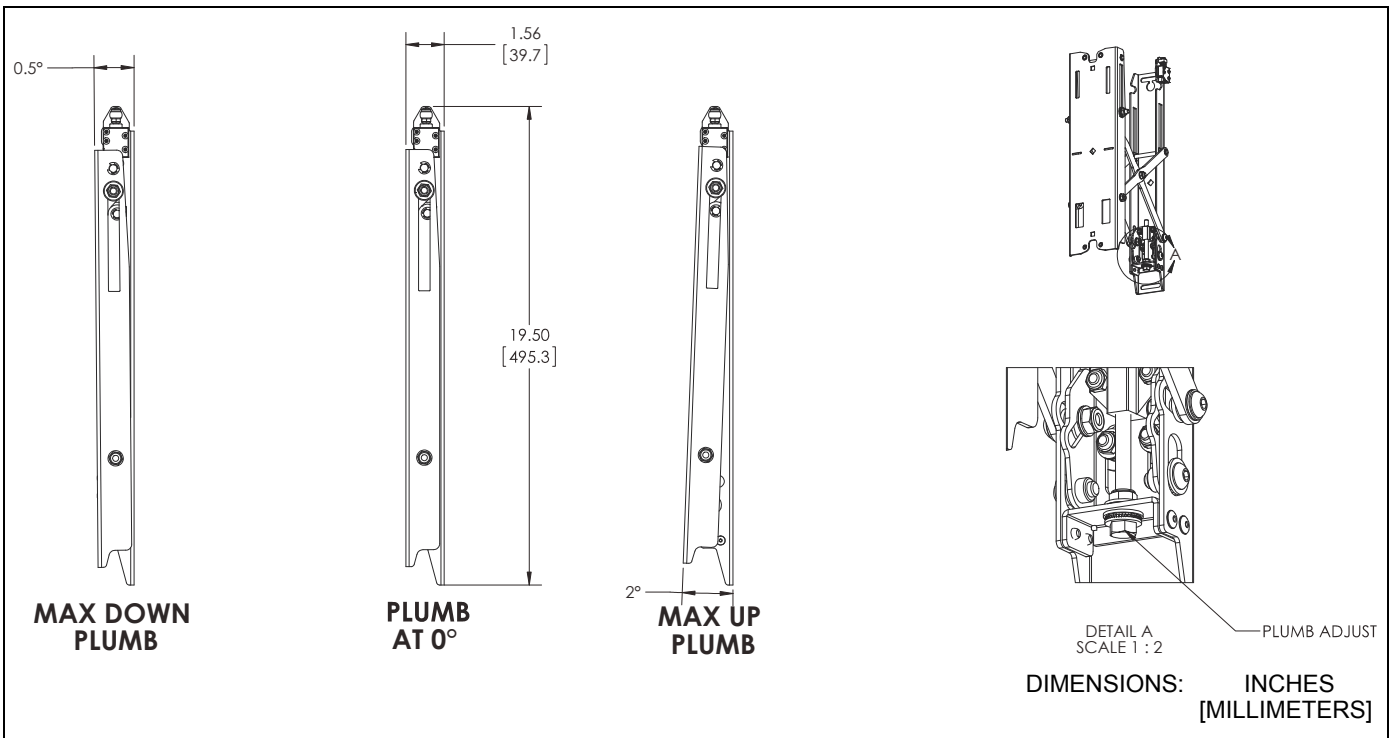
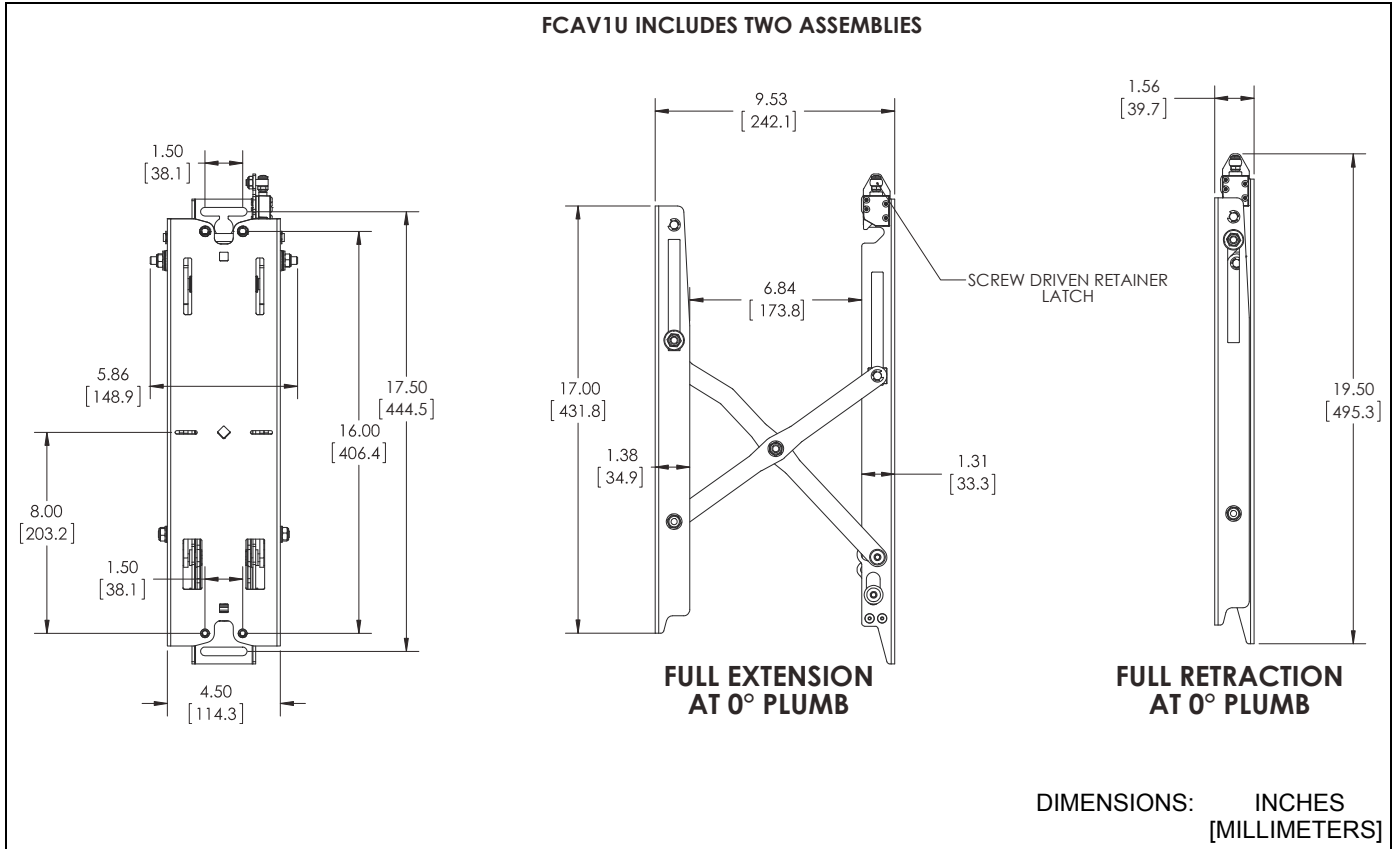
- a bare 8" concrete or 8"x8"x16" concrete block wall, or
- a 2" x 4" wood studs wall covered by drywall with maximum thickness of 5/8":
 - **MSM1U/MTM1U/MTMP1U:** Wood studs must be 16" on center;
 - **LSM1U/LTM1U:** Wood studs may be 16" or 24" on center;
 - **XSM1U/XTM1U:** Wood studs may be 24" or 32" on center.

NOTE: Accessory is intended to be used with the following Chief mounting systems (not included):

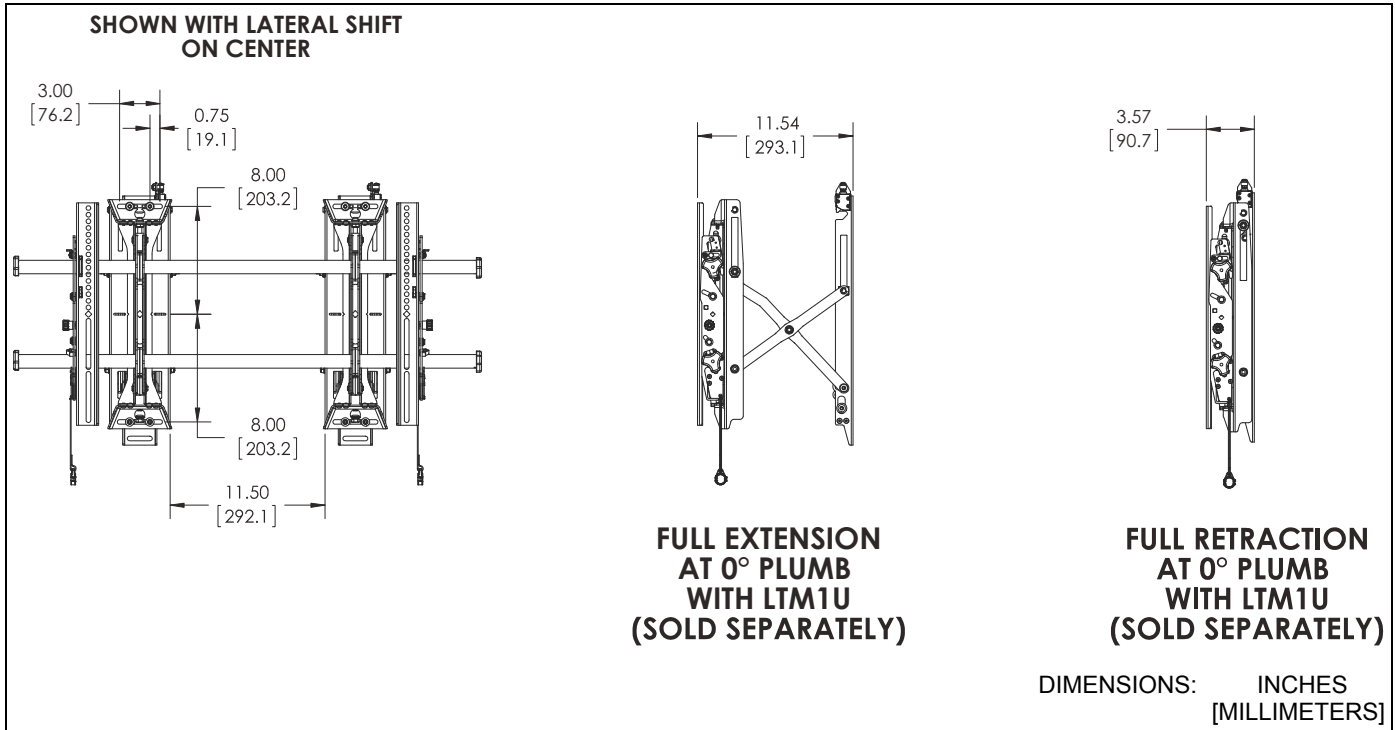
- MTM1U
- MSM1U
- MTMP1U
- LTM1U
- LSM1U
- XTM1U
- XSM1U

--SAVE THESE INSTRUCTIONS--

DIMENSIONS



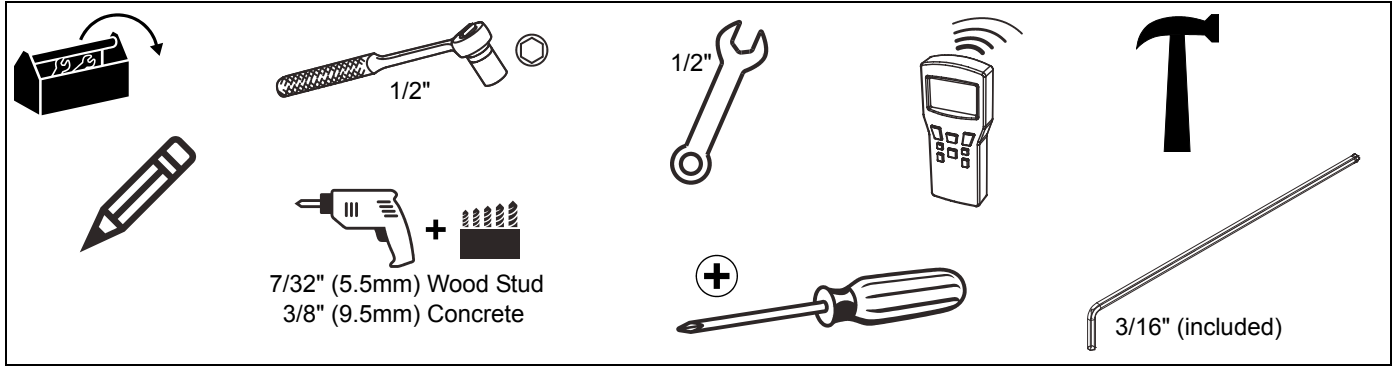
DIMENSIONS -- continued



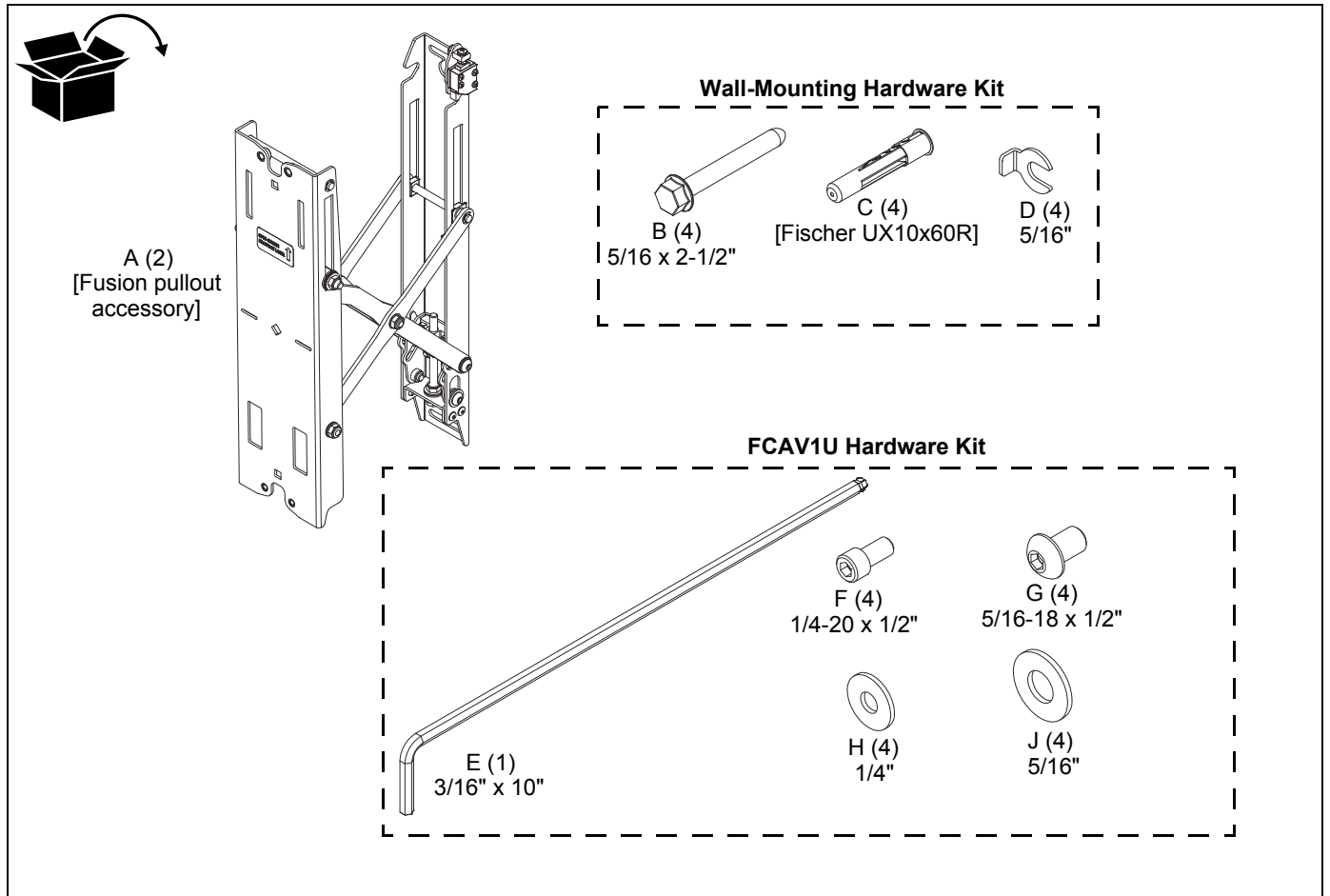
LEGEND

	Tighten Fastener		Open-Ended Wrench
	Apretar elemento de fijación		Llave de boca
	Befestigungsteil festziehen		Gabelschlüssel
	Apertar fixador		Chave de bocas
	Serrare il fissaggio		Chiave a punta aperte
	Bevestiging vastdraaien		Steeksleutel
Serrez les fixations	Clé à fourche		
	Loosen Fastener		Hex-Head Wrench
	Aflojar elemento de fijación		Llave de cabeza hexagonal
	Befestigungsteil lösen		Sechskantschlüssel
	Desapertar fixador		Chave de cabeça sextavada
	Allentare il fissaggio		Chiave esagonale
	Bevestiging losdraaien		Zeskantsleutel
Desserrez les fixations	Clé à tête hexagonale		
	Drill Hole		Phillips Screwdriver
	Perforar		Destornillador Phillips
	Bohrloch		Kreuzschlitzschraubendreher
	Fazer furo		Chave de fendas Phillips
	Praticare un foro		Cacciavite a stella
	Gat boren		Kruiskopschroevendraaier
Percez un trou	Tournevis à pointe cruciforme		

TOOLS REQUIRED FOR INSTALLATION



PARTS



INSTALLATION

NOTE: The FCAV1U enables the mounting system to be pulled out away from the wall for any servicing needs.

Locate Mounting Site



WARNING: IMPROPER INSTALLATION CAN LEAD TO MOUNT FALLING CAUSING SEVERE PERSONAL INJURY OR DAMAGE TO EQUIPMENT! It is the installers responsibility to make certain the structure to which the accessory is being attached is capable of supporting five times the combined weight of accessory and mount, **not to exceed weight capacities listed in Table 1 (See Table 1).**

NOTE: Proceed to either the **Installing to a Wood Stud Wall** section or the **Installing to a Concrete Wall** section.

Installing to a Wood Stud Wall

1. Determine the center of the TV screen, and where it should be located on the wall.
2. Locate the closest stud to the left and right of the selected location.

NOTE: If the screen area lies over a stud, use that stud and the stud to either the left or right of it.

3. Line up the diamond cutouts on Fusion pullout (A) with center of screen marking to determine vertical center. (See Figure 1)
4. Measure up 8" (203.2mm) from the center point (by hooking tape measure in slots on front of FCAV1U) to mark location of the upper mounting slots.

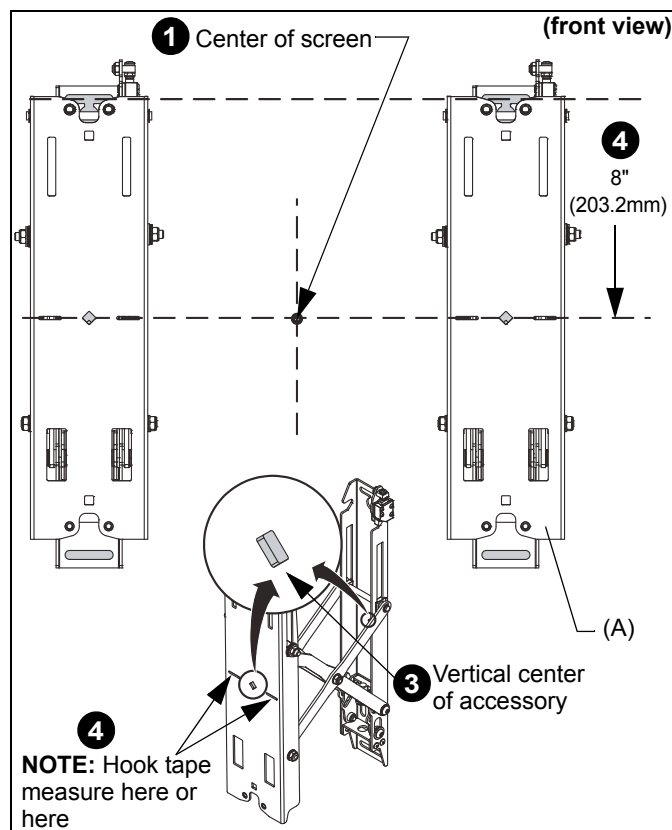


Figure 1

5. Using a level, mark the wall on each stud to attach the accessory through the upper mounting slots. (See Figure 2)
6. Drill one 7/32" (5.5mm) pilot hole in each stud.

NOTE: The slotted washers have been included to help make the installation easier. Wait to place the slotted washer **AFTER** the Fusion pullouts are hanging on the partially installed lag bolts. (See Steps 7-10)

7. Partially install two 5/16 x 2-1/2" flanged lag bolts (B) into pilot holes but do not tighten to wall.
8. Hang both Fusion pullouts (A), aligning upper mounting slots over lag bolts and adjust side-to-side for proper location.
9. Place one slotted washer (D) over each flanged lag bolt. (See Figure 2)
10. Tighten lag bolts to secure accessory (A) to wall at upper mounting slots.
11. Mark the attachment points for the lower mounting slots, making sure the attachment points are located on the studs. (See Figure 2)
12. Drill 7/32" (5.5mm) pilot holes at markings for lower mounting holes. (See Figure 2)
13. Use two 5/16 x 2-1/2" flanged lag bolts (B) and two 5/16" slotted washers (D) to attach both pullouts (A) to the wall through the lower mounting holes. (See Figure 2)
14. Proceed to **Attaching Mounting System** section.

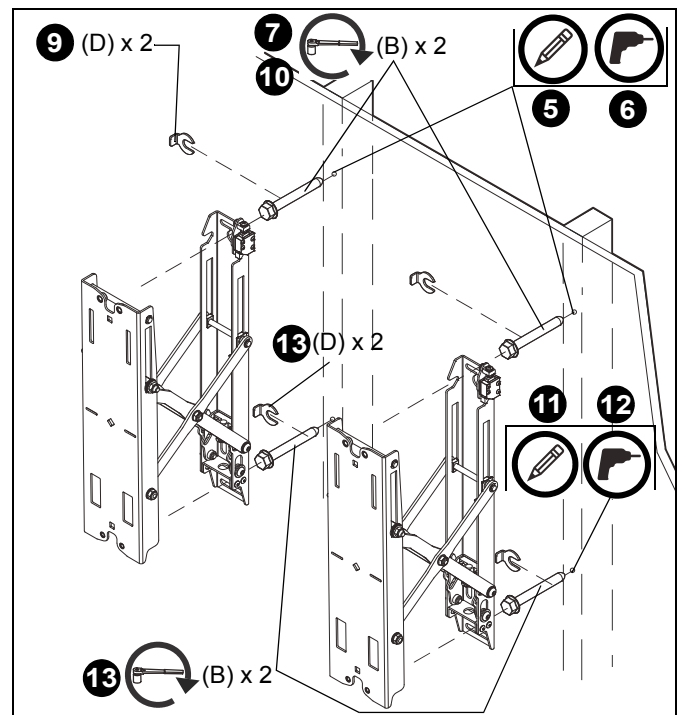


Figure 2

Installing to a Concrete Wall

1. Determine the center of the TV screen, and where it should be located on the wall.
2. Line up the notches on accessory (A) with center of screen marking to determine vertical center. (See Figure 1)
3. Measure up 8" (203.2mm) from the center point to mark location of the upper mounting slots. (See Figure 1)
4. Using a level, mark the wall through both upper mounting slots. (See Figure 3)

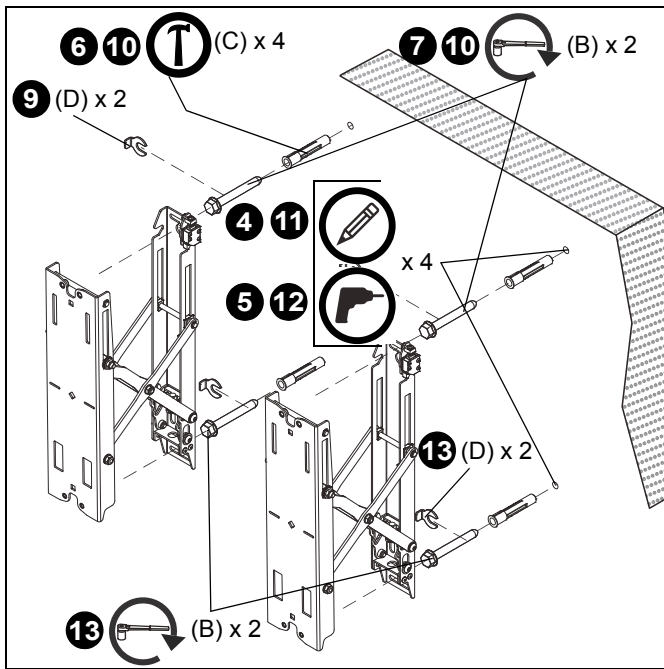


Figure 3



CAUTION: MINIMUM HORIZONTAL DISTANCE BETWEEN WALL BRACKETS IS 16" (406.4mm). Do not place FCAV1U pullout accessories closer together than 16" (406.4mm).

5. Drill one 3/8" x 3-1/2" (9.5mm x 88.9mm) pilot hole at each marking.
6. Install an anchor (C) into each pilot hole using a hammer, making sure that the anchor is flush with the wall.

NOTE: The slotted washers have been included to help make the installation easier. Wait to place the slotted washer **AFTER** the Fusion pullouts are hanging on the partially installed lag bolts. (See Steps 7-10)

7. Partially install two 5/16 x 2-1/2" flanged lag bolts (B) into pilot holes but do not tighten to wall.
8. Hang accessory (A), aligning upper mounting slots over lag bolts, and adjust side-to-side for proper location.
9. Place one slotted washer (D) over each flanged lag bolt. (See Figure 3)
10. Tighten lag bolts to secure accessory (A) to wall at upper mounting slots.

11. Mark the attachment points for the lower mounting slots, making sure the attachment points are located on the studs. (See Figure 3)
12. Drill 3/8" x 3-1/2" (9.5mm x 88.9mm) pilot holes at markings for lower mounting holes. (See Figure 3)
13. Use two 5/16 x 2-1/2" flanged lag bolts (B) and two 5/16" slotted washers (D) to attach the accessory to the wall through the lower mounting holes. (See Figure 3)

ATTACHING MOUNTING SYSTEM

1. Attach top of mounting system (not included) to top of FCAV1U accessories using two 5/16-18 x 1/2" button head cap screws (G) and two 5/16" washers (J) in each top mounting slot. (See Figure 4)
2. Attach bottom of mounting system to bottom of FCAV1U accessories using two 1/4-20 x 1/2" socket head cap screws (F) and two 1/4" washers (H) in each bottom mounting slot. (See Figure 4)

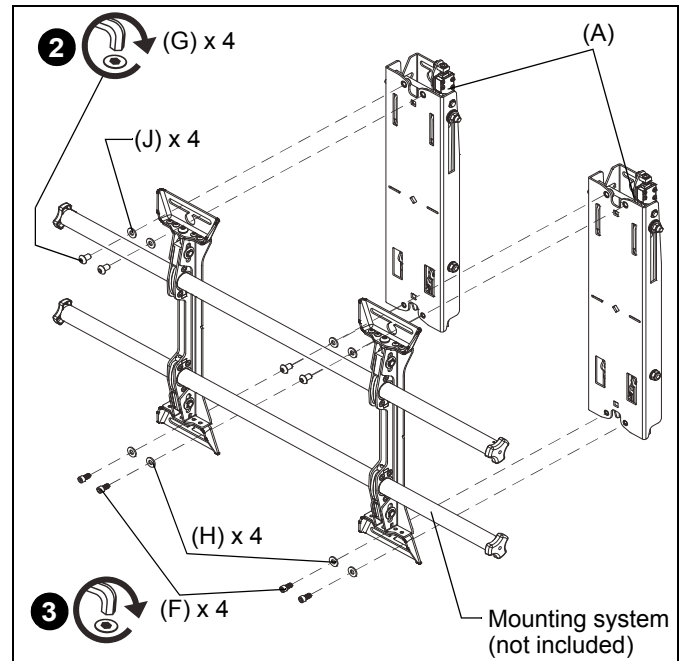


Figure 4

3. The remainder of the mounting system installation may be completed at this time, following the installation instructions included with the mounting system.

ADJUSTMENTS

Moving Mount to Wall (Optional)

1. Close the FCAV1U brackets and tighten the retainer latch (turn **counterclockwise**) to hold the brackets in the retracted position. (See Figure 5)

IMPORTANT ! : Do NOT over-tighten the retainer latch.

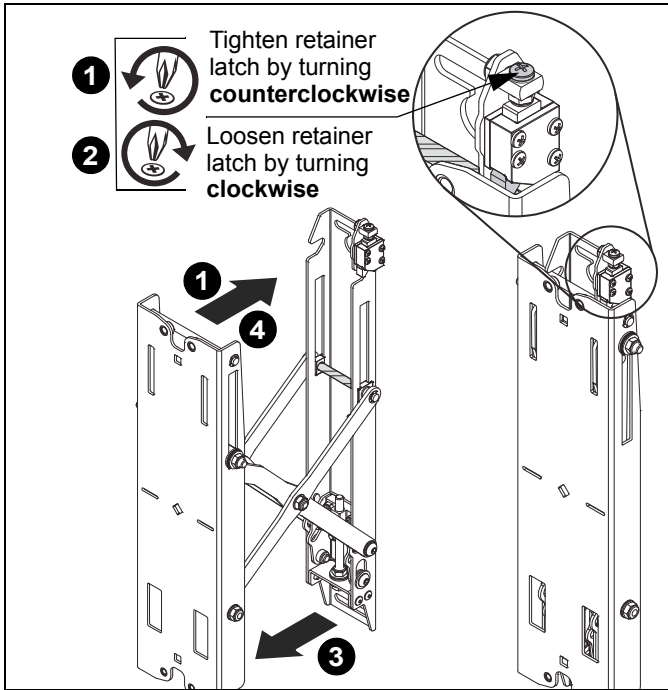


Figure 5

Moving Mount to Service Position

2. Loosen the retainer latch by turning screw **clockwise**. (See Figure 5)
3. Pull mount out from wall.
4. Return mount towards wall after service is complete.

Adjusting Mount Against Wall

IMPORTANT ! : Carefully adjust the mount plumb evenly on both sides to avoid placing too much stress on the screen.

5. Adjust plumb of mount by turning the adjustment nut on the FCAV1U. (See Figure 6)

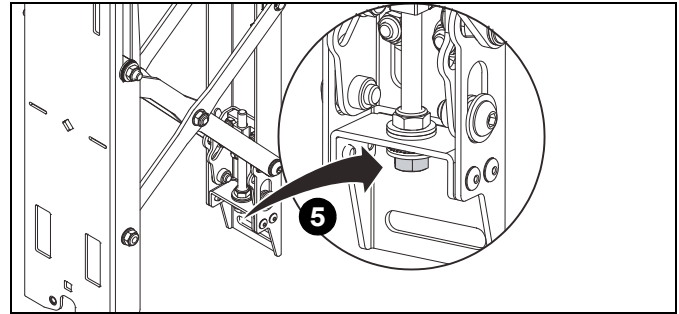


Figure 6



Our Mounts. **Your Vision.**

Chief, a products division of
Milestone AV Technologies

8800-002781 Rev00
©2016 Milestone AV Technologies
www.chiefmfg.com
01/16

USA/International **A** 6436 City West Parkway, Eden Prairie, MN 55344
 P 800.582.6480 / 952.225.6000
 F 877.894.6918 / 952.894.6918

Europe **A** Franklinstraat 14, 6003 DK Weert, Netherlands
 P +31 (0) 495 580 852
 F +31 (0) 495 580 845

Asia Pacific **A** Office No. 918 on 9/F, Shatin Galleria
 18-24 Shan Mei Street
 Fotan, Shatin, Hong Kong
 P 852 2145 4099
 F 852 2145 4477

