

Z2 Basic

Desk Mount Dual Monitor Arm



Main Features

- Optimal View for the Individual User Setting
- Easy Installation
- Ergonomic Seating Position
- Cable Management Frees Your Desk



www.arctic.ac



Z2 Basic

Desk Mount Dual Monitor Arm

The **Z2 Basic** monitor arm provides you a new sense of work at your screen. Thanks to the easy installation and the cable management you will win a lot of space on your table. Concurrent your ergonomic seating position is improved through ideal alignment according to your individual eye level. A must-have for every desk!

Specifications	
Material	Steel
Number of Mountable Monitors	2
Screen Size	13"- 27"
Maximum Monitor Weight	8 kg/17.6 lbs per mount
VESA Standard	75/100
Rotation	360°
Swivel	180°
Tilt	+/-15°
Distance to the Pole	19-40 cm
Max Table Thickness	60 mm
Weight	3 kg

Package Contents

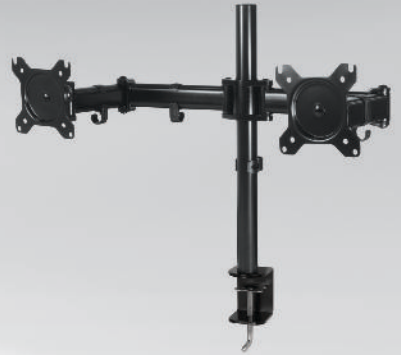
Pole x 1 / Mounting Arm x 1 / Clamp x 1 / Hex Key x 2 / Cable Hook x 4 / Rubber Pad x 1 / Spacer x 8 / Cable Clip x 1 / Screw x 35 / Manual x 1



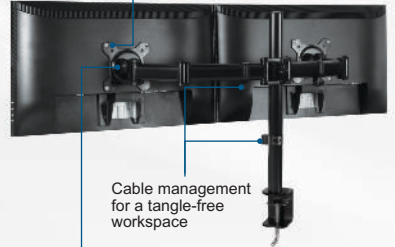
Desk Edge Mounting



Cable Management



The VESA 100/75 compliant mounting accommodates most flat panel displays



Cable management for a tangle-free workspace

Increased flexibility with 360° rotation, 180° swivel and 45° tilt



Z2 Basic

Desk Mount Dual Monitor Arm

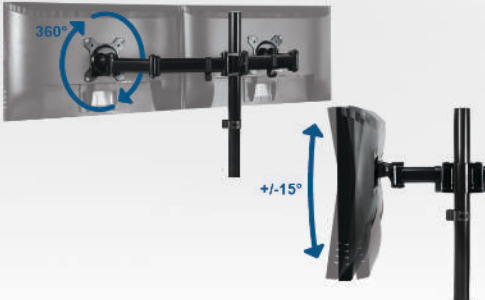


Work Efficiently

Increase your efficiency with the Z2 Basic dual monitor arm: It is often helpful to work with multiple screens at the same time to keep important applications parallel in view. The Z2 Basic extends your view and thereby simplifies not only your work, but it also allows you to work more efficiently.

More Flexibility

Turn your monitor horizontal in any direction in an easy and convenient way.



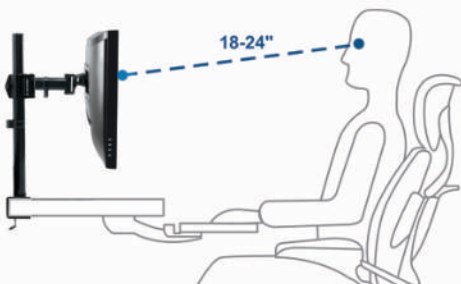
Quick and Easy Installation

The monitor arm can be mounted on most surfaces with the sturdy and adjustable clamp which fits the edge of your desk in various thicknesses.



Ergonomic Seating Position

Pay attention to your health, also in the office. So the Z2 Basic improves your ergonomic seating position through ideal alignment according to your individual eye level.



Cable Management

