

ETS-N31

CPU air cooler



ETS-N31

CPU air cooler



- ▀ **Superb compatibility with chassis and RAM modules**
- ▀ **Effective cooling solution**
- ▀ **130W TDP cooling capacity**

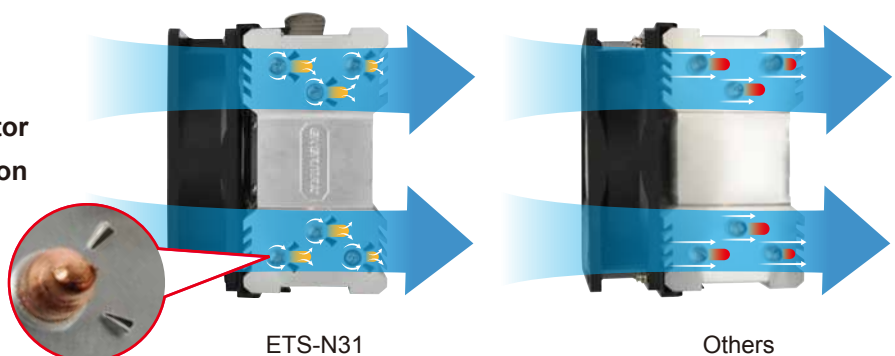
ENERMAX ETS-N31 is an effective cooling solution for entry-level systems. With its compact-size design, ETS-N31 provides superb compatibility with chassis and RAM modules. The heat sink incorporates with patented VGF (Vortex Generator Flow), VEF (Vacuum Effect), and HDT (Heat pipe Direct Touch) design to ensure rapid heat dissipation and remove hot spots on CPU swiftly. ETS-N31, an ultra-compact CPU cooler, is perfect to small chassis.

Features

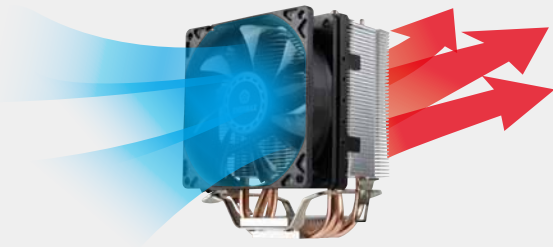


- ▀ **Maximum compatibility**
Compact size structure gives users greater flexibility in selecting chassis

- ▀ **Patented VGF (Vortex Generator Flow) to increase air convection around the heat pipes**



▀ Unique air path creating high VEF (Vacuum Effect) to optimize the airflow



ETS-N31 - No air leaks from sides



Others - Cooling air leaks from sides

▀ HDT (Heat-pipe Direct Touch) technology ensures rapid thermal conduction and eliminates CPU hot spots quickly



▀ Asymmetric heat pipe design allows extra space for perfect RAM compatibility



▀ Tool-free mounting system ensures an effortless and easy installation



AMD



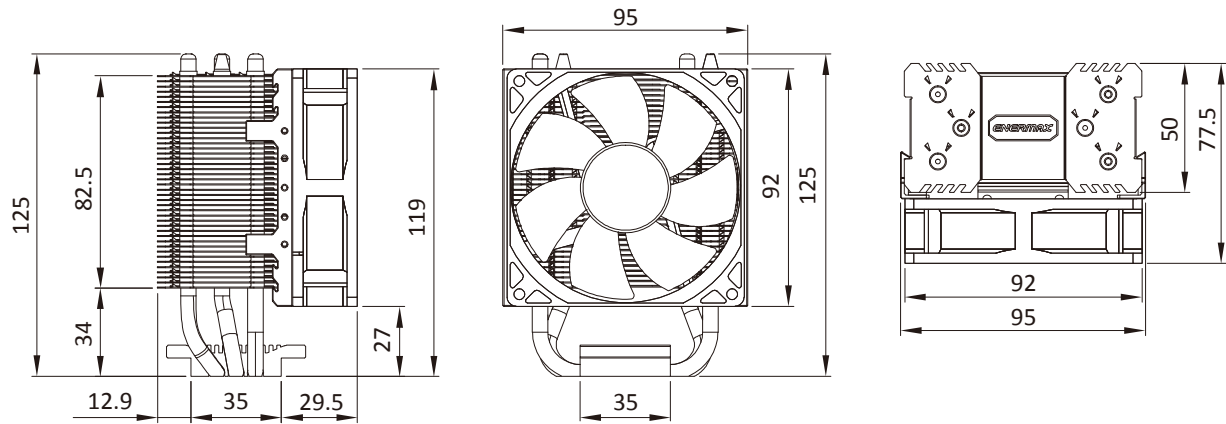
Intel



▀ "1-clip" fan bracket design for user-friendly installation

Dimensions

unit:mm



Specifications

Model Name		ETS-N31-02
Compatible Socket		Intel® LGA 775/1150/1151/1155/1156/1366, AMD® AM4/AM3/AM3+/AM2/AM2+/FM1/FM2/FM2+
Overall Weight		385 g
Heat Pipe		3 x Ø6 mm
Material		Copper Heat Pipes/Aluminum Fins
Fan	Dimension	92 x 92 x 25 mm
	Speed	800 ~ 2000 RPM
	Air Flow	13.12 ~ 32.8 CFM 22.29 ~ 55.72 m³/h
	Static Pressure	0.86 ~2.15 mmH₂O
	Max. Noise	24.5 dBA
	Connector	4 pin PWM connector
	LED	N/A

Shipping Information

Barcode	EAN: 4713157722768 UPC: 816163008988
Box Dimension	120 x 115 x 136 mm
Gross Weight / unit	485 g
Carton Dimension	495 x 475 x 306 mm
Qty / Carton	32
Gross Weight / Carton	16.4 kg