



WAP-8221 Version: 1

AC750 Dual Band PoE Wireless Access Point, In-Wall Mount, Controller Managed

LevelOne new access point, the WAP-8221, can be used to create wireless networks that are not only technically perfect but also visually perfect. Since there is almost not to see with the wireless access point hardware: The wireless access point - just like a power outlet - is simply mounted on the wall. hotels and guesthouses can carefully set up WLANs for guests in each room. It can achieve a combined speed of up to 750 Mbps. The WAP-8221 operates in the 2.4 and 5 GHz bands and can also be used as part of a managed network when controlled by the LevelOne WAC-2000 / WAC-2003 WLAN controller. There is an RJ45 socket for the network cable on the back and front. LevelOne WAP-8221 also offers PoE, removing the need for an external power supply, which makes it easy to install. A fast, versatile and secure access point for a wide variety of network requirements.

Key Features

- Share your wireless network up to 750Mbps
- Compatible with IEEE 802.11a/b/g/n/ac wireless standards
- Dual band technology reduces interference, providing reliable connections
- IEEE 802.3af PoE compliant to simplify deployment and installation
- Multi-operation modes to suit different wireless applications
- Provides up to 8 SSIDs to separate network traffic and enhance security
- Wall-mounted design fits standard 86x86mm socket

Specifications

System Specifications

Standards & Protocols:

IEEE 802.3 10-BASE-T, Ethernet
IEEE 802.3u 100-BASE-TX, Fast Ethernet
IEEE 802.11e Wi-Fi Multimedia (WMM)
IEEE 802.3x Ethernet Flow Control
IEEE 802.11i Wi-Fi Protected Access (WPA2)
IEEE 802.11a, 802.11b, IEEE 802.11g, IEEE 802.11n 802.11ac Wireless Networking
IEEE 802.3 af Power over Ethernet

Port:

1 x 10/100Mbps WAN Port
1 x 10/100Mbps LAN Port

Button/Knob:

1 x WIFI SSID Broadcast ON/OFF , Reset to Defaults

**Indicator:**

Power
System status

Power Input:

Power over Ethernet (IEEE802.3af) 48 VDC

Power Consumption:

<10W

Wireless**Operating Mode:**

Gateway Mode
Repeater Mode
WISP Mode
AP Mode

Encryption:

WEP Encryption-64/128 bit; WPA/WPA2 Personal (WPA-PSK using TKIP or AES);WPA/WPA2 Enterprise (WPA-EAP using TKIP)

Receive Sensitivity(dBm):**2.4 GHz Receive Sensitivity:**

802.11b / 1Mbps / RX Sensitivity : -94 (dBm)
802.11b / 11Mbps / RX Sensitivity : -85 (dBm)
802.11g / 6Mbps / RX Sensitivity : -88 (dBm)
802.11g / 54Mbps / RX Sensitivity : -72 (dBm)
802.11n HT20 / MCS0 / RX Sensitivity : -88 (dBm)
802.11n HT20 / MCS7 / RX Sensitivity : -70 (dBm)

5.8 GHz Receive Sensitivity:

802.11a HT20 / 6Mbps/ RX Sensitivity : -90 (dBm)
802.11a HT20 / 54Mbps/ RX Sensitivity : -72 (dBm)
802.11n HT20 / MCS0 / RX Sensitivity : -90 (dBm)
802.11n HT20 / MCS7 / RX Sensitivity : -70 (dBm)
802.11ac VHT80 / MCS0 / RX Sensitivity : -86 (dBm)
802.11ac VHT80 / MCS9 / RX Sensitivity : -60 (dBm)

Wireless Channels:**2.4GHz:**

Ch.1 ~ 11 USA
Ch.1 ~ 13 EU

5.8GHz:

Ch.36~64 , 100~128 , 132~140 , 149~165 USA
Ch.36~64 , 100~128 , 132~140 EU

EIRP(dBm):

2.4 GHz : EIRP < 20dBm
5.8 GHz : EIRP < 20dBm

Antenna:

2.4GHz: 2dBi inside Omni Antenna x2
5.8GHz: 2dBi inside Omni Antenna x1

Frequency Band:

2.4 ~ 2.4835 GHz
5.180 ~ 5.825GHz

Modulation:

OFDM = BPSK,QPSK,16-QAM,64-QAM;DSSS = DBPSK,DQPSK,CCK

Data Transfer Rate:

802.11ac: 433.3 Mbps

802.11n: 300 Mbps

802.11g: 54 Mbps

802.11b: 11 Mbps

Features

General:

Multi-SSID: 8 SSIDs (4 SSID for 2.4G, 4 SSID for 5.8G)

PoE:

IEEE 802.3af

Security:

SSID Broadcast On/Off

Management:

WEB interface

QoS:

802.11e WMM Supported

Ease of Use:

Web-based GUI with Quick Installation Wizard

Web-based (HTTP) firmware upgrade

Performance

Number of Clients:

Maximum:128

Recommend:50

Environment

Operating Temperature (°C):

-20°C~50°C

Operating Humidity (Non-condensing):

10 ~ 90%

Storage Temperature (°C):

-40°C~70°C

Storage Humidity (Non-condensing):

5%~95%

Installation:

In-Wall Mount

Physical Specifications

Dimensions (W x D x H mm):

86 x 86 x 31 mm

Diameter:

86mm

Weight (g):

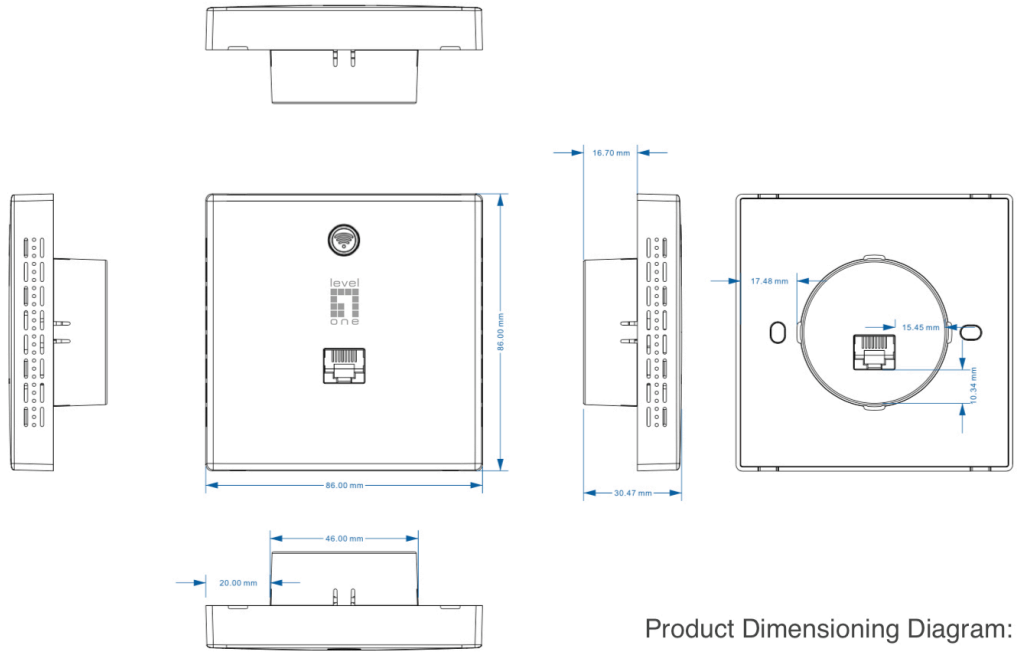
110g

Approval and Compliance

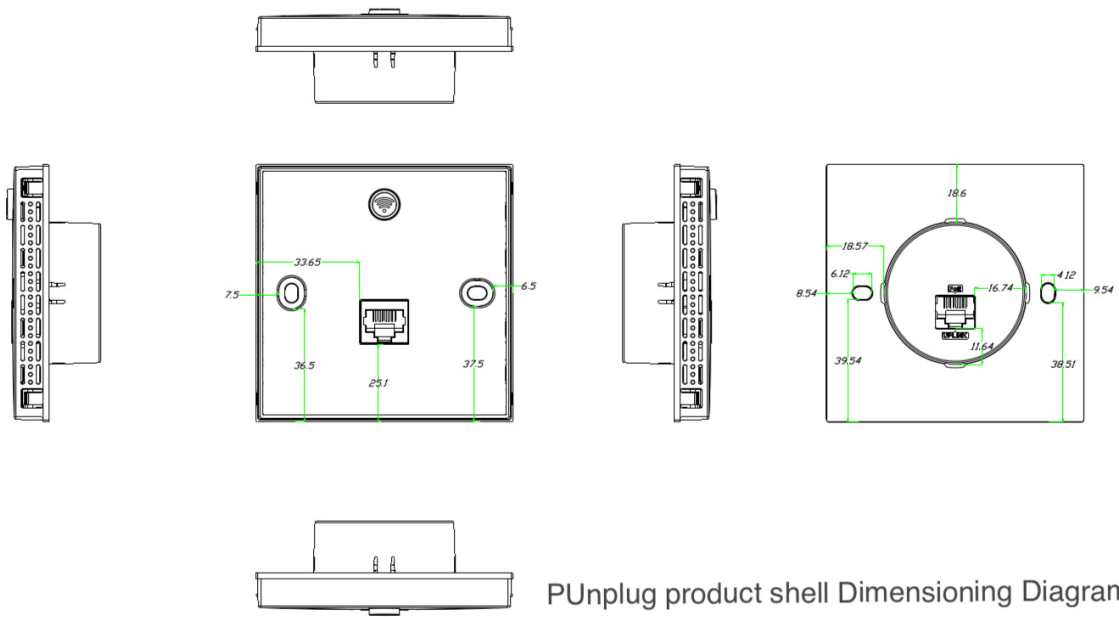


EMI/EMS:
CE

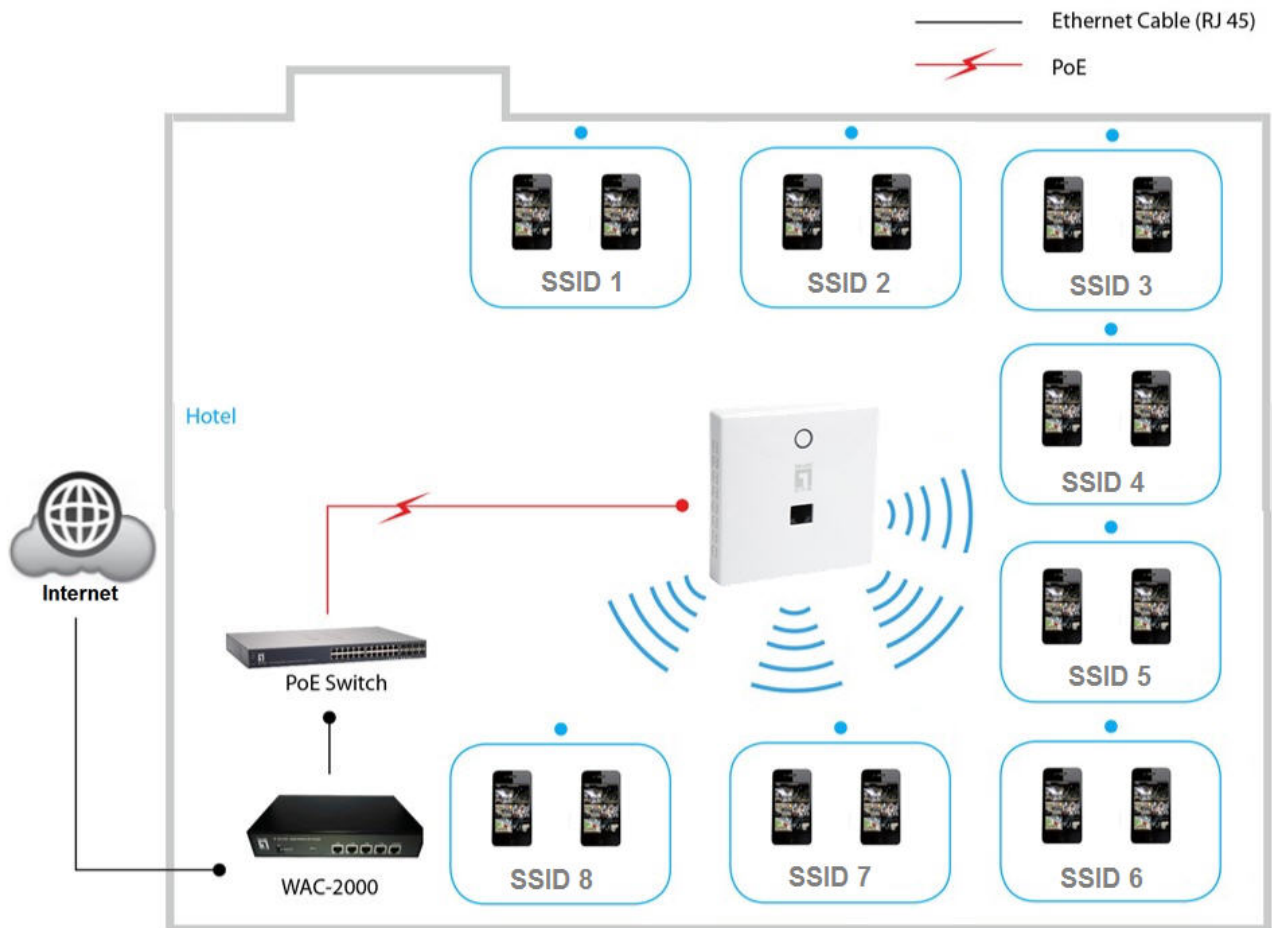
Diagram



Product Dimensioning Diagram:



PUnplug product shell Dimensioning Diagram:



Order Information

WAP-8221

Package Contents

WAP-8221

Screw Kit

Quick Installation Guide

Resource CD (User Manual, QIG)

No liability or responsibility for any errors or omissions in the content.
Specifications are subject to change without notice.
All mentioned brand names are registered trademarks and property of their owners.
Copyright © Digital Data Communications GmbH, Germany. All Rights Reserved.