



Owner's Manual



(OLED Monitor)

Please read this manual carefully before operating your set and retain it for future reference.

45GR95QE

www.lg.com

Copyright © 2022 LG Electronics Inc. All Rights Reserved.

TABLE OF CONTENTS

ASSEMBLING AND PREPARING	4	USING THE MONITOR.....	12
- Installing.....	5	- Connecting to a PC	12
Moving and Lifting the Monitor	5	HDMI Connection	12
Installing on a Table	6	DisplayPort Connection	13
Using the Kensington Lock	6	- Connecting AV Devices	13
Installing on the Wall	7	HDMI Connection	13
- Product and Button Description	9	- Connecting Peripherals	14
Using the button	10	USB Device connection.....	14
Menu Settings.....	10	Optical Output Speaker Connection.....	14
Adjusting the Stand Height	10	Headset Connection	14
Adjusting the Angle	11	USING THE REMOTE CONTROL.....	15
- Supported Drivers and Software	11	- Replacing the Remote Control Battery	15

USER SETTINGS	16	PRODUCT SPECIFICATION	22
- Activating the Main Menu	16	- Support Mode	24
Menu Settings	16	(Preset Mode, HDMI / DisplayPort)	24
[Game Mode]	16	HDMI Timing (Video)	26
[Game Adjust]	17	TROUBLESHOOTING	27
[Picture Adjust]	18	LICENSE	28
[Input]	19	OPEN SOURCE SOFTWARE NOTICE INFORMATION	29
[General]	19	BEEP GUIDE	29
- Important Information for Preventing Image Retention	21		
Examples of Images that may Cause Image Retention	21		
Recommendations For Preventing Image Retention	21		
Safety precautions for prolonged use	22		

ASSEMBLING AND PREPARING

CAUTION

- Always use genuine LG components to ensure safety and product performance.
- The product warranty will not cover damage or injury caused by the use of unauthorized components.
- It is recommended that use the supplied components.
- The product figures and screen displays used in this manual are examples to help consumers use the product and may differ from the actual product.
- Do not apply foreign substances (oils, lubricants, etc.) to the screw parts when assembling the product. (Doing so may damage the product.)
- Applying excessive force when tightening screws may cause damage to the monitor. Damage caused in this way will not be covered by the product warranty.
- Do not carry the monitor upside down by just holding the base. This may cause the monitor to fall off the stand and could result in personal injury.
- When lifting or moving the monitor, do not touch the monitor screen. The force applied to the monitor screen may cause damage to it.
- For wave pattern on appearance, unlike the general method of coating, it's applied to added glittering material in raw material. With no peeled-off appearance, it has good durability. Please use it with confidence because there is no problem in using the product at all.

NOTE

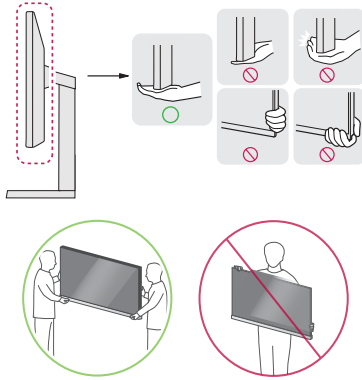
- The components may look different from those illustrated here.
- Without prior notice, all product information and specifications contained in this manual are subject to change to improve the performance of the product.
- To purchase optional accessories, visit an electronics store or an online shopping site, or contact the retailer from which you purchased the product.
- The power cord provided may differ depending upon the region.

Installing

Moving and Lifting the Monitor

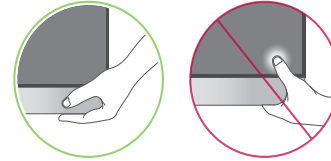
When moving or lifting the monitor, follow these instructions to prevent the monitor from being scratched or damaged and to ensure safe transportation, regardless of its shape or size.

- Place the monitor in the original box or packing material before attempting to move it.
- Before moving or lifting the monitor, disconnect the power cord and all other cables.
- Hold the bottom and side of the monitor frame firmly. Do not hold the panel itself.
- When holding the monitor, the screen should face away from you to prevent it from being scratched.
- When transporting the monitor, do not expose the monitor to shock or excessive vibration.
- When moving the monitor, keep it upright and never turn the monitor on its side or tilt it sideways.



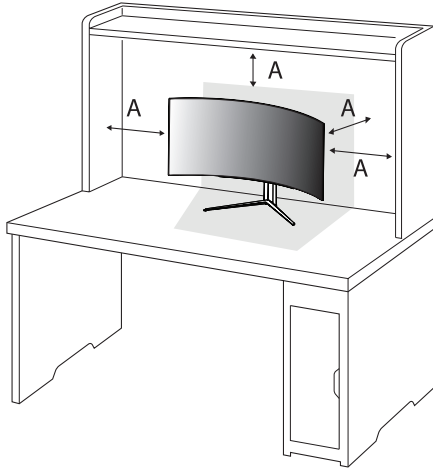
⚠ CAUTION

- Avoid touching the monitor screen as much as possible.
 - This may result in damage to the screen or some of the pixels used to create images.
- If you use the monitor panel without the stand base, its power button may cause the monitor to become unstable and fall, resulting in damage to the monitor or human injury. In addition, this may cause the power button to malfunction.



Installing on a Table

- Lift the monitor and place it on the table in an upright position. Place the monitor at least 100 mm (3.9 inches) away from the wall to ensure sufficient ventilation.



A: 100 mm (3.9 inches)

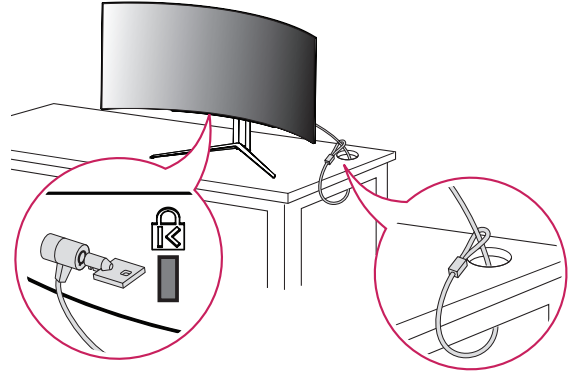
CAUTION

- Unplug the power cord before moving or installing the monitor. There is risk of electric shock.
- Make sure to use the power cord that is provided in the product package and connect it to a grounded power outlet. (Depending on country)

Using the Kensington Lock

For more information on installation and usage, refer to the Kensington lock owner's manual or visit the website at <http://www.kensington.com>.

Connect the monitor to a table using the Kensington security system cable.

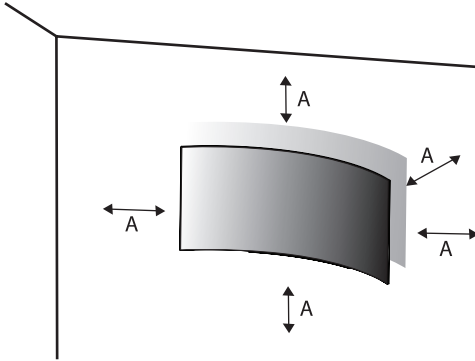


NOTE

- The Kensington security system is optional. You can obtain optional accessories from most electronics stores.

Installing on the Wall

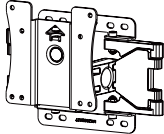
This monitor meets the specifications for the wall mount plate or other compatible devices. Install the monitor at least 100 mm (3.9 inches) away from the wall and leave about 100 mm (3.9 inches) of space at each side of the monitor to ensure sufficient ventilation. Detailed installation instructions can be obtained from your local retail store. Alternatively, please refer to the manual for how to install and set up a tilting wall mounting bracket.



A: 100 mm (3.9 inches)

Installing the Wall Mount Plate

To install the monitor to a wall, attach a wall mounting bracket (optional) to the back of the monitor. Make sure that the wall mounting bracket is securely fixed to the monitor and to the wall.

Wall Mount (mm)	100 X 100 (3.9 x 3.9 inches)
Standard screw	M4 x L10
Number of screws	4
Wall Mount Plate (Optional)	LSW149 

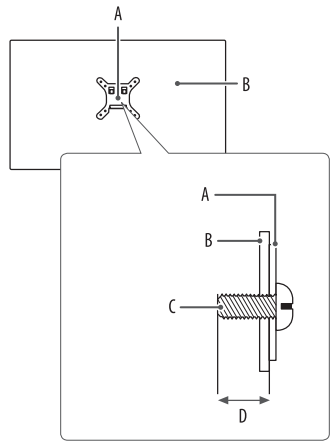
NOTE

- Use the screws specified by VESA standards.
- The wall mount kit includes the installation guide and all necessary parts.
- The wall mounting bracket is optional. You can obtain optional accessories from your local dealer.
- The length of the screw may differ for each wall mounting bracket. If you use screws longer than the standard length, it may damage the inside of the product.
- For more information, please refer to the user manual for the wall mounting bracket.
- Be careful not to apply too much force while mounting the wall mount plate as it may cause damage to the screen.
- Remove the stand before installing the monitor on a wall mount by performing the stand attachment in reverse.

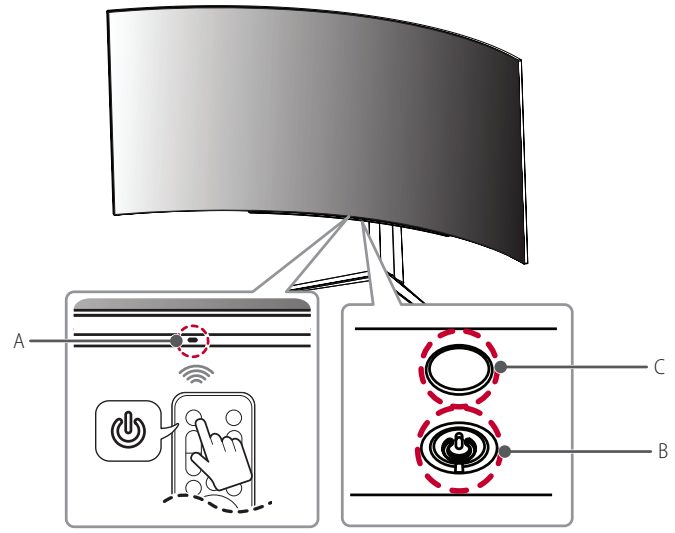
 **CAUTION**

- Unplug the power cord before moving or installing the monitor to avoid electric shock.
- Installing the monitor on the ceiling or on a slanted wall may result in the monitor falling off, which could lead to injury. Use an authorized LG wall mount and contact the local dealer or qualified personnel.
- To prevent injury, this apparatus must be securely attached to the wall in accordance with the installation instructions.
- Applying excessive force when tightening screws may cause damage to the monitor. Damage caused in this way will not be covered by the product warranty.
- Use the wall mounting bracket and screws that conform to VESA standards. Damage caused by the use or misuse of inappropriate components will not be covered by the product warranty.
- When measured from the back of the monitor, the length of each installed screw must be 8 mm (0.3 inches) or less.

Product and Button Description



- A: Wall Mount Plate
- B: Back of the Monitor
- C: Standard screw
- D: Max. 8 mm (0.3 inches)




- A: Remote Control Sensor
- B: Power Button
- C: Lighting

Using the button





The monitor can be operated by pressing a button.

Basic functions

	Power On (Press) Power Off (Press and Hold) Move Menu (Press ¹) Select Menu (Press and Hold ²)
---	---

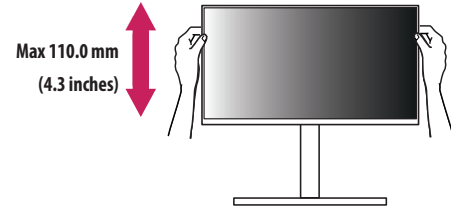
- 1 The desired function can be selected by moving the menu.
- 2 You can enter the menu to change the function while the monitor is on.

Menu Settings

	Power off the monitor.
	Changes the external input.
	Adjusts the volume.
	Adjusts the brightness.

Adjusting the Stand Height

- 1 Place the monitor mounted on the stand base in an upright position.
- 2 Handle the monitor with both hands for safety.



WARNING

- When adjusting the screen height, do not place your hand on the stand body to avoid injury to your fingers.

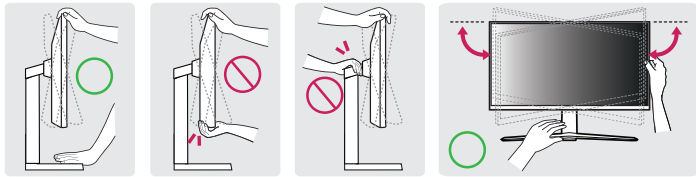
Adjusting the Angle

- 1 Place the monitor mounted on the stand base in an upright position.
- 2 Adjust the angle of the screen.

The angle of the screen can be adjusted forward or backward from -5° to 15° for a comfortable viewing experience. And you can also adjust the angle of the screen by 10 degrees to the left or to the right.

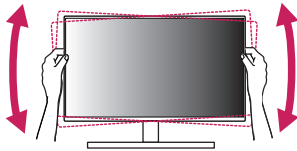
! WARNING

- To avoid injury to the fingers when adjusting the screen, do not hold the lower part of the monitor's frame as illustrated below.
- Be careful not to touch or press the screen area when adjusting the angle of the monitor.



! NOTE

- The left or right side of the monitor head can be slightly rotated up or down (up to 3°). Adjust the horizontal level of the monitor head.



Supported Drivers and Software

You can download and install the latest version from the LGE website (www.lg.com).

- Monitor Driver / OnScreen Control / LG Calibration Studio / Dual Controller

USING THE MONITOR

- Illustrations in this manual may differ from the actual product.

After pressing the monitor power button (⏻) or ⚙️ (Settings) button on the remote control, select the corresponding input from the [Input] menu or press the 📺 (Input) button on the remote control to select the desired input.

CAUTION

- If you use generic cables not certified by LG, the screen may not display or there may be image noises.
- Do not press the screen for a prolonged time. This may cause image distortion.
- Do not display a still image on the screen for a prolonged time. This may cause image retention. Use a PC screensaver if possible.
- When connecting the power cord to the outlet, use a grounded (3-hole) power strip or a grounded power outlet. (Depending on country)
- The monitor may flicker when turned on in an area where the temperature is low. This is normal.
- Sometimes red, green, or blue spots may appear on the screen. This is normal.
- Make sure to use the supplied cable of the product. Otherwise, this may cause the device to malfunction.

Connecting to a PC

- This monitor supports the Plug and Play* feature.
- * Plug and Play: A feature that allows you to add a device to your computer without having to reconfigure anything or install any manual drivers.

HDMI Connection

Transmits digital video and audio signals from your PC to the monitor.

NOTE

- Using a DVI to HDMI / DP (DisplayPort) to HDMI cable may cause compatibility issues.
- Use a certified cable with the HDMI logo attached. If you do not use a certified HDMI cable, the screen may not display or a connection error may occur.
- Recommended HDMI cable types
 - High Speed HDMI®/™ cable
 - High Speed HDMI®/™ cable with Ethernet

DisplayPort Connection

Transmits digital video and audio signals from your PC to the monitor.

! NOTE

- There may be no video or audio output depending on the DP (DisplayPort) version of the PC.
- If you are using a Mini DisplayPort output graphics card, use a Mini DP to DP (Mini DisplayPort to DisplayPort) cable or gender that supports DisplayPort1.4. (Sold separately)

Connecting AV Devices

HDMI Connection

HDMI transmits digital video and audio signals from your AV device to the monitor.

! NOTE

- Using a DVI to HDMI / DP (DisplayPort) to HDMI cable may cause compatibility issues.
- Use a certified cable with the HDMI logo attached. If you do not use a certified HDMI cable, the screen may not display or a connection error may occur.
- Recommended HDMI cable types
 - High Speed HDMI[®]/[™] cable
 - High Speed HDMI[®]/[™] cable with Ethernet

Connecting Peripherals

USB Device connection

The USB port on the product functions as a USB hub.

NOTE

- It is recommended you install all Windows Updates to keep your Windows up-to-date before connecting to the product for use.
- Peripheral devices are sold separately.
- A keyboard, mouse, or USB device can be connected to the USB port.
- The charging speed may vary depending on the device.

CAUTION

- Cautions when using a USB device.
 - A USB device with an automatic recognition program installed, or that uses its own driver, may not be recognized.
 - Some USB devices may not be supported or may not work properly.
 - It is recommended to use a USB hub or hard disk drive with power supplied. (If the power supply is not adequate, the USB device may not be recognized properly.)

Optical Output Speaker Connection

It supports optical output speaker connection and can connect monitors and audio devices.

NOTE

- Peripheral products are sold separately.
- Depending on the audio settings of the PC and the external device, speaker function may be limited.

Headset Connection

Connect peripherals to the monitor via the headset port.

NOTE

- Peripheral devices are sold separately.
- Depending on the audio settings of the PC and external device, headset and speaker functions may be limited.
- The microphone works only when the USB port on the monitor is connected to the USB port on the PC.

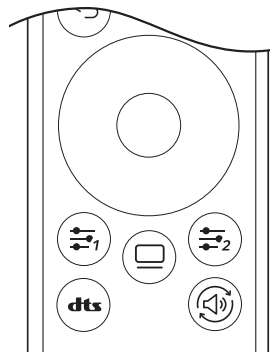
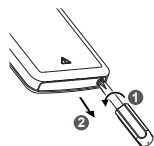
USING THE REMOTE CONTROL

Replacing the Remote Control Battery

- 1 Remove the screws to open the battery cover.
- 2 Insert the battery to be replaced (CR2025/3 V) with the ⊕ side aligned with the label on the battery compartment.
- 3 Close the battery cover and tighten the screw.

To remove the battery, perform the installation actions in reverse.

The illustrations may differ from the actual accessories.



⊙ **(Direction buttons and OK)** It allows you to move, select, and adjust menus.

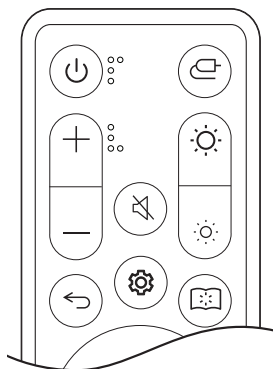
* **(Down)**: Enters the [Accessibility] menu if no other OSD (On Screen Display) is displayed.

⇌/⇌₂ **(User-defined Key)** Go to the menu specified by the user.

Ⓛ **(OLED Care)** Go to the [OLED Care] menu.

dts (DTS Headphone:X) Select the desired sound settings.

🔊 **(Sound Out)** Changes the audio output method.



⏻ **(Power)** Turns the monitor on or off.

Ⓛ **(Input)** Selects the input mode.

+/- **(Volume)** Adjusts the volume level.

🔇 **(Mute)** Mute all sounds.

☀️/☀️ **(Brightness)** Adjusts the brightness level.

⬅️ **(Previous)** Go to the previous step.

⚙️ **(Settings)** Makes the main menu screen appear or disappear.

📖 **(Reader Mode)** Changes to Reader mode.

⚠️ CAUTION

- Be sure to point the remote control toward the remote control sensor on the monitor.
- The product's internal and external batteries should not be exposed to excessive heat such as direct sunlight, fire, or the like.
- Risk of fire or explosion if the battery is replaced by an incorrect type.

USER SETTINGS

NOTE

- The Monitor OSD (On Screen Display) may differ from the description in the User Manual.

Activating the Main Menu

- 1 Press the **(Settings)** button on the remote control.
- 2 Press the direction buttons and OK on the remote control to adjust the option.
- 3 Press the **(Settings)** button on the remote control once more or press the **(Previous)** button to exit from the main menu.

Menu Settings



[Game Mode]



[Game Adjust]



[Picture Adjust]



[Input]



[General]

[Game Mode]

(Settings) > [Game Mode]

- [Gamer 1]/[Gamer 2]: [Gamer 1] and [Gamer 2] picture modes allow you to save two sets of customized display settings, including game-related setup options.
- [FPS]: This mode is optimized for FPS games. It is suitable for very dark FPS games.
- [RTS]: This mode is optimized for RTS games.
- [Vivid]: Optimized the screen for vivid colors.
- [Reader]: Optimizes the screen for reading documents.
- [HDR Effect]: Optimizes the screen for high dynamic range.
- [sRGB]: A standard RGB color space for the monitor and printer.
- [Color Weakness]: This mode is for users who cannot distinguish between red and green. It enables users with color weakness to easily distinguish between the two colors.
- [Calibration 1]/[Calibration 2]: Adjusts to the calibrated screen.
 - Please install LG Calibration Studio to run calibration.

! NOTE

- The [Game Mode] can be set depends on the Input signal.
- If the [Game Mode] is changed in the DP (DisplayPort) input, the screen may flicker or the resolution of your PC screen may be affected.
- HDR content may not display correctly depending on Windows 10 OS settings, please check HDR On/Off settings in Windows.
- When the HDR function is turned on, the characters or picture quality may be poor according to Graphic card performance.
- While the HDR function is on, screen flickering or cracking may occur when changing the monitor input or power on/off according to Graphic card performance.
- For information about whether the graphics card and game support HDR, visit their manufacture's website.

[Game Adjust]

(Settings) > [Game Adjust]

- [Adaptive-Sync]/[VRR]: This function shows a clear screen without screen tearing or stuttering in the game environment.
However, screen flickering may occur in some game environments.
- [Black Stabilizer]: You can control the black contrast to have better visibility in dark scenes. You can easily distinguish objects on dark game screens.
- [Crosshair]: Crosshair provides a mark on the center of the screen for First Person Shooter (FPS) games. Users can select the crosshair that fits their gaming environment among four different crosshairs.
- [FPS Counter]
 - [On]: The indicator is displayed on the upper left of the screen. It will reflect the actual frame rate that is received at the input. You can also adjust the position of [FPS Counter]. (upper left/upper right/lower right/lower left)
 - [Off]: Does not use the [FPS Counter] feature.
 - [FPS Counter] and [Crosshair] feature can not be used at the same time.
- [Game Reset]: Returns game settings to the default settings.

[Picture Adjust]

(Settings) > [Picture Adjust]

- [Brightness]: Adjusts the brightness of the screen.
- [Contrast]: Adjusts the contrast of the screen.
- [Sharpness]: Adjusts the sharpness of the screen.
- [Gamma]
 - [Mode 1], [Mode 2], [Mode 3]: The higher the gamma value, the darker the image becomes. Likewise, the lower the gamma value, the lighter the image becomes.
 - [Mode 4]: If you do not need to adjust the gamma settings, select [Mode 4].
- [Color Temp]: Set your own color temperature.
 - [Custom]: The user can customize the red, green and blue color.
 - [Warm]: Sets the screen color to a reddish tone.
 - [Medium]: Sets the screen color to between a red and blue tone.
 - [Cool]: Sets the screen color to a bluish tone.
 - [Manual]: The user can fine-tune the color temperature.
- [R/G/B]: You can customize the picture color using red, green, and blue colors.
 - [Six Color]: Meets the user requirements for colors by adjusting the hue and saturation of the six colors (red, green, blue, cyan, magenta, and yellow) and then saving the settings.
 - Hue: Adjusts the tone of the screen colors.
 - Saturation: Adjusts the saturation of the screen colors. The lower the value, the less saturated and brighter the colors become. The higher the value, the more saturated and darker the colors become.
 - [Black Level]: Sets the offset level (for HDMI only).
 - [High]: Keeps the current contrast ratio of the screen.
 - [Low]: Lowers the black levels and raises the white levels from the current contrast ratio of the screen.
 - [Picture Reset]: Returns picture and color to the default settings.

[Input] (Settings) > [Input]

- [Input List]: Selects the input mode.

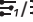
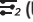
PBP/PIP Connection		Sub Screen		
		HDMI 1	HDMI 2	DP
Main Screen	HDMI 1	-	○	○
	HDMI 2	○	-	○
	DP	○	○	-

- [Aspect Ratio]: Adjusts the aspect ratio of the screen. The display may look the same for [Full Wide], [Original], and [Just Scan] options at the recommended resolution.
 - [Full Wide]: Displays the video in widescreen, regardless of the video signal input.
 - [Original]: Displays video according to the aspect ratio of the video signal input.
 - [Just Scan]: The aspect ratio is not adjusted from the original.
 - [Cinema 1]: Enlarges the screen with an aspect ratio of 21:9.
 - [Cinema 2]: Enlarges the screen with an aspect ratio of 21:9, including the black box at the bottom for subtitles.
- [Auto Input Switch]: When [Auto Input Switch] is set to [On], display will automatically switch to new input when connected.
- [PBP / PIP]: Displays the screens of two input modes on one monitor.
- [PIP Size]: Changes the size of the PIP sub-screen.
- [PIP Position]: Changes the position of the PIP sub-screen.
- [Screen Switch]: Switches the main screen/sub-screen in PBP/PIP mode.
- [Sound Switch]: Switch the main screen/sub-screen sound in PBP/PIP mode.

! NOTE

- If not using the [PBP / PIP] feature, [PIP Size], [PIP Position], [Screen Switch] and [Sound Switch] are deactivated.
- Some features and HDR functions are not supported in PBP/ PIP mode.

[General] (Settings) > [General]

- [Language]: Sets the menu screen to the desired language.
- [Hexagon Lighting]: Sets the lighting on the back of the monitor.
 - [Static 1], [Static 2], [Static 3], [Static 4]: Sets the lighting to the desired color.
 - [Cycling]: All colors appear alternately.
 - [Off]: Turns off the light on the back of the monitor.
- [User-defined Key 1]/[User-defined Key 2]: It can be set so that the user can directly access the desired menu. The functions set in [User-defined Key 1]/[User-defined Key 2] can be checked with the  /  (**User-defined Key**) buttons on the remote control.
- [Sound Out]: Changes the desired audio output method.
- [DTS Headphone:X]: Enables the realization of three-dimensional sound with headphones or earphone.
 - [Game]: This mode is optimized for Game.
 - [Entertainment]: This mode is optimized for Entertainment.
 - [Sports]: This mode is optimized for Sports.
 - [Off]: Disables DTS Headphone:X function.

- [SMART ENERGY SAVING]: Conserve energy by using luminance compensation algorithm.
 - [High]: Saves energy using the high-efficiency [SMART ENERGY SAVING] feature.
 - [Low]: Saves energy using the low-efficiency [SMART ENERGY SAVING] feature.
 - [Off]: Disables the feature.
 - The value of energy saving data may differ depending on panel and panel suppliers.
 - If you select the option of [SMART ENERGY SAVING] is [High] or [Low], monitor luminance become higher or lower depend on source.
- [Deep Sleep Mode]: When [Deep Sleep Mode] is [On], power consumption is minimized while the monitor is in standby mode.
 - [On]: Enables [Deep Sleep Mode].
 - [Off]: Disables [Deep Sleep Mode].
- [Automatic Standby]: If there is no operation on the monitor for a certain period of time, the monitor will automatically switch to standby mode.
- [Input Compatibility Version]: You can set each input to match the supported version of the connected device.
- [Remote Setting]: Supports only the monitor remote control to operate in case of confusion with other remote controls.
- [Buzzer]: This feature lets you set the sound generated from [Buzzer] when your monitor powers on.
- [OSD Lock]: This feature disables the configuration and adjustment of menus.
All features are disabled except [Brightness], [Contrast] in [Picture Adjust], [Input], [OSD Lock] and [Information] in [General].
- [Information]: The following display information will be shown; [Total Power On Time], [Resolution].
- [Reset to Initial Settings]: Returns to the default settings.

Important Information for Preventing Image Retention

Unlike regular LED/LCD monitors, pixels in the OLED monitors emit light on their own, achieving a perfect black and creating clear images without blurring of light.

Image retention does not occur in normal use of the product, but can occur if the same screen is watched for a long time. Built-in features are available to protect the screen from possible image retention.

If a static image persists on the screen, the screen saver will automatically lower the full screen brightness, and the screen will turn off automatically after a certain period of time. When an image change is detected, the brightness is automatically restored to its original state. This is not a malfunction of the product.

Examples of Images that may Cause Image Retention

- Static images or images containing objects/information that are constantly visible in a fixed position on the screen (e.g., icons on the desktop, fixed windows such as menus, or logos while watching broadcasts, etc.)
- Fixed menu/icon on a game console or set-top box
- Fixed menu on the top corner of the web browser

Recommendations For Preventing Image Retention

• [Screen Move]

Moving the screen minutely at regular intervals helps to prevent panel noise caused by images that have been fixed for a long time.

It is recommended to set  (OLED Care) > [OLED Care] > [Screen Move] to on.

• [Screen Saver]

If there is no movement on the screen for a certain period of time, the screen turns off automatically.

It is recommended to set  (OLED Care) > [OLED Care] > [Screen Saver] to on.

• [Image Cleaning]

Corrects screen problems that may occur when the monitor is turned on for a long time. Calibration will take approximately 10 minutes to complete.

It is automatically executed when entering power saving mode or turning off the power after more than 4 hours of use from the previous [Image Cleaning] completion.

It can be operated manually in  (OLED Care) > [OLED Care] > [Image Cleaning].

• [Pixel Cleaning]

Corrects pixel problems that may occur when the monitor is turned on for a long time. Calibration will take approximately 1 minute to complete.

It is automatically executed when entering power saving mode or turning off the power after more than 500 hours of use from the previous [Pixel Cleaning] completion.

It can be operated manually in  (OLED Care) > [OLED Care] > [Pixel Cleaning].

Safety precautions for prolonged use

Due to the unique properties of OLED panels, the brightness may be reduced with prolonged use. Reduced brightness is permanent.

In addition, repeated use in conditions such as high temperature and high humidity or still images/high luminance may result in afterimages, image blurring, or screen malfunction.

PRODUCT SPECIFICATION

Specifications are subject to change without notice.

The ~ symbol means alternating current, and the — symbol means direct current.

Color Depth:

- 8-bit/ 10-bit/ 12-bit color is supported.

Resolution

- Max Resolution:
 - 3440 x 1440 @ 240 Hz
- Recommended Resolution:
 - 3440 x 1440 @ 240 Hz

Environmental Conditions

- Operating Conditions
 - Temperature: 0 °C to 40 °C (32 °F to 104 °F)
 - Humidity: Less than 80 %
- Storing Conditions
 - Temperature: -20 °C to 60 °C (-4 °F to 140 °F)
 - Humidity: Less than 85 %

Dimensions: Monitor Size (Width x Height x Depth)

- With Stand:
 - 992.7 x 647.7 x 362.5 (mm)
 - 39 x 25.5 x 14.2 (inches)
- Without Stand:
 - 992.7 x 457 x 218 (mm)
 - 39 x 17.9 x 8.5 (inches)

Weight (Without Packaging)

- With Stand: 10.9 kg (24 lbs)
- Without Stand: 8.6 kg (18.9 lbs)

AC/DC Adapter

- Model: ACC-LATP2
Manufacturer: SHENZHEN HONOR ELECTRONIC CO., LTD
 - Input: 100-240 V~ 50/60 Hz 2.5 A
 - Output: 19.5 V--- 10.8 A
- Model: AD10630LF
Manufacturer: PI ELECTRONICS (H.K.) Ltd.
 - Input: 100-240 V~ 50/60 Hz 2.5 A
 - Output: 19.5 V--- 10.8 A

Power Sources

- Power Rating: 19.5 V--- 8.0 A
- Power Consumption
 - Operating Mode: 129 W (Typical)*
 - Sleep Mode (Standby Mode): ≤ 0.5 W**

* The Operating Mode of Power Consumption is measured with LGE test standard. (Full White pattern, Maximum resolution, Outgoing condition)

* The Power Consumption level can be different by operating condition and monitor setting.

** When not in use, the monitor goes to the sleep mode in a couple of minutes. (Max. 5 minutes)

Support Mode

(Preset Mode, HDMI / DisplayPort)

Resolution	Horizontal Frequency (kHz)	Vertical Frequency (Hz)	Polarity (H/V)	Remarks
640 x 480	31.469	59.94	-/-	
720 x 480	29.83	59.78	+/-	PIP 480p
800 x 600	37.879	60.317	+/+	
1024 x 768	48.363	60	-/-	
1280 x 720	44.44	59.98	+/-	PIP 720p
1280 x 720	45	60	+/+	HDMI / DP(PIP/PBP)
1280 x 1024	79.976	75.025	+/+	
1720 x 1440	88.83	59.98	+/-	HDMI only HDMI(PBP)
1720 x 1440	150.93	99.95	+/-	PBP
1720 x 1440	182.98	119.99	+/-	PBP
1920 x 1080	67.5	60	+/+	
1920 x 1080	137.26	119.98	+/-	DisplayPort only DisplayPort1.4(DSC) / DisplayPort1.4
2560 x 1440	183	120	+/-	HDMI only HDMI2.1

Resolution	Horizontal Frequency (kHz)	Vertical Frequency (Hz)	Polarity (H/V)	Remarks
3440 x 1440	73.68	49.99	+/-	
3440 x 1440	88.82	59.97	+/-	HDMI2.1(PC) / DisplayPort
3440 x 1440	127.36	84.96	+/-	HDMI only HDMI2.1
3440 x 1440	150.97	99.98	+/-	DisplayPort only
3440 x 1440	182.99	119.99	+/-	HDMI2.1(PC) / DisplayPort1.4(DSC*) / DisplayPort1.4
3440 x 1440	222.15	143.97	+/-	HDMI2.1(PC) / DisplayPort1.4(DSC*) / DisplayPort1.4
3440 x 1440	388.54	239.99	+/-	Recommended Timing (HDMI / DisplayPort) HDMI2.1(PC) / DisplayPort1.4(DSC*)

If the input timing is used outside of the supported frequency, response speed or image quality may deteriorate.

*DSC: Display Stream Compression.

HDMI Timing (Video)

Resolution	Horizontal Frequency (kHz)	Vertical Frequency (Hz)
640 x 480p	31.5	60
1280 x 720p	45	60
1920 x 1080p	67.5	60
3840 x 2160p	135	60

TROUBLESHOOTING

Nothing is displayed on the screen.

- Is the monitor's power cord plugged in?
 - Check if the power cord is correctly plugged into the power outlet.
 - If the monitor is in sleep mode (standby mode), move the mouse, or press any key on the keyboard, to switch the display on.
 - Check if the computer is turned on.
- Is the monitor powered on?
 - Check if the input setting is correct. (⚙️ **Settings**) > [Input]
- Is the [The screen is not currently set to the recommended resolution.] message being displayed?
 - This occurs when signals transferred from the PC (graphics card) are out of the recommended horizontal or vertical frequency range of the monitor. Please see the PRODUCT SPECIFICATION section of this manual to set the appropriate frequency.
- Is the [No Signal] message being displayed?
 - This is displayed when the signal cable between the PC and the monitor is missing or disconnected. Check the cable and reconnect it.
- Is the [Out of Range] message being displayed?
 - This occurs when signals transferred from the PC (graphics card) are out of the horizontal or vertical frequency range of the monitor. Please see the PRODUCT SPECIFICATION section of this manual to set the appropriate frequency.

Do you see an "Unrecognized monitor, Plug and Play (VESA DDC) monitor found" message?

- Have you installed the display driver?
 - Be sure to install the display driver from our web site: <http://www.lg.com>.
 - Make sure to check if the graphics card supports Plug and Play function.

Screen display is unstable and shaky. / Images displayed on the monitor leave shadow trails.

- Did you select the appropriate resolution?
 - If the selected resolution is HDMI 1080i 60/50 Hz (interlaced), the screen may be flickering. Change the resolution to 1080p or the recommended resolution.
 - Not setting the graphics card to the recommended (optimal) resolution may result in blurred text, a dimmed screen, a truncated display area or misalignment of the display.
 - The setting methods may be different depending on the computer or operating system, and some resolutions may not be available depending on the performance of the graphics card. If this is the case, contact the manufacturer of the computer or graphics card for assistance.
- Are there spots on the screen?
 - When using the monitor, pixilated spots (red, green, blue, white, or black) may appear on the screen. It is not an error, nor is it related to the monitor's performance.

Some features are disabled.

- Are some functions not available when you press  (Settings)?
 - The OSD is locked. Disable [OSD Lock] in [General].

No sound from the headset port.

- Are images displayed using DisplayPort or HDMI input without sound?
 - Make sure that the headset port connections are made properly.
 - Use the power button or the **+ / - (Volume)** button on the remote control to increase the volume.
 - Set the audio output of the PC to the monitor you are using. (The settings may differ depending on the operating system (OS) you use.)
 - Set [Sound Out] to [H/P Out].

LICENSE

Each model has different licenses. Visit www.lg.com for more information on the license.



The terms HDMI, HDMI High-Definition Multimedia Interface, HDMI Trade Dress and the HDMI Logos are trademarks or registered trademarks of HDMI Licensing Administrator, Inc.



The SuperSpeed USB Trident logo is a registered trademark of USB Implementers Forum, Inc.



For DTS patents, see <http://patents.dts.com>. Manufactured under license from DTS Licensing Limited. DTS, the Symbol, & DTS and the Symbol together, Headphone:X, and the DTS Headphone:X logo are registered trademarks and/or trademarks of DTS, Inc. in the United States and/or other countries. © DTS, Inc. All Rights Reserved.

OPEN SOURCE SOFTWARE NOTICE INFORMATION

To obtain the source code that is contained in this product, under GPL, LGPL, MPL, and other open source licenses that have the obligation to disclose source code, and to access all referred license terms, copyright notices and other relevant documents, please visit <https://opensource.lge.com>.

LG Electronics will also provide open source code to you on CD-ROM for a charge covering the cost of performing such distribution (such as the cost of media, shipping, and handling) upon email request to opensource@lge.com.

This offer is valid to anyone in receipt of this information for a period of three years after our last shipment of this product.

BEEP GUIDE

Menu	Location
Game Mode	1
Game Mode - Gamer 1	1 1
Game Mode - Gamer 2	1 2
Game Mode - FPS	1 3
Game Mode - RTS	1 4
Game Mode - Vivid	1 5
Game Mode - Reader	1 6
Game Mode - HDR Effect	1 7
Game Mode - sRGB	1 8
Game Mode - Color Weakness	1 9
Game Mode - Calibration 1	1 10
Game Mode - Calibration 2	1 11
Game Adjust	2
Game Adjust - VRR / Adaptive-Sync	2 1
Game Adjust - VRR / Adaptive-Sync - On	2 1 1
Game Adjust - VRR / Adaptive-Sync - Off	2 1 2
Game Adjust - Black Stabilizer	2 2
Game Adjust - Black Stabilizer	2 2 1 Slider
Game Adjust - Crosshair	2 3
Game Adjust - Crosshair - Red Cross	2 3 1
Game Adjust - Crosshair - Green Cross	2 3 2
Game Adjust - Crosshair - Red Dot	2 3 3
Game Adjust - Crosshair - Green Dot	2 3 4
Game Adjust - Crosshair - Off	2 3 5
Game Adjust - FPS Counter	2 4
Game Adjust - FPS Counter - On	2 4 1
Game Adjust - FPS Counter - Off	2 4 2

Menu	Location
Game Adjust - Game Reset	25
Game Adjust - Game Reset - No	25 1
Game Adjust - Game Reset - Yes	25 2
Picture Adjust	3
Picture Adjust - Brightness	3 1
Picture Adjust - Brightness	3 1 1 Slider
Picture Adjust - Contrast	3 2
Picture Adjust - Contrast	3 2 1 Slider
Picture Adjust - Sharpness	3 3
Picture Adjust - Sharpness	3 3 1 Slider
Picture Adjust - Gamma	3 4
Picture Adjust - Gamma - Mode 1	3 4 1
Picture Adjust - Gamma - Mode 2	3 4 2
Picture Adjust - Gamma - Mode 3	3 4 3
Picture Adjust - Gamma - Mode 4	3 4 4
Picture Adjust - Color Temp	3 5
Picture Adjust - Color Temp - Custom	3 5 1
Picture Adjust - Color Temp - Warm	3 5 2
Picture Adjust - Color Temp - Medium	3 5 3
Picture Adjust - Color Temp - Cool	3 5 4
Picture Adjust - Color Temp - Manual	3 5 5
Picture Adjust - Color Temp - Manual	3 5 5 1 Slider
Picture Adjust - R/G/B	3 6
Picture Adjust - R/G/B - Red	3 6 1
Picture Adjust - R/G/B - Red	3 6 1 1 Slider
Picture Adjust - R/G/B - Green	3 6 2
Picture Adjust - R/G/B - Green	3 6 2 1 Slider
Picture Adjust - R/G/B - Blue	3 6 3
Picture Adjust - R/G/B - Blue	3 6 3 1 Slider
Picture Adjust - Six Color	3 7

Menu	Location
Picture Adjust - Six Color - Red Hue	3 7 1
Picture Adjust - Six Color - Red Hue	3 7 1 1 Slider
Picture Adjust - Six Color - Red Saturation	3 7 2
Picture Adjust - Six Color - Red Saturation	3 7 2 1 Slider
Picture Adjust - Six Color - Green Hue	3 7 3
Picture Adjust - Six Color - Green Hue	3 7 3 1 Slider
Picture Adjust - Six Color - Green Saturation	3 7 4
Picture Adjust - Six Color - Green Saturation	3 7 4 1 Slider
Picture Adjust - Six Color - Blue Hue	3 7 5
Picture Adjust - Six Color - Blue Hue	3 7 5 1 Slider
Picture Adjust - Six Color - Blue Saturation	3 7 6
Picture Adjust - Six Color - Blue Saturation	3 7 6 1 Slider
Picture Adjust - Six Color - Cyan Hue	3 7 7
Picture Adjust - Six Color - Cyan Hue	3 7 7 1 Slider
Picture Adjust - Six Color - Cyan Saturation	3 7 8
Picture Adjust - Six Color - Cyan Saturation	3 7 8 1 Slider
Picture Adjust - Six Color - Magenta Hue	3 7 9
Picture Adjust - Six Color - Magenta Hue	3 7 9 1 Slider
Picture Adjust - Six Color - Magenta Saturation	3 7 10
Picture Adjust - Six Color - Magenta Saturation	3 7 10 1 Slider
Picture Adjust - Six Color - Yellow Hue	3 7 11
Picture Adjust - Six Color - Yellow Hue	3 7 11 1 Slider
Picture Adjust - Six Color - Yellow Saturation	3 7 12
Picture Adjust - Six Color - Yellow Saturation	3 7 12 1 Slider
Picture Adjust - Black Level	3 8
Picture Adjust - Black Level - High	3 8 1
Picture Adjust - Black Level - Low	3 8 2
Picture Adjust - Picture Reset	3 9
Picture Adjust - Picture Reset - No	3 9 1
Picture Adjust - Picture Reset - Yes	3 9 2

Menu	Location
Input	4
Input - Input List	4 1
Input - Input List - HDMI 1 / Main	4 1 1
Input - Input List - Main - HDMI 1	4 1 1 1
Input - Input List - Main - HDMI 2	4 1 1 2
Input - Input List - Main - DisplayPort	4 1 1 3
Input - Input List - HDMI 2 / Sub	4 1 2
Input - Input List - Sub - HDMI 1	4 1 2 1
Input - Input List - Sub - HDMI 2	4 1 2 2
Input - Input List - Sub - DisplayPort	4 1 2 3
Input - Input List - DisplayPort	4 1 3
Input - Aspect Ratio	4 2
Input - Aspect Ratio - Full Wide / Main	4 2 1
Input - Aspect Ratio - Main - Full Wide	4 2 1 1
Input - Aspect Ratio - Main - Original	4 2 1 2
Input - Aspect Ratio - Main - Just Scan	4 2 1 3
Input - Aspect Ratio - Main - Cinema 1	4 2 1 4
Input - Aspect Ratio - Main - Cinema 2	4 2 1 5
Input - Aspect Ratio - Original / Sub	4 2 2
Input - Aspect Ratio - Sub - Full Wide	4 2 2 1
Input - Aspect Ratio - Sub - Original	4 2 2 2
Input - Aspect Ratio - Just Scan	4 2 3
Input - Aspect Ratio - Cinema 1	4 2 4
Input - Aspect Ratio - Cinema 2	4 2 5
Input - Auto Input Switch	4 3
Input - Auto Input Switch - On	4 3 1
Input - Auto Input Switch - Off	4 3 2
Input - PBP / PIP	4 4
Input - PBP / PIP - Off	4 4 1
Input - PBP / PIP - Off - HDMI 1	4 4 1 1

Menu	Location
Input - PBP / PIP - Off - HDMI 2	4 4 1 2
Input - PBP / PIP - Off - DisplayPort	4 4 1 3
Input - PBP / PIP - PBP	4 4 2
Input - PBP / PIP - PIP	4 4 3
Input - PIP Size	4 5
Input - PIP Size - Small	4 5 1
Input - PIP Size - Large	4 5 2
Input - PIP Position	4 6
Input - PIP Position - Bottom Right	4 6 1
Input - PIP Position - Bottom Left	4 6 2
Input - PIP Position - Top Left	4 6 3
Input - PIP Position - Top Right	4 6 4
Input - Screen Switch	4 7
Input - Screen Switch - Ok	4 7 1
Input - Sound Switch	4 8
Input - Sound Switch - Ok	4 8 1
General	5
General - Language	5 1
General - Language - English	5 1 1
General - Language - German	5 1 2
General - Language - French	5 1 3
General - Language - Spanish	5 1 4
General - Language - Italian	5 1 5
General - Language - Swedish	5 1 6
General - Language - Finnish	5 1 7
General - Language - Portuguese	5 1 8
General - Language - Portuguese (Brazil)	5 1 9
General - Language - Polish	5 1 10
General - Language - Russian	5 1 11
General - Language - Turkish	5 1 12

Menu	Location
General - Language - Ukrainian	5 1 13
General - Language - Chinese	5 1 14
General - Language - Traditional Chinese	5 1 15
General - Language - Japanese	5 1 16
General - Language - Korean	5 1 17
General - Hexagon Lighting	5 2
General - Hexagon Lighting - Static 1	5 2 1
General - Hexagon Lighting - Static 1	5 2 1 Color Chip
General - Hexagon Lighting - Static 2	5 2 2
General - Hexagon Lighting - Static 2	5 2 2 Color Chip
General - Hexagon Lighting - Static 3	5 2 3
General - Hexagon Lighting - Static 3	5 2 3 Color Chip
General - Hexagon Lighting - Static 4	5 2 4
General - Hexagon Lighting - Static 4	5 2 4 Color Chip
General - Hexagon Lighting - Cycling	5 2 5
General - Hexagon Lighting - Off	5 2 6
General - User-defined Key 1	5 3
General - User-defined Key 1 - Input	5 3 1
General - User-defined Key 1 - Game Mode	5 3 2
General - User-defined Key 1 - Crosshair	5 3 3
General - User-defined Key 1 - Black Stabilizer	5 3 4
General - User-defined Key 1 - FPS Counter	5 3 5
General - User-defined Key 1 - Hexagon Lighting	5 3 6
General - User-defined Key 1 - PBP / PIP	5 3 7
General - User-defined Key 2	5 4
General - User-defined Key 2 - Input	5 4 1
General - User-defined Key 2 - Game Mode	5 4 2
General - User-defined Key 2 - Crosshair	5 4 3
General - User-defined Key 2 - Black Stabilizer	5 4 4
General - User-defined Key 2 - FPS Counter	5 4 5

Menu	Location
General - User-defined Key 2 - Hexagon Lighting	5 4 6
General - User-defined Key 2 - PBP / PIP	5 4 7
General - Sound Out	5 5
General - Sound Out - H/P Out	5 5 1
General - Sound Out - Optical Jack	5 5 2
General - DTS Headphone:X	5 6
General - DTS Headphone:X - Game	5 6 1
General - DTS Headphone:X - Entertainment	5 6 2
General - DTS Headphone:X - Sports	5 6 3
General - DTS Headphone:X - Off	5 6 4
General - SMART ENERGY SAVING	5 7
General - SMART ENERGY SAVING - High	5 7 1
General - SMART ENERGY SAVING - Low	5 7 2
General - SMART ENERGY SAVING - Off	5 7 3
General - Deep Sleep Mode	5 8
General - Deep Sleep Mode - On	5 8 1
General - Deep Sleep Mode - Off	5 8 2
General - Automatic Standby	5 9
General - Automatic Standby - 8H	5 9 1
General - Automatic Standby - 6H	5 9 2
General - Automatic Standby - 4H	5 9 3
General - Automatic Standby - Off	5 9 4
General - Input Compatibility Version	5 10
General - Input Compatibility Version - 2.1(PC) / 1.4(DSC)	5 10 1
General - Input Compatibility Version - 2.1(AV) / 1.4	5 10 2
General - Input Compatibility Version - 1.4 / 1.2	5 10 3
General - Remote Setting	5 11
General - Remote Setting - Monitor + TV	5 11 1
General - Remote Setting - Monitor Remote Only	5 11 2

Menu	Location
General - Buzzer	5 12
General - Buzzer - On	5 12 1
General - Buzzer - Off	5 12 2
General - OSD Lock	5 13
General - OSD Lock - On	5 13 1
General - OSD Lock - Off	5 13 2
General - Information	5 14
General - Reset to Initial Settings	5 15
General - Reset to Initial Settings - No	5 15 1
General - Reset to Initial Settings - Yes	5 15 2



The model and serial number of the product are located on the back and on one side of the product.

Record them below in case you ever need service.

Model

Serial No.

Supplier's Declaration of Conformity

Trade Name	LG
Responsible Party	LG Electronics USA, Inc.
Address	111 Sylvan Avenue, North Building, Englewood Cliffs, NJ 07632
E-mail	lg.environmental@lge.com