

INSTALLATION GUIDE



WARNING! - IMPORTANT SAFETY INFORMATION

- NEVER, under any circumstances, open the power supply (PSU) due to high voltage inside. WARRANTY IS VOID once the cover is removed.
- DO NOT insert any object into the fan grill or the ventilation area.
- DO NOT place any object in front of the fan or the ventilation area that may obstruct or restrict airflow.
- USE ONLY the Seasonic modular cables provided in the packaging box.
- KEEP the PSU in a dry environment, away from humidity.
- The power supply is to be integrated into a computer system and not intended for external or outdoor usage.

Declaration of Conformity

This device complies with Part 15 of the FCC Rules. Operation is subject to the following two conditions: (1) this device may not cause harmful interference, and (2) this device must accept any interference received, including interference that may cause undesired operation.
Product: Switching Power Supply
Model name: Please refer to the rating label on the product.
Contact: www.seasonic.com/contact-us

1. Remove your old PSU

1.1. Turn off the power supply by setting the I/O switch to the "O" (OFF) position.

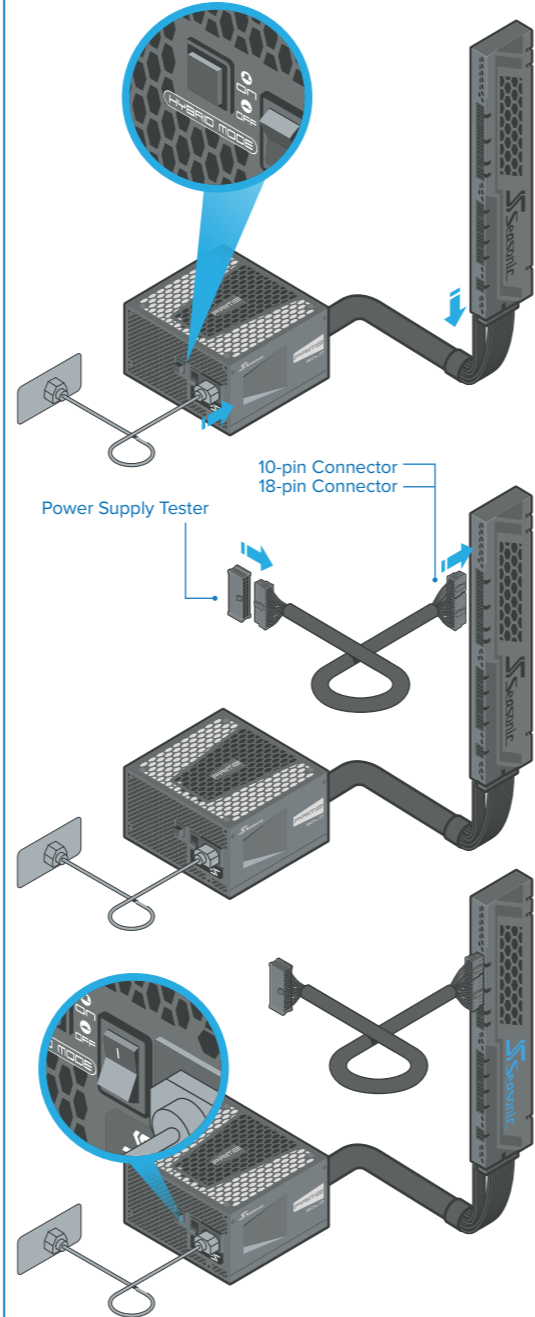
1.2. Disconnect your AC power cord from the wall socket and the back of the power supply.

1.3. Disconnect all DC cable connectors.

1.4. Remove all 4 mounting screws.

1.5. Remove your old PSU.

2. Test the Seasonic CONNECT before installation



2.1. Attach the Seasonic CONNECT to the PSU.

2.2. Plug the AC power cord into the PSU. Make sure that the AC power is coming directly from the wall outlet.

It is recommended to use a high quality surge protector to protect the PSU and the system.

2.3. Set the fan control of the power supply to Normal Mode.

In Hybrid or Fanless Mode (S³FC) the fan will not turn.

2.4. Connect both the 18-pin and the 10-pin connectors of the motherboard cable to the Seasonic CONNECT.

2.5. Attach the Power Supply Tester to the 24-pin motherboard connector. There is a notch on the Tester that fits directly into the notch on the 24-pin connector.

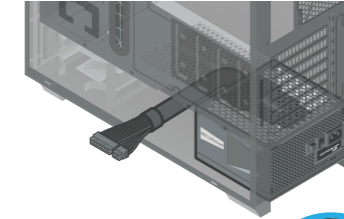
2.6. Turn on the power supply by setting the I/O switch to the "I" (ON) position.

If the power supply fan starts spinning, and the LED light on the Seasonic CONNECT is lit, then your PSU is working.

3. Position your PSU

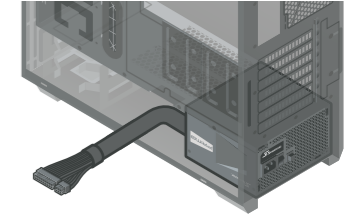
3.1. Bottom of standard ATX cases

The fan control setting determines the optimal PSU placement.



In "Hybrid" mode

Seasonic recommends to install your PSU with the ventilation top cover facing UPWARD, towards the direction of the motherboard. This will ensure natural heat dissipation.



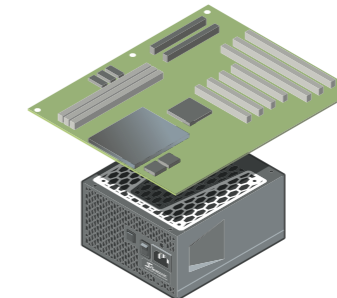
In "Normal" mode

Although the direction of mounting is optional, it is not recommended to install the PSU with the ventilation top cover facing downward if there are no ventilation holes on the bottom of the case.

To learn about the ventilation of your computer case, please refer to the case manufacturer's instruction manual.

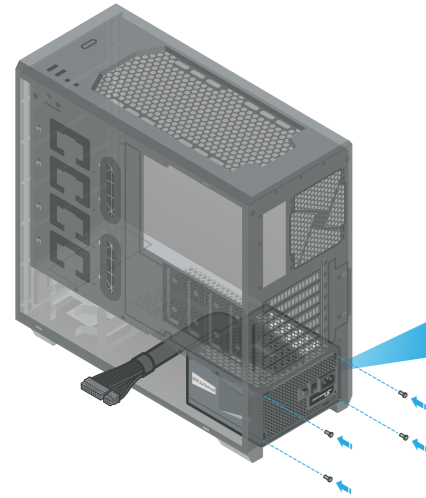
3.2. The Seasonic CONNECT cannot be used when the PSU is installed on the top side of the case.

3.3. Flat Desktop-, SFX- or ITX systems



In general, it is recommended to mount the PSU with the ventilation top cover facing the motherboard. Due to the different varieties of case designs and layouts, however, please also consult the case manufacturer's instruction manual for additional information.

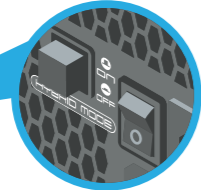
4. Install the Seasonic CONNECT



4.1. Secure all 4 mounting screws.

4.2. Make sure the PSU switch is in the "O" (OFF) position.

4.3. Select the fan control type if your PSU has this option.



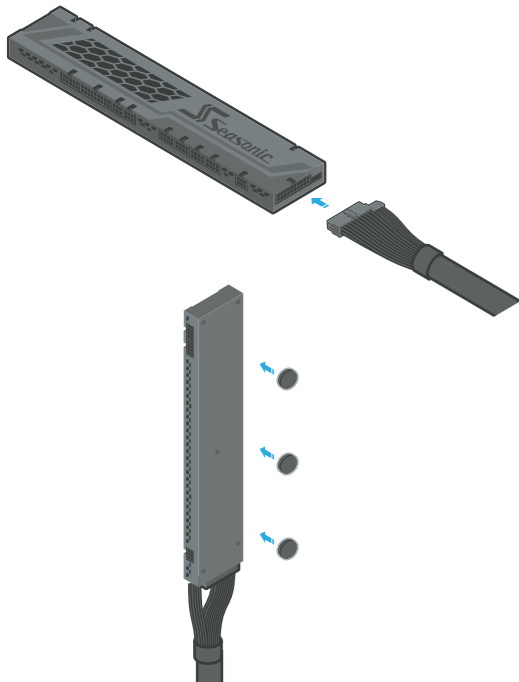
Hybrid Mode

or



Normal Mode

5. Install the Seasonic CONNECT



ATTENTION! The intended use of the Seasonic CONNECT and the PSU is to power PC systems. If you intend to do mining, please contact Seasonic for special cables.

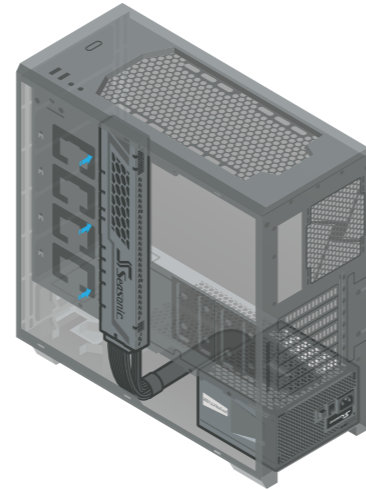
5.1. Plug the PSU cable into the Seasonic CONNECT.

5.2. Stick the anti-slip pads on either side of the magnets.

5.3. Attach the magnets to the back side of the CONNECT.

The Seasonic CONNECT ships with 6 magnets in the box. The optimal number and placement of the magnets depends on the design of your case.

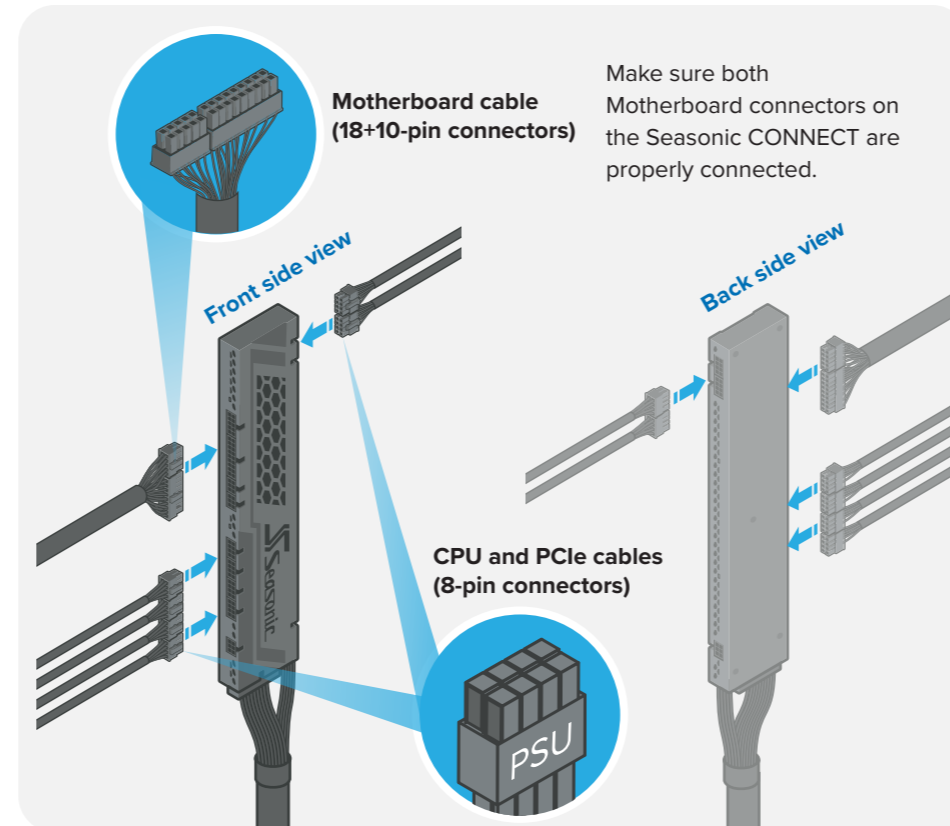
5. Install the Seasonic CONNECT



5.4. Attach the Seasonic CONNECT to the case.

5.5. Connect all the necessary system DC cables (Motherboard, CPU, VGA, HDD, Optical Drivers, etc). The connectors should click to lock in.

ATTENTION! Use only cables provided by Seasonic! Should you require additional cables, please contact Seasonic.

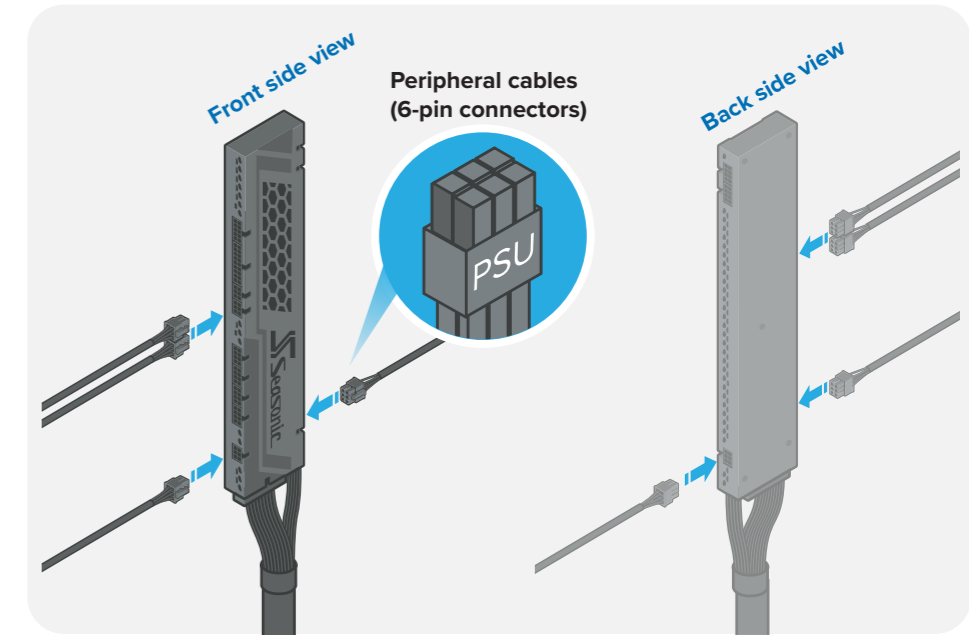


Motherboard cable (18+10-pin connectors)

Make sure both Motherboard connectors on the Seasonic CONNECT are properly connected.

CPU and PCIe cables (8-pin connectors)

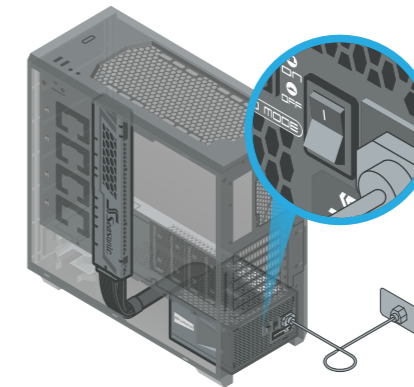
PSU



Front side view

Peripheral cables (6-pin connectors)

Back side view



5.6. Connect the AC power cord to the PSU. Plug the AC power cord into the wall socket.

5.7. Click the AC ON/OFF switch to the "I" (ON) position.

User Manual



seasonic.com/
user-manual

Product Registration



seasonic.com/
product-registration

Headquarters Sea Sonic Electronics Co., Ltd.
8F, #19, Alley 360, Sec.1, Neihu Road
Neihu, Taipei, Taiwan, R.O.C.

American Office Seasonic Electronics, Inc.
301 Aerojet Avenue, Azusa, CA91702, USA

European Office Sea Sonic Europe B.V.
Everdenberg 117, NL - 4902 TT
Oosterhout, The Netherlands