



Dear customer,

Congratulations on choosing the Noctua NH-L9x65. The NH-L9x65 is a taller, performance-enhanced version of our award-winning NH-L9 low-profile coolers. It fuses everything users have come to expect from our larger coolers into a compact premium package for space restricted systems.

Enjoy your NH-L9x65!

Yours sincerely,

*R. Müssig*  
Roland Müssig, Noctua CEO

This manual will guide you through the installation process of the SecuFirm2™ mounting system step by step.

Prior to installing the cooler, please consult the compatibility list on our website ([www.noctua.at/compatibility](http://www.noctua.at/compatibility)) and verify that the cooler is fully compatible with your motherboard.

Should you encounter any difficulties, please check the FAQs on our website ([www.noctua.at/faqs](http://www.noctua.at/faqs)) and don't hesitate to contact our support team at [support@noctua.at](mailto:support@noctua.at).

Noctua cannot be held responsible for any damage or losses caused by compatibility issues.

Multilingual versions of this manual are available on our website: [www.noctua.at/manuals](http://www.noctua.at/manuals)

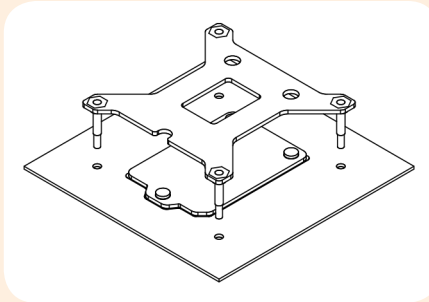
**Step 1**

**Removing the mainboard**

In case you want to use the cooler on an assembled system and your case doesn't have a cut-out at the rear side of the mainboard tray, you first have to remove the mainboard from the case in order to be able to install the supplied backplate.

**Step 2**

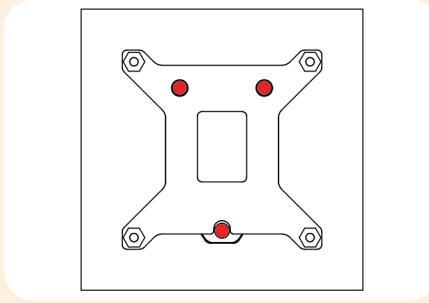
**Attaching the backplate**



**Caution:** The supplied backplate will install over the mainboard's stock backplate, so the mainboard's stock backplate must not be taken off.

Place the backplate on the rear side of the mainboard so that the bolts stick through the mounting holes.

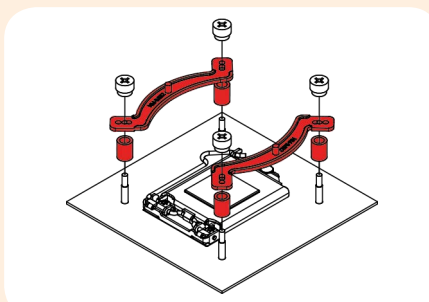
**Caution:** Please make sure that the three cut-outs in the supplied backplate align with the screws of the mainboard's stock backplate.



**Step 3**

**Installing the mounting bars**

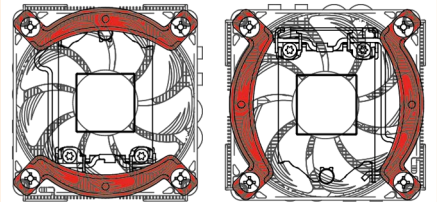
First put the plastic spacers onto the bolts of the backplate, then add the mounting bars.



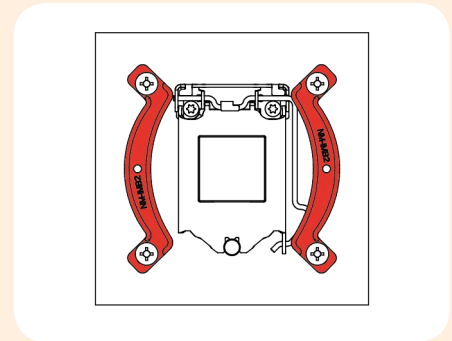
**Caution:** Choose the alignment of the mounting bars according to the desired final orientation of the cooler:

Orientation A

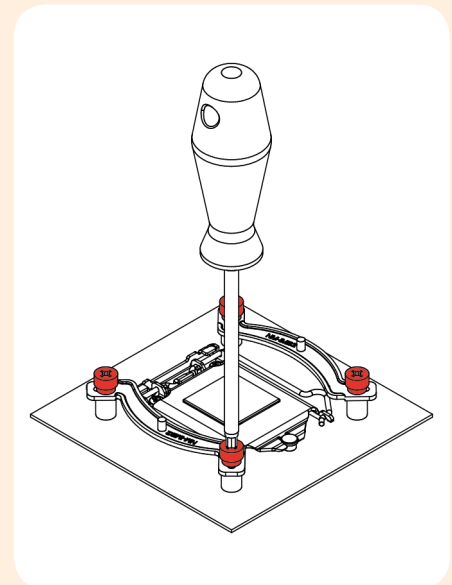
Orientation B



**Caution:** Make sure that the curved sides of the mounting bars are pointing outwards.

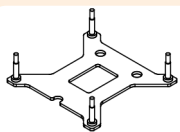


Fix the mounting bars using the 4 thumb screws.

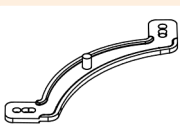


**Caution:** Gently tighten the screws until they stop, but don't use excessive force.

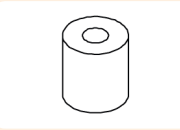
**Required mounting parts:**



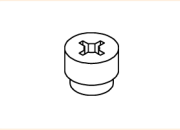
1x NM-IBP2 Backplate



2x NM-IMB2 Mounting Bars



4x NM-IPS1 Spacers



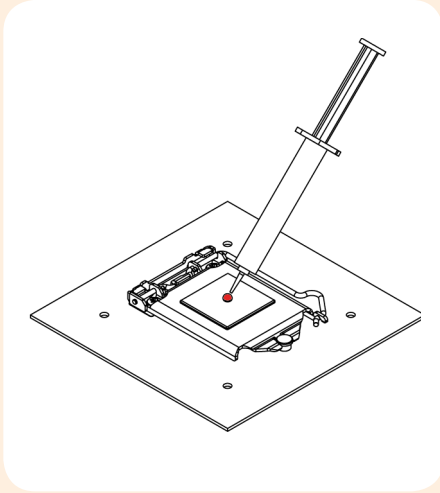
4x NM-ITS1 Thumbscrews



Step 4

### Applying thermal paste

If there are residual traces of thermal paste or thermal pads on your CPU, please clean them off first. Then press a small drop (4-5mm diameter) of NT-H1 onto the centre of the heatspreader.



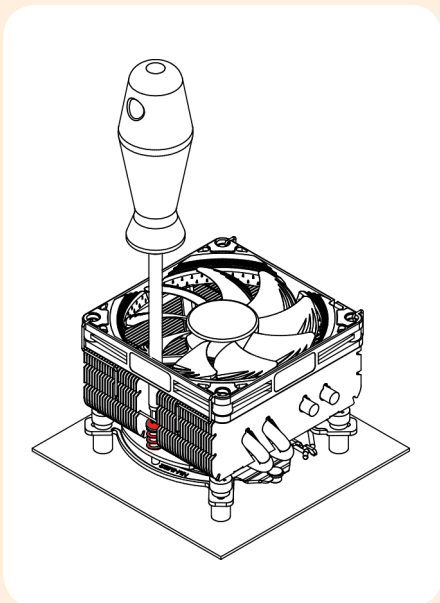
**Caution:** Applying too much thermal paste will lower heat conductivity and cooling performance!

Step 5

### Fastening the heatsink to the CPU

**Caution:** Please first take off the protection cover at the bottom side of the heatsink.

Then put the heatsink onto the CPU and screw it to the screw threads of the mounting bars. Note that you can reach through the blades of the fan using the supplied screw driver. There is thus no need to take off the fan for installation.



**Caution:** Tighten the screws until they stop.

Connect the fan to the mainboard's CPU fan header. Depending on your CPU and the temperature inside the case, you may interconnect the supplied NA-RC7 Low-Noise Adaptors (L.N.A.) in order to further reduce the fans' operating noise.

**Caution:** When using the L.N.A., check the temperature of your CPU using appropriate software (e.g. the respective applications of your mainboard manufacturer), in order to evade automatic throttling of the CPU due to the increased temperature. If the cooling performance is insufficient, please increase case ventilation or remove the L.N.A.

### Warranty, Support and FAQs

Even with high-grade products and strict quality control, the possibility of defects cannot be eliminated entirely. Therefore, we aim at providing the highest possible level of reliability and convenience by offering a warranty period of 6 years and direct, fast and straightforward RMA service.

Should you encounter any problems with your NH-L9x65, please don't hesitate to contact our support team ([support@noctua.at](mailto:support@noctua.at)).

Please also consult the FAQ section on our website: [www.noctua.at/faqs](http://www.noctua.at/faqs).



Dear customer,

Congratulations on choosing the Noctua NH-L9x65. The NH-L9x65 is a taller, performance-enhanced version of our award-winning NH-L9 low-profile coolers. It fuses everything users have come to expect from our larger coolers into a compact premium package for space restricted systems.

Enjoy your NH-L9x65!

Yours sincerely,

*R. Müssig*  
Roland Müssig, Noctua CEO

This manual will guide you through the installation process of the SecuFirm2™ mounting system step by step.

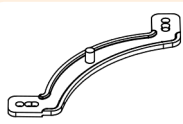
Prior to installing the cooler, please consult the compatibility list on our website ([www.noctua.at/compatibility](http://www.noctua.at/compatibility)) and verify that the cooler is fully compatible with your motherboard.

Should you encounter any difficulties, please check the FAQs on our website ([www.noctua.at/faqs](http://www.noctua.at/faqs)) and don't hesitate to contact our support team at [support@noctua.at](mailto:support@noctua.at).

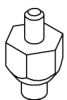
Noctua cannot be held responsible for any damage or losses caused by compatibility issues.

Multilingual versions of this manual are available on our website: [www.noctua.at/manuals](http://www.noctua.at/manuals)

**Required mounting parts:**



2x NM-IMB2 Mounting Bars



NM-IBT2 Bolts

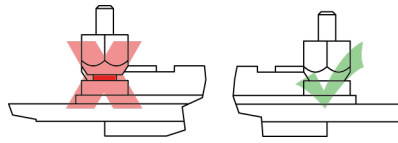
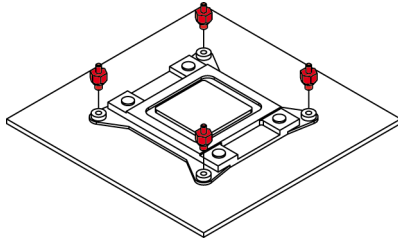


4x NM-ITS1 Thumbscrews

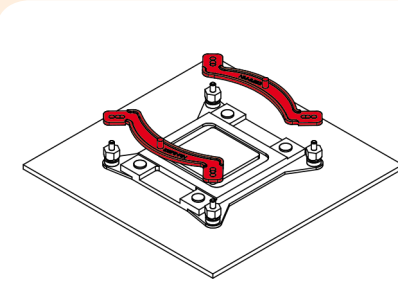
**Step 1**

**Installing the mounting bars**

First screw the NM-IBT2 bolts into the screw threads of the LGA2011 socket frame.



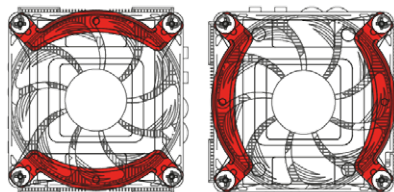
Then put the NM-IMB2 mounting-bars onto the bolts.



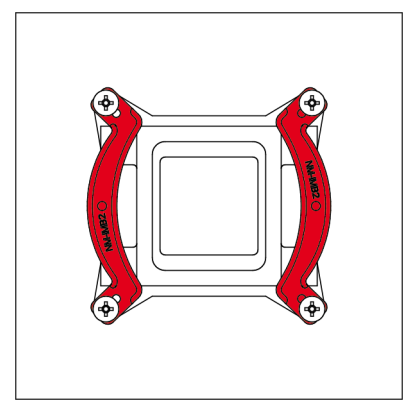
**Caution:** Choose the alignment of the mounting bars according to the desired final orientation of the cooler:

Orientation A

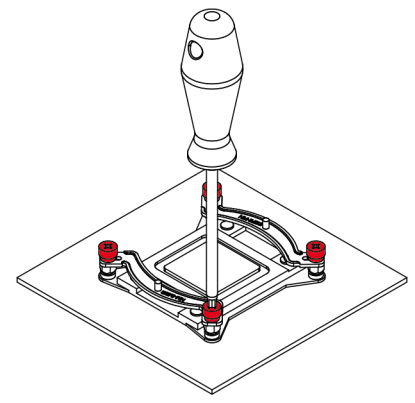
Orientation B



**Caution:** Make sure that the curved sides of the mounting bars are pointing outwards.



Fix the mounting bars using the 4 thumb screws.

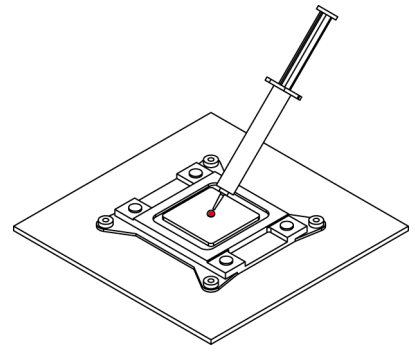


**Caution:** Gently tighten the screws until they stop, but don't use excessive force.

**Step 2**

**Applying thermal paste**

If there are residual traces of thermal paste or thermal pads on your CPU, please clean them off first. Then press a small drop (4-5mm diameter) of NT-H1 onto the centre of the heatspreader.



**Caution:** Applying too much thermal paste will lower the heat conductivity and cooling performance!

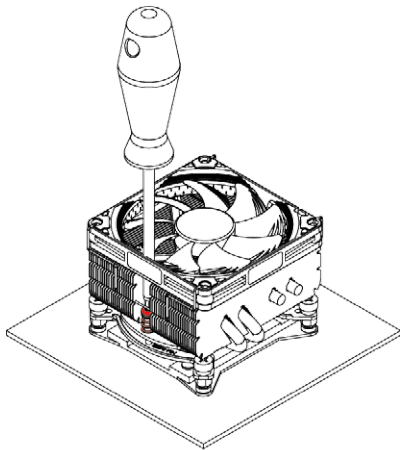


Step 3

### Fastening the heatsink to the CPU

**Caution:** Please first take off the protection cover at the bottom side of the heatsink.

Then put the heatsink onto the CPU and screw it to the screw threads of the mounting bars. Note that you can reach through the blades of the fan using the supplied screw driver. There is thus no need to take off the fan for installation.



**Caution:** Tighten the screws until they stop.

Connect the fan to the mainboard's CPU fan header. Depending on your CPU and the temperature inside the case, you may interconnect the supplied NA-RC7 Low-Noise Adaptors (L.N.A.) in order to further reduce the fans' operating noise.

**Caution:** When using the L.N.A., check the temperature of your CPU using appropriate software (e.g. the respective applications of your mainboard manufacturer), in order to evade automatic throttling of the CPU due to the increased temperature. If the cooling performance is insufficient, please increase case ventilation or remove the L.N.A.

### Warranty, Support and FAQs

Even with high-grade products and strict quality control, the possibility of defects cannot be eliminated entirely. Therefore, we aim at providing the highest possible level of reliability and convenience by offering a warranty period of 6 years and direct, fast and straightforward RMA service.

Should you encounter any problems with your NH-L9x65, please don't hesitate to contact our support team ([support@noctua.at](mailto:support@noctua.at)).

Please also consult the FAQ section on our website:  
[www.noctua.at/faqs](http://www.noctua.at/faqs).



Dear customer,

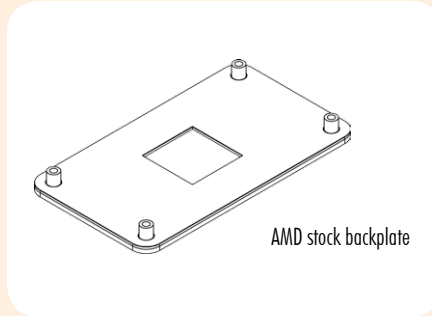
Congratulations on choosing the Noctua NH-L9x65. The NH-L9x65 is a taller, performance-enhanced version of our award-winning NH-L9 low-profile coolers. It fuses everything users have come to expect from our larger coolers into a compact premium package for space restricted systems.

Enjoy your NH-L9x65!

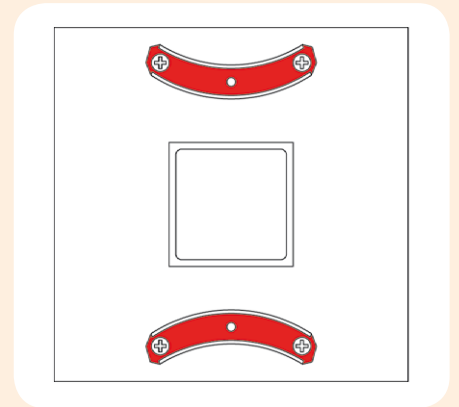
Yours sincerely,

*R. Müssig*  
Roland Müssig, Noctua CEO

**Caution:** The SecuFirm2™ mounting system requires a backplate, which is preinstalled on most AMD mainboards. If your mainboard doesn't have a backplate, please contact our support team at [support@noctua.at](mailto:support@noctua.at).



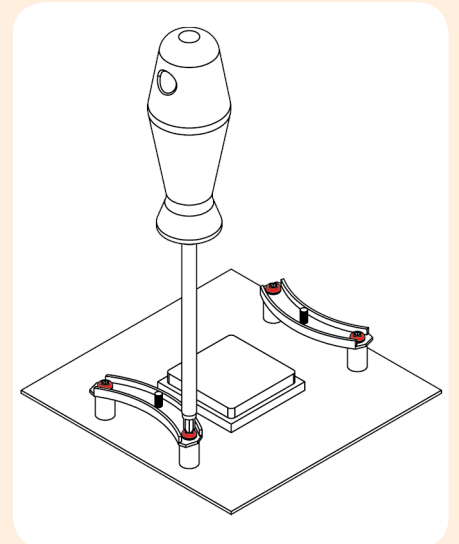
**Caution:** Make sure that the curved sides of the mounting bars are pointing inwards.



**Step 1**

**Removing the retention module**

If your mainboard uses a retention module for CPU cooler installation, please remove it first. The SecuFirm2™ mounting system will install directly to your mainboard's stock backplate on the rear side of the socket.



This manual will guide you through the installation process of the SecuFirm2™ mounting system step by step.

Prior to installing the cooler, please consult the compatibility list on our website ([www.noctua.at/compatibility](http://www.noctua.at/compatibility)) and verify that the cooler is fully compatible with your motherboard.

Should you encounter any difficulties, please check the FAQs on our website ([www.noctua.at/faqs](http://www.noctua.at/faqs)) and don't hesitate to contact our support team at [support@noctua.at](mailto:support@noctua.at).

Noctua cannot be held responsible for any damage or losses caused by compatibility issues.

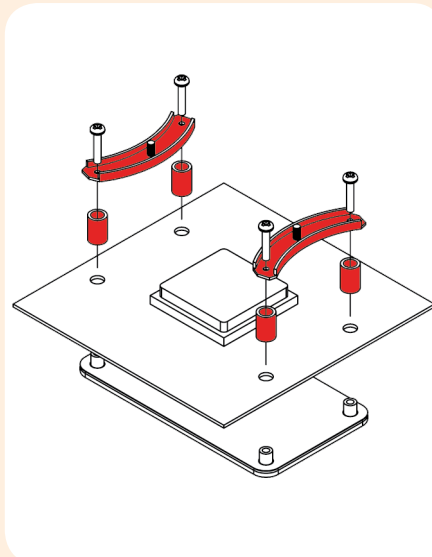
Multilingual versions of this manual are available on our website: [www.noctua.at/manuals](http://www.noctua.at/manuals)

**Step 2**

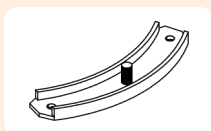
**Attaching the mounting bars**

First put the plastic spacers onto the screw threads, then fix the mounting bars using the 4 long screws.

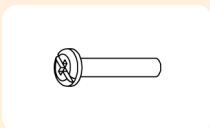
**Caution:** Tighten the screws until they stop.



**Required mounting parts:**



2x NM-AMB1 Mounting Bars



4x NM-ALS1 Screws

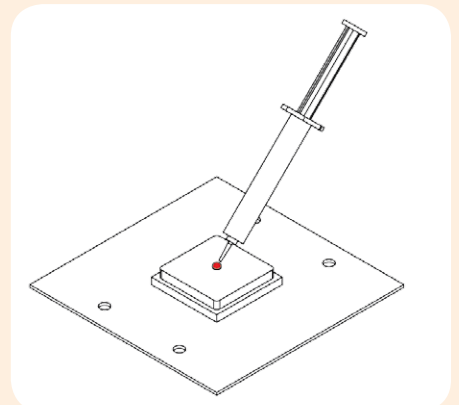


4x NM-APS1 Plastic Spacers

**Step 3**

**Applying thermal paste**

If there are residual traces of thermal paste or thermal pads on your CPU, please clean them off first. Then press a small drop (4-5mm diameter) of NT-H1 onto the centre of the heatspreader.



**Caution:** Applying too much thermal paste will lower the heat conductivity and cooling performance!

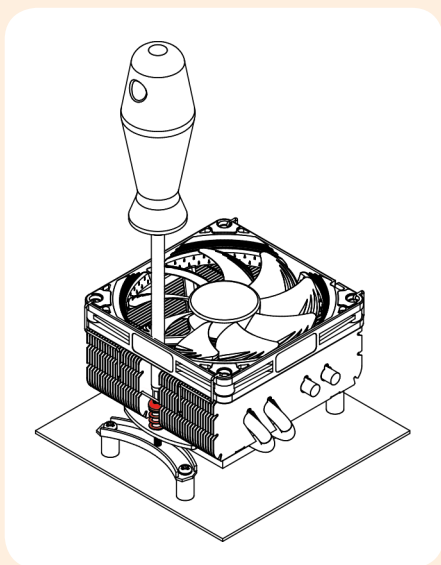


Step 4

## Fastening the heatsink to the CPU

**Caution:** Please first take off the protection cover at the bottom side of the heatsink.

Then put the heatsink onto the CPU and screw it to the screw threads of the mounting bars. Note that you can reach through the blades of the fan using the supplied screw driver. There is thus no need to take off the fan for installation.



**Caution:** Tighten the screws until they stop.

Connect the fan to the mainboard's CPU fan header. Depending on your CPU and the temperature inside the case, you may interconnect the supplied NA-RC7 Low-Noise Adaptors (L.N.A.) in order to further reduce the fans' operating noise.

**Caution:** When using the L.N.A., check the temperature of your CPU using appropriate software (e.g. the respective applications of your mainboard manufacturer), in order to evade automatic throttling of the CPU due to the increased temperature. If the cooling performance is insufficient, please increase case ventilation or remove the L.N.A.

## Warranty, Support and FAQs

Even with high-grade products and strict quality control, the possibility of defects cannot be eliminated entirely. Therefore, we aim at providing the highest possible level of reliability and convenience by offering a warranty period of 6 years and direct, fast and straightforward RMA service.

Should you encounter any problems with your NH-L9x65, please don't hesitate to contact our support team ([support@noctua.at](mailto:support@noctua.at)).

Please also consult the FAQ section on our website:  
[www.noctua.at/faqs](http://www.noctua.at/faqs).