

SCALE 1/2

Specification:

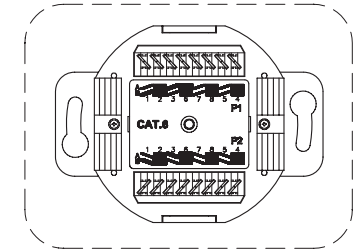
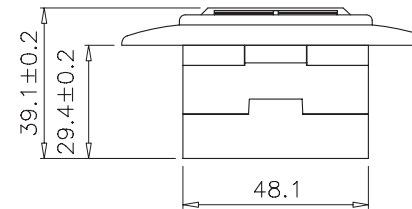
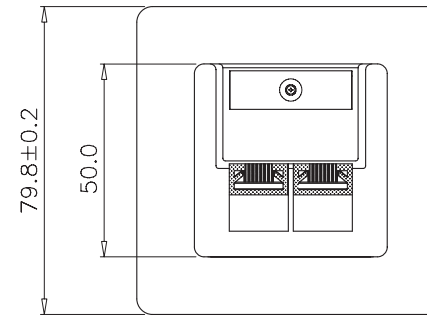
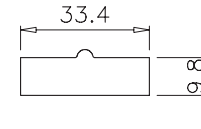
Material :

1. Flush Plate : ABS , UL 94-HB.
2. RJ45 Jack Housing : UL 94V-0.
3. RJ45 Jack Shield : Bronze with Nickel plated.
4. RJ45 Jack Contact material & finished :
 - 4-1. Phosphor Bronze with 30-40 micro-inch Nickel plated.
 - 4-2. Contact area : Min. 3 mm 50 micro-inch Gold plated.
5. IDC Housing : Polycarbonate, UL 94V-2.
6. IDC Terminal material & finished:
 - 6-1. Phosphor Bronze with 50 micro-inch Tin plated.
 - 6-2. Krone tool only.
 - 6-3. Use for 22-26 AWG stranded & solid wire.
7. Shield : Zinc Die-casting.
8. Name plate : PVC

Performance :

- a. The Sticker codes combine two wirings of T568A & T568B.
- b. Insertion Force : 900 gms for 8 contacts.
- c. Retention Strength : 7.7 kgs between Jack and Plug.
- d. Operation Temperature : -40°C to 80°C.
- e. Durability :
 - e-1. Jack : 750 cycles Plug-Jack mating and unmating test, insertion cycles at 20 cycles/minute max. Contact resistance test per 100 cycles.
 - e-2. IDC : Max. 200 punching times.
- f. The Cat.6 performance is in compliance with the ANSI/TIA/EIA 568 B.2-1 standard.

NAME PLATE



SCALE 1/2

| | | |
|--------|--------------------|--------------|
| 125761 | single retail pack | signal white |
| 125762 | 5pcs/box | signal white |
| 125763 | single retail pack | oyster white |
| 125765 | 5pcs/box | oyster white |

GENERAL TOLERANCE OF DIMENSIONS

| | |
|-------|--------|
| X.XXX | ±0.005 |
| X.XX | ±0.05 |
| X.X | ±0.1 |



**Cat.6 Wall Outlet with 2 Ports
and horizontal cable feed**