

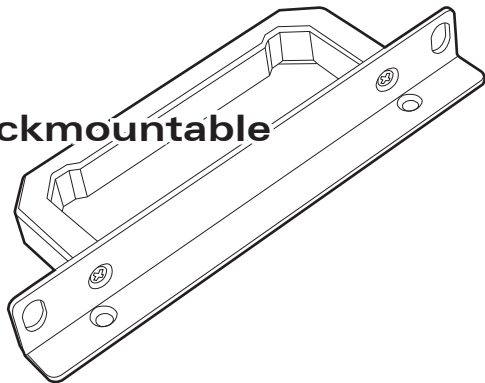


SILVERSTONE[®]
Designing Inspiration

RA02

Rackmount ear kit for rackmountable SilverStone cases

Durable all aluminum handle grip and steel mounting plate
Pre-drilled Mounting holes ready for quick installation
High quality textured treatment finish
Ergonomically designed handle



www.silverstonetek.com

Installation instruction

- 1.The RA02 is intended to be used in conjunction with SilverStone desktop product with rackmount mounting holes designed for the RA02. This product may not work with other cases.
- 2.Support: please refer to our website for the full list of supported cases.
- 3.The main function of the RA02 is to aid in securing your SilverStone desktop products to a rack storage, please DO NOT make RA02 as the sole supporting structure for the whole case, you should still use a rackmount tray or sliding rail to help with weight support

01



M4 screw x 4, one left support handle and one right support handle

DEUTSCH

Vier M4-Schrauben,
ein linker Stützgriff und
ein rechter Stützgriff

ESPAÑOL

Tornillo M4 x 4, un asa
izquierda y un asa
derecha

ITALIANO

4 viti M4, una impugnatura
di supporto sinistra ed una
impugnatura di supporto
destra

FRANÇAIS

Vis M4 x 4, une poignée de
support à gauche et une
poignée de support à droite

РУССКИЙ

4 винта M4, для левой
опорной ручки и для
правой опорной ручки

한 국 어

M4 나사 x 4, 왼쪽
지지 손잡이 1개 및
오른쪽 지지 손잡이
1개

日本語

M4ネジx 4、
左サポートハンドル1個、
右サポートハンドル1個

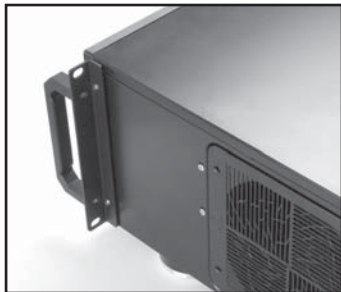
繁體中文

M4四顆螺絲與左右兩邊
的把手各一個

簡體中文

M4四顆螺絲與左右兩邊
的把手各一個

02



Screw the handles onto the desktop

DEUTSCH

Griffe an den Desktop
schrauben

ESPAÑOL

Atornille las asa al
producto de sobremesa

ITALIANO

Fissare le impugnature
al desktop

FRANÇAIS

Vissez les poignées sur le
bureau

РУССКИЙ

Привинтит ручки к корпусу

한 국 어

나사를 사용하여
손잡이를 데스크톱에
고정시키십시오.

日 本 語

各ハンドルをデスクトップ
ケースにネジで固定します。

繁體中文

將把手鎖上機殼

簡体中文

將把手鎖上机壳