

GERMANY'S
#1
IN POWER SUPPLIES
SINCE 2006*



POWER ZONE

POWERFUL PERFORMANCE, OUTSTANDING ENDURANCE

1000W • 850W • 650W • 550W

IDEAL FOR

High performance PCs
Gaming and overclocking systems
3D graphics, photo and video editing
SLI- and Crossfire systems
Big cases due to long cables

HIGHLIGHTS

Top performance and stability
Powerful operation even at 50° C
Full cable management
Advanced cooling features
135mm SilentWings® fan

Powerful Performance, Outstanding Features, Great Value

The Power Zone series provides the winning combination of superior performance, rock-solid stability, and advanced cooling. Whether you are assembling a high power PC or multi-GPU gaming system, your build will benefit from the Power Zone features.

Highlights »

- Massive 12V rail design is ideal for overclocking
- Full cable management supports maximum build flexibility
- COOL*OFF feature run fans for three minutes after system shutdown
- Connect up to three case fans for optimized system cooling
- Designed for powerful operation even at 50° C
- 135mm SilentWings® fan with innovative 6-pole motor enables quiet operation
- 80PLUS Bronze efficiency (up to 90%)
- Up to six PCI express connectors (NVIDIA SLI, AMD CrossFireX)
- Compatible with Intel C6/C7
- Five-year warranty
- German product conception, design and quality control

Power Zone »

Power Zone PSUs deliver a best-in-class blend of performance and quality for a reasonable price.

+ COOL*OFF

+ SILENT WINGS

+ FULL CABLE MANAGEMENT



POWERZONE

POWERFUL PERFORMANCE, OUTSTANDING ENDURANCE

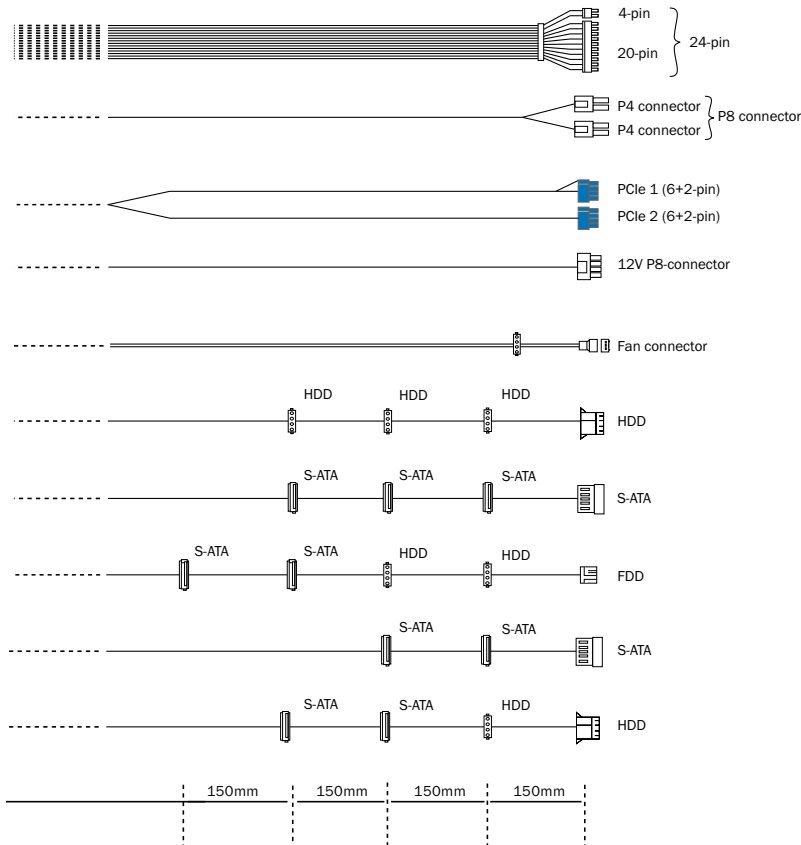
Technical Data »					
IN GENERAL	Continuous power (W)	1000	850	750	650
	Model	BN213	BN212	BN211	BN210
	EAN Code	4260052183120	4260052183113	4260052183106	4260052183090
	Voltage / Frequency	100–240Vac 50–60Hz	100–240Vac 50–60Hz	100–240Vac 50–60Hz	100–240Vac 50–60Hz
	ATX 12V 2.4 / EPS 12V 2.92	✓ / ✓	✓ / ✓	✓ / -	✓ / -
	Dimensions (LxWxH)	86 x 150 x 175	86 x 150 x 175	86 x 150 x 175	86 x 150 x 175
	SilentWings® fan (mm)	135	135	135	135
	Noise level (dB(A)) at 20 / 50 / 100% load	15.7 / 20.1 / 37.1	15.5 / 17.5 / 35.8	13.6 / 17.4 / 34.9	13.5 / 16.5 / 33.5
	Efficiency (%) at 230V	up to 89	up to 89	up to 90	up to 90
	12V Rails	1	1	1	1
	Active PFC	✓	✓	✓	✓
	OCP, OVP, UVP, SCP, OPP, OTP	✓	✓	✓	✓
	Certifications	80PLUS Bronze, NVIDIA, AMD	80PLUS Bronze, NVIDIA, AMD	80PLUS Bronze, NVIDIA, AMD	80PLUS Bronze, NVIDIA, AMD
	Energy Star 5.2 compatible	✓	✓	✓	✓
	ErP 2013 ready	✓	✓	✓	✓
Lifetime of fan at 25°C (h)	100.000	100.000	100.000	100.000	
CABLES	No. of cables	11 + 3 fan	9 + 3 fan	7 + 3 fan	7 + 3 fan
	Maximum cable length (cm)	115	115	115	115
	Length of ATX-connection cable (cm)	60	60	60	60
	Sleeved cables	✓	✓	✓	✓
CONNECTORS	ATX-Mainboard (20+4-pin)	1	1	1	1
	PCI-Express (6+2-pin)	6	4	4	4
	P8-/P4-connector	1 / 1	1 / 1	1 / -	1 / -
	S-ATA (5-pin)	10	9	8	8
	IDE (4-pin)	6	6	4	4
	FDD (Floppy)	1	1	1	1

Output Data »						
POWER ZONE 650W	AC Input	100–240Vac 50–60Hz 8–4A				
	DC Output	3.3V	5V	12V	-12V	5VSB
	Max. Current	25A	25A	54A	0.3A	3A
	Max. Combined Power	140W		648W	3.6W	15W
		650W				
POWER ZONE 850W	AC Input	100–240Vac 50–60Hz 10–5A				
	DC Output	3.3V	5V	12V	-12V	5VSB
	Max. Current	25A	25A	70A	0.3A	3A
	Max. Combined Power	160W		840W	3.6W	15W
		850W				
POWER ZONE 750W	AC Input	100–240Vac 50–60Hz 9–4A				
	DC Output	3.3V	5V	12V	-12V	5VSB
	Max. Current	25A	25A	62A	0.3A	3A
	Max. Combined Power	150W		744W	3.6W	15W
		750W				
POWER ZONE 1000W	AC Input	100–240Vac 50–60Hz 12–6A				
	DC Output	3.3V	5V	12V	-12V	5VSB
	Max. Current	25A	25A	83A	0.3A	3A
	Max. Combined Power	170W		996W	3.6W	15W
		1000W				

POWERZONE

POWERFUL PERFORMANCE, OUTSTANDING ENDURANCE

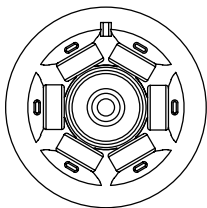
Full Cable Management »



650W	750W	850W	1000W
600mm	600mm	600mm	600mm
700mm	700mm	700mm	700mm
550mm 2x	550mm 2x	550mm 2x	550mm 3x
-	-	700mm	700mm
600mm* 3x	600mm* 3x	600mm* 3x	600mm* 3x
-	-	550mm*	550mm*
550mm*	550mm*	550mm*	550mm* 2x
550mm*	550mm*	550mm*	550mm*
-	-	550mm*	-
550mm*	550mm*	-	-

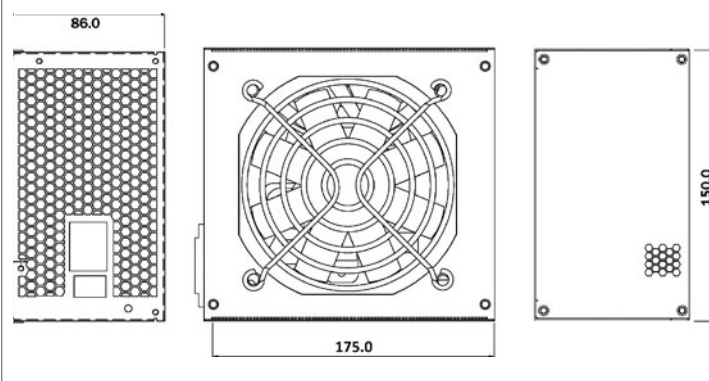
*cable length to first connector

6-Pole Fan Motor »

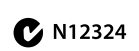


- 6 poles contribute to:
- smoother transition between magnetic poles
 - less vibration for quiet operation
 - reduced power consumption
 - low start-up voltage

Dimensions »



Certifications »



Contact »

Service Hotline: +49 40 7367 686 44 (Mo-Fr. 9:00-17:30)

Mail: service@bequiet.com

+ SILENT WINGS®



Virtually inaudible cooling for your system »

The fan quality is one of the main factors contributing to the noise level of your PC. As the German specialist for outstandingly quiet computer components we have more than 10 years of experience in the field of noise reduction. That knowledge allows us to produce the quietest fans on the market.

Look for the +SilentWings Logo. It indicates our products which include our state-of-the-art fan technology and enables the perfect balance between superior cooling and serenity.