

StoreJet[®] 25 H3

SATA HDD Enclosure

Description

This device is designed to expedite exchanging huge amounts of data between Transcend StoreJet[®] and any desktop or notebook computer.

System Requirements

Desktop or notebook computer with a working USB port.

One of following Operating Systems:

- Windows[®] XP
- Windows[®] Vista
- Windows[®] 7
- Linux[®] Kernel 2.6.31 or later
- Mac[®] OS X 10.4 or later (only USB 2.0 currently supported)

Features

- SuperSpeed USB 3.0 compliant and backwards compatible with USB 2.0
- Durable anti-shock silicone outer shell
- Advanced internal hard drive suspension system
- Connection bandwidth up to 5Gbits per second
- Extra-large storage capacity
- Sleek ultra portable design
- Easy Plug and Play operation – no drivers required
- USB powered – no external adapter necessary
- Power saving sleep mode
- One Touch Auto-Backup button
- Includes **Transcend Elite™** backup and security software
- LED power / data transfer activity indicator

Placement



A Micro USB 3.0 Port

B One Touch Auto-backup Button

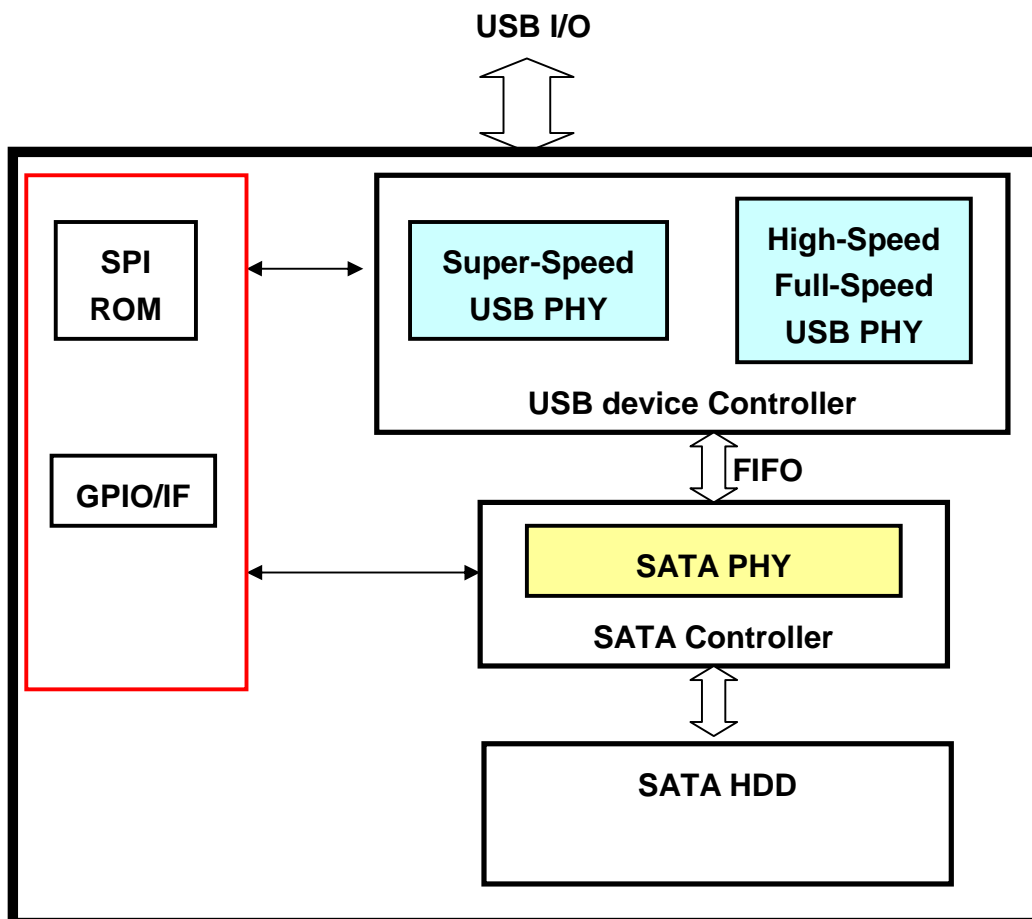
Dimensions

Side	Millimeters	Inches
L	130.8 ± 1.00	5.15 ± 0.04
W	80.8 ± 1.00	3.18 ± 0.04
H	21.7 ± 1.00	0.85 ± 0.04

Ordering Information

Transcend P/N	Capacity
TS1TSJ25H3P	1TB

Block Diagram



StoreJet[®] 25 H3

SATA HDD Enclosure

Pinouts

Pin No.	Pin Name
1	VBUS
2	D-
3	D+
4	ID
5	GND
6	MicB_SSTX-
7	MicB_SSTX+
8	GND_DRAIN
9	MicB+SSRX-
10	MicB+SSRX+

Pin Identification

Symbol	Function
VBUS	Power
D-	USB 2.0 differential pair
D+	
ID	OTG identification
GND	Ground for power return
MicB_SSTX-	SuperSpeed transmitter differential pair
MicB_SSTX+	
GND_DRAIN	Ground for SuperSpeed signal return
MicB+SSRX-	SuperSpeed receiver differential pair
MicB+SSRX+	

Specifications

Environment		
Storage Media	2.5 inch SATA Hard Disk	
Temperature	Operation	5 °C to 55 °C
	Storage	-20 °C to 60 °C
Power Supply	USB DC 5 Volt	
Transfer Speed	USB 3.0	Up to 5Gb/s
	USB 2.0	Up to 480Mb/s
Power Consumption	5W (Average)	
Size (L x W x H)	130.8mm x 80.8mm x 21.7mm	
Weight	With Hard Drive	256g
Certificates	CE, FCC, BSMI	

Above technical information is based on industry standard data and tested to be reliable. However, Transcend makes no warranty, either expressed or implied, as to its accuracy and assumes no liability in connection with the use of this product. Transcend reserves the right to make changes in specifications at any time without prior notice.