



www.arctic.ac

F PWM PST F PWM PST CO

Welcome Guide



support.arctic.ac/fpwpmpst

Dear Customer,

Thank you for choosing a fan of the ARCTIC F-series.

YOU are the centre of ARCTIC. We work hard to approach all angles from a user's perspective and are fully dedicated to create innovative, user-friendly and affordable devices. YOUR satisfaction is our ultimate goal.

In order to assist you even better, we launched a support platform for Smartphones (support.arctic.ac).

I hope you enjoy the fan and we at ARCTIC look forward to further enriching your life with our products. If you would like to share how you use ARCTIC's products please do so at <https://www.facebook.com/ARCTIC.en>

ARCTIC is a fully carbon neutral company and your support helps us to compensate every kilogram of CO₂ we produce. Thank You.

Sincerely,

A handwritten signature in black ink, appearing to read "M. Huber".

Magnus Huber
ARCTIC CEO

Plugs / Sockets

F8 / F9 / F12 / F14 PWM PST
F8 / F9 / F12 / PWM PST CO

A 4-pin PWM plug



B 4-pin PWM socket



Mainboard

C 4-pin PWM socket



CPU Cooler / Fan
(PWM Controlled)

D 4-pin PWM plug



How to Plug Your Fan

1



CPU Cooler / Fan
(PWM Controlled)

D 4-pin PWM plug

Mainboard

C 4-pin PWM socket

2



Case Fan

A 4-pin PWM plug

Mainboard

C 4-pin PWM socket

3

CPU Cooler / Fan
(PWM Controlled)

D 4-pin PWM plug

Case Fan

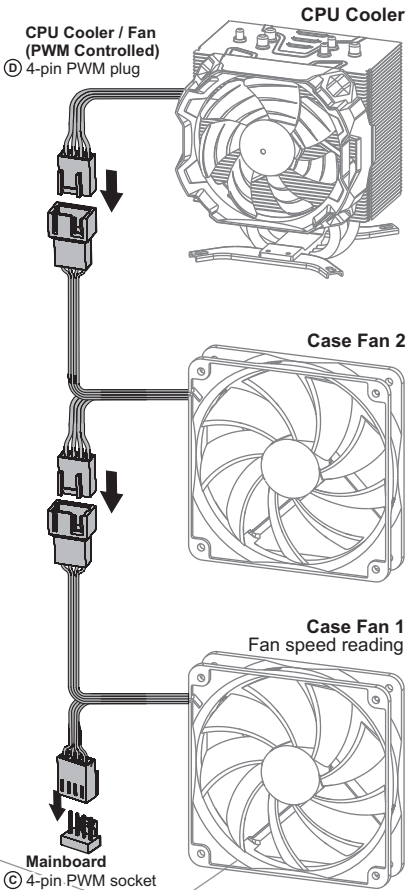
B 4-pin PWM socket

Mainboard
C 4-pin PWM socket

Case Fan

A 4-pin PWM plug

If Connecting with Multiple Fans



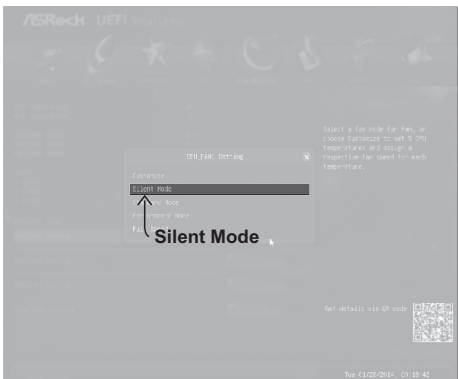
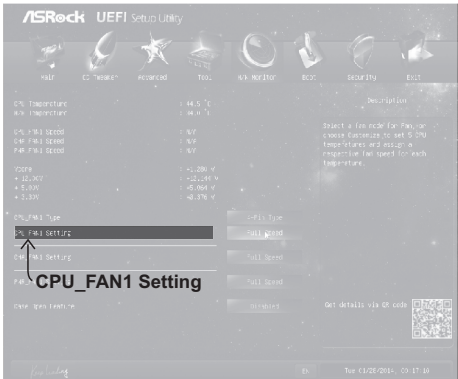
*We recommend not to chain more than 5 fans as some motherboards may only deliver 1.0A per fan header. Please consult your motherboard specification.

Activate PWM Control

In the mainboard BIOS, you can activate and configure the PWM fan speed. Please note the examples below are for reference only. Refer to your mainboard manual regarding the settings in your BIOS.

ASRockFM2A85X-ITX (UEFI Setup Utility)

H/W Monitor > CPU_FAN1 Setting > Silent Mode



Gigabyte MA78GM-S2H (CMOS Setup Utility)

PC Health Status > CPU Smart FAN Control [Enable]
CPU Smart FAN Mode [Auto]

ASRock H55M/USB 3 P1.40 (BIOS Setup Utility)

H/W Monitor > CPU Fan Setting >
CPU Fan Setting [Automatic mode]

Notes:

- Target Fan Speed [Level 1 - 9]
- At Level 1, the case fan may NOT spin at start up, it will spin at a higher CPU temperature.

JW Technology JW-H55M-PRO V 1.01 (BIOS Setup Utility)

Power > PC Health Status >
CPU Fan Mode [Manual] Target Fan Speed [0 - 255]

Notes:

- Fan will spin at minimum speed at 40-60.
- Approximate PWM Value would be Target Fan Speed /2.5
e.g. Target Fan Speed 40 ~ PWM Value 16%

ASUS P5G41T-M LX (BIOS Setup Utility)

Power > CPU Q-Fan Control [Enable]
CPU Fan Profile [Silent / Optimal /Performance mode]

Notes:

- The case fan spins slowly at idle for all three mode.

It is also possible to adjust the fan speed in manual mode to customize according to your own preference.

⚠ With PWM values set below 15%, the fan(s) may not start right away and thus only get active at higher temperature.

Warranty

This ARCTIC product includes a six-year limited warranty. For further information, please visit warranty.arctic.ac



EC Declaration of Conformity

This product is compliant with all applicable CE Directives for this type of product. A detailed Declaration of Conformity is available on ARCTIC website : <http://www.arctic.ac>



Directive 2002/96/EC about Waste of Electrical and Electronic Equipment (WEEE)

Waste of Electrical and Electronic Equipment must not be disposed of with domestic waste.

If the device cannot be used anymore, the user is legally obliged to separate it from domestic waste and hand it over to a designated collection point of his community/district.

Thereby it is guaranteed that the Waste of Electrical and Electronic Equipment is recycled properly and negative impacts for the environment are avoided.

Therefore, electronic devices are marked by this sign.

ARCTIC and the ARCTIC logo are registered trademarks of Boost Up International Limited.

© 2015 ARCTIC (HK) Ltd. All rights reserved.

No part of this manual including the products described in it, may be reproduced, transmitted, stored in a retrieval system, or translated into any language in any form or by any means, except documentation kept by the purchaser for backup purpose, without the express written permission of ARCTIC (HK) Ltd. In no event shall ARCTIC, its directors or employees be liable for any indirect damages, incidental or consequential damages arising from any defect or error in this manual or product.