

Special Features & Specification

AR05



- Designed for low profile system at only 37mm tall
- Two Ø6mm heat-pipes and aluminum fins for excellent heat conducting efficiency
- Heat-pipe direct contact (HDC) technology
- Includes compact 92mm PWM fan for excellent cooling and low noise
- For use with CPUs up to 65W or more*
- Intel Socket LGA1155/1156/1150 and AMD Socket AM2/AM3/FM1/FM2 compatible

Material	Copper heat pipes with aluminum fins
Heat Pipe Type	Ø6mm heat-pipe x 2
Application	Intel Socket LGA1155/1156/1150 / AMD Socket AM2/AM3/FM1/FM2
Cooling System	92mm x 92mm x 15mm fan
Dimension	104mm (W) x 92mm (D) x 36.7mm (H) (with fan)

*To use on CPUs with TDP greater than 65W, a case with efficient airflow is required.

AR06



- Designed for low profile system at 58mm tall
- Four Ø6mm heat-pipes and aluminum fins for excellent heat conducting efficiency
- Heat-pipe direct contact (HDC) technology
- Includes compact 92mm PWM fan for excellent cooling and low noise
- For use with CPUs up to 95W or more*
- Intel Socket LGA1155/1156/1150 and AMD Socket AM2/AM3/FM1/FM2 compatible

Material	Copper heat pipes with aluminum fins
Heat Pipe Type	Ø6mm heat-pipe x 4
Application	Intel Socket LGA1155/1156/1150 / AMD Socket AM2/AM3/FM1/FM2
Cooling System	92mm x 92mm x 15mm fan
Dimension	105mm (W) x 92mm (D) x 58mm (H) (with fan)

*To use on CPUs with TDP greater than 95W, a case with efficient airflow is required.



SILVERSTONE[®]
Designing Inspiration

ARGON SERIES

Advanced low-profile heatsink
with Heat-pipe direct contact (HDC) technology

AR05 / AR06

Warranty Information

This product has a limited 1 year warranty in North America and Australia.
For information on warranty periods in other regions, please contact your reseller or SilverStone authorized distributor.

Warranty terms & conditions

- Product component defects or damages resulted from defective production is covered under warranty.
Defects or damages with the following conditions will be fixed or replaced under SilverStone Technology's jurisdiction.
 - Usage in accordance with instructions provided in this manual, with no misuse, overuse, or other inappropriate actions.
 - Damage not caused by natural disaster (thunder, fire, earthquake, flood, salt, wind, insect, animals, etc...)
 - Product is not disassembled, modified, or fixed. Components not disassembled or replaced.
 - Warranty mark/stickers are not removed or broken.Loss or damages resulted from conditions other than ones listed above are not covered under warranty.
- Under warranty, SilverStone Technology's maximum liability is limited to the current market value for the product (depreciated value, excluding shipping, handling, and other fees). SilverStone Technology is not responsible for other damages or loss associated with the use of product.
- Under warranty, SilverStone Technology is obligated to repair or replace its defective products. Under no circumstances will SilverStone Technology be liable for damages in connection with the sale, purchase, or use including but not limited to loss of data, loss of business, loss of profits, loss of use of the product or incidental or consequential damage whether or not foreseeable and whether or not based on breach of warranty, contract or negligence, even if SilverStone Technology has been advised of the possibility of such damages.
- Warranty covers only the original purchaser through authorized SilverStone distributors and resellers and is not transferable to a second hand purchaser.
- You must provide sales receipt or invoice with clear indication of purchase date to determine warranty eligibility.
- If a problem develops during the warranty period, please contact your retailer/reseller/SilverStone authorized distributors or SilverStone <http://www.silverstonetek.com>.
Please note that: (i) You must provide proof of original purchase of the product by a dated itemized receipt; (ii) You shall bear the cost of shipping (or otherwise transporting) the product to SilverStone authorized distributors. SilverStone authorized distributors will bear the cost of shipping (or otherwise transporting) the product back to you after completing the warranty service; (iii) Before you send the product, you must be issued a Return Merchandise Authorization ("RMA") number from SilverStone. Updated warranty information will be posted on SilverStone's official website. Please visit <http://www.silverstonetek.com> for the latest updates.

Additional info & contacts

For North America (usasupport@silverstonetek.com)
SilverStone Technology in North America may repair or replace defective product with refurbished product that is not new but has been functionally tested. Replacement product will be warranted for remainder of the warranty period or thirty days, whichever is longer. All products should be sent back to the place of purchase if it is within 30 days of purchase, after 30 days, customers need to initiate RMA procedure with SilverStone Technology in USA by first downloading the "USA RMA form for end-users" form from the below link and follow its instructions.
<http://silverstonetek.com/contactus.php>

For Australia only (support@silverstonetek.com)
Our goods come with guarantees that cannot be excluded under the Australian Consumer Law. You are entitled to a replacement or refund for a major failure and for compensation for any other reasonably foreseeable loss or damage. You are also entitled to have the goods repaired or replaced if the goods fail to be of acceptable quality and the failure does not amount to a major failure. Please refer to above "Warranty terms & conditions" for further warranty details.

SilverStone Technology Co., Ltd. 12F No. 168 Jiankang Rd., Zhonghe Dist., New Taipei City 235 Taiwan R.O.C. + 886-2-8228-1238 (standard international call charges apply)

For Europe (support.eu@silverstonetek.de)
For all other regions (support@silverstonetek.com)

SilverStone Technology Co., Ltd.

www.silverstonetek.com

All trademarks are registered to their respective owners.
© 2014 SilverStonetek Co., Ltd. All Rights Reserved.

NO.G11221560

ENGLISH

Install hex screws and corresponding nuts onto the mounting brackets

DEUTSCH

Sechskantschrauben und entsprechende Muttern an den Montagehalterungen installieren

FRANÇAIS

Installez les vis hexagonales et les écrous correspondants sur les supports de montage

ESPAÑOL

Instale tornillos hexagonales y las tuercas correspondientes en los brackets de montaje

ITALIANO

Installare le viti esagonali ed i relativi dadi sulle staffe di montaggio

РУССКИЙ

Закрепите кронштейны винтами с шестигранной головкой и соответствующими гайками

繁體中文

將扣具鎖上六角螺絲與螺帽，螺絲孔位需對應主機板類型

簡體中文

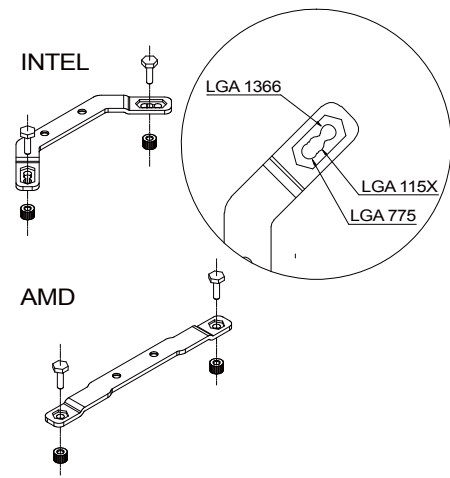
將扣具鎖上六角螺絲與螺帽，螺絲孔位需對應主板類型

日本語

六角ネジおよび対応するナットをマウントブラケットに取り付けます。

한국어

장착 브래킷 위에 육각 나사와 해당 너트를 설치합니다.



ENGLISH

Remove protective film from the cooler base

DEUTSCH

Schutzfolie von der Kühlerbasis entfernen

FRANÇAIS

Retirez le film protecteur de la base du refroidisseur

ESPAÑOL

Retire la película protectora de la base de refrigeración

ITALIANO

Rimuovere la pellicola protettiva dalla base del dissipatore di calore

РУССКИЙ

Снимите защитную пленку с основания тепловода

繁體中文

將散熱器底部保護貼撕離

簡體中文

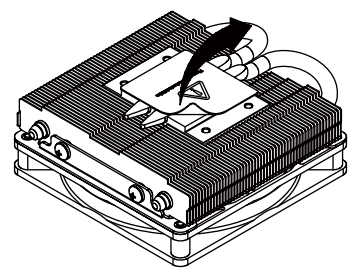
將散熱器底部保護貼撕離

日本語

クーラーベースの保護フィルムを剥がします。

한국어

쿨러 베이스에서 보호 필름을 제거합니다.



ENGLISH

Secure the assembled brackets from step 1 onto the cooler base with screws

DEUTSCH

Montierte Halterungen aus Schritt 1 mit Schrauben an der Kühlerbasis befestigen

FRANÇAIS

Fixez les supports assemblés lors de l'étape 1 sur la base du refroidisseur avec des vis

ESPAÑOL

Asegure los brackets montados del paso 1 en la base de refrigeración usando los tornillos

ITALIANO

Fissare con viti le staffe assemblate al punto 1 sulla base del dissipatore di calore

РУССКИЙ

Закрепите винтами собранные на шаге 1 кронштейны в основании тепловода

繁體中文

將步驟1組好的扣具用螺絲鎖在散熱器底部

簡體中文

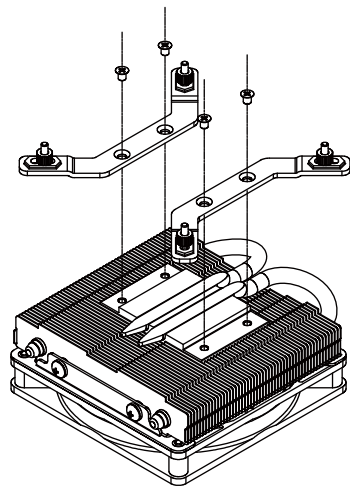
將步驟1組好的扣具用螺絲鎖在散熱器底部

日本語

ステップ1で組まれたブラケットをクーラーベースにネジで固定します。

한국어

나사를 사용하여 단계 1에서 조립된 브래킷을 쿨러 베이스에 고정합니다.



ENGLISH

Apply included thermal grease onto the cooler base evenly

DEUTSCH

Mitgeliefertes Wärmeleitfett gleichmäßig auf die Kühlerbasis auftragen

FRANÇAIS

Appliquez la pâte thermique fournie uniformément sur la base du refroidisseur

ESPAÑOL

Aplique la pasta térmica de forma uniforme en la base de refrigeración

ITALIANO

Applicare in modo uniforme il grasso termico incluso sulla base del dissipatore di calore

РУССКИЙ

Ровным слоем нанесите термопасту на основание тепловода

繁體中文

將導熱膏均勻塗抹在散熱器底部

簡體中文

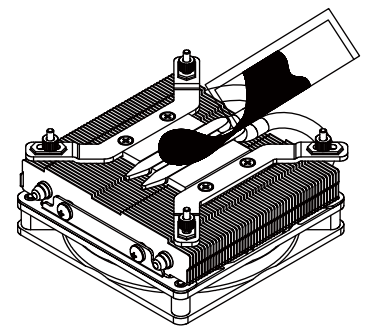
將導熱膏均勻塗抹在散熱器底部

日本語

クーラーベースにサーマルグリスを均等に塗ります。

한국어

제공된 서열 그리스를 쿨러 베이스에 고르게 바릅니다.



ENGLISH

Secure cooler onto the motherboard with spacer between the backside of motherboard and hex nuts

DEUTSCH

Kühler mit Abstandhalter zwischen Rückseite des Motherboards und Sechskantmuttern am Motherboard befestigen

FRANÇAIS

Fixez le refroidisseur sur la carte mère avec un espaceur entre l'arrière de la carte mère et les écrous hexagonaux

ESPAÑOL

Asegure el refrigerador en la placa base con un espaciador entre la parte trasera de la placa base y las tuercas hexagonales

ITALIANO

Fissare il dissipatore di calore sulla scheda madre con un distanziatore tra la parte posteriore della scheda madre e i dadi esagonali

РУССКИЙ

Закрепите тепловод на системной плате с использованием шайбы между задней стороной системной платы и шестигранными гайками

繁體中文

疊上主機板，用六角螺帽與墊片鎖緊

簡體中文

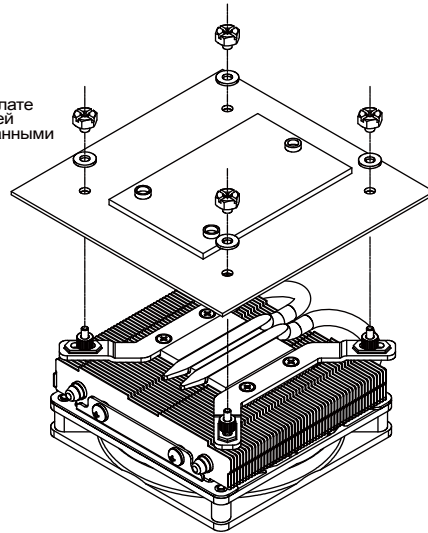
迭上主板，用六角螺帽與墊片鎖緊

日本語

マザーボード裏側とナットの間にスペーサーを挟んで、クーラーをマザーボードに固定します。

한국어

메인보드의 뒷면과 육각 너트 사이에 스페이서를 끼운 채 쿨러를 메인보드에 고정합니다.



ENGLISH

Installation complete

DEUTSCH

Installation abgeschlossen

FRANÇAIS

Installation terminée

ESPAÑOL

Instalación completa

ITALIANO

L'installazione è completata

РУССКИЙ

Установка завершена

繁體中文

安裝完成

簡體中文

安裝完成

日本語

インストール完了

한국어

설치가 완료되었습니다.

