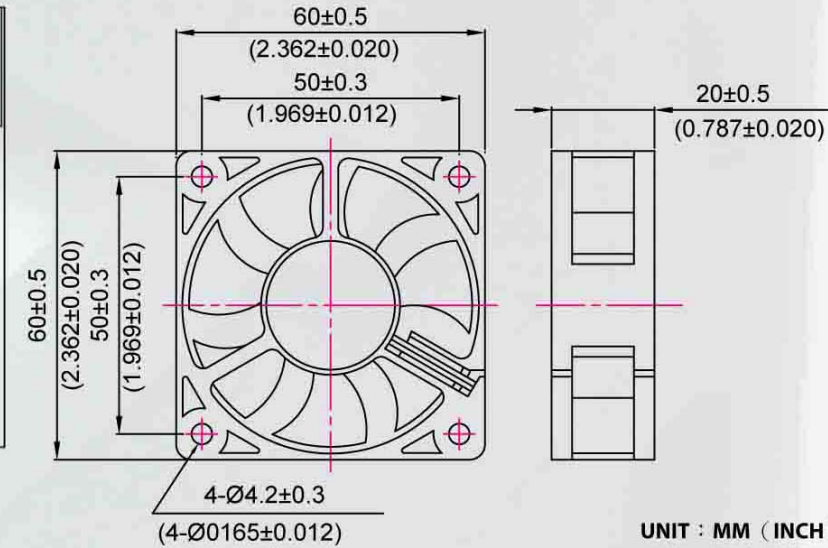
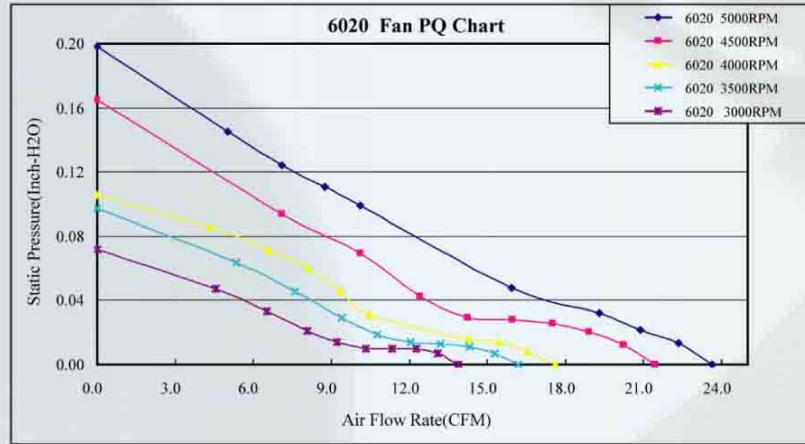


P&Q Curve

Dimensions Drawing



Specifications

- Material : impeller & Frame : Plastic(UL 94V-O)
- Lead Wires :
 UL 1007 AWG#26 Or Equivalent
 Red Wire Positive(+), Black Wire Negative(-), Yellow Wire Or Blue Wire Signal(FG)
- Function type is optional
- The max air flow and the speed are measured in free air; max air pressure is measured at zero air flow
- Noise is measured in anechoic chamber in free air, one meter from intake side
- All readings are typical values at rated voltage
- Specifications are subject to change with notice
- Additional special function may be added according the requirement of customer

Model	Rated Voltage (VDC)	Rated Current (AMP)	Power Consumption (WATTS)	Speed Reference (RPM)	Air Flow (CFM)	Static Pressure (Inch-H ₂ O)	Noise (dBA)
TFD-6020M12X	12	0.17	2.04	4000	17.6	0.11	<26
TFD-6020L12X	12	0.14	1.68	3500	16.19	0.1	<23
TFD-6020HH24X	24	0.18	4.32	5000	23.64	0.2	<34
TFD-6020H24X	24	0.15	3.6	4500	21.46	0.17	<30
TFD-6020M24X	24	0.12	2.88	4000	17.6	0.11	<26
TFD-6020L24X	24	0.09	2.16	3500	16.19	0.1	<23
TFD-6020LL24X	24	0.07	1.68	3000	13.88	0.07	<19.6