



Cat.6A Desktop/Wall Patch Panel

Technical Features

Category 6A 10G Class EA 500 MHz

ISO/IEC 11801 and TIA/EIA 568C.2

8 or 12 shielded RJ45 jacks

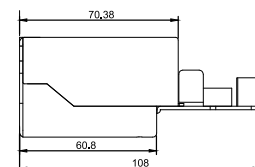
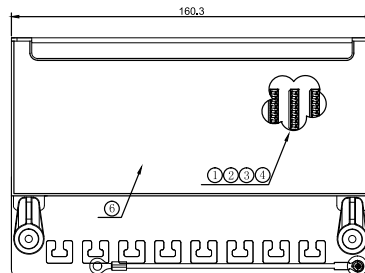
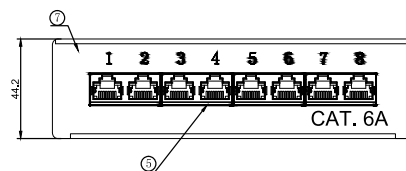
Steel housing

Part no.	Ports	Color	EAN Code
NP0018	8Ports	RAL7035 Light Grey	4052792027747
NP0018B	8Ports	RAL9005 Black	4052792038897
NP0019	12Ports	RAL7035 Light Grey	4052792027754
NP0019B	12Ports	RAL9005 Black	4052792041675



Technical Drawings

NP0018/NP0018B



www.logilink.de



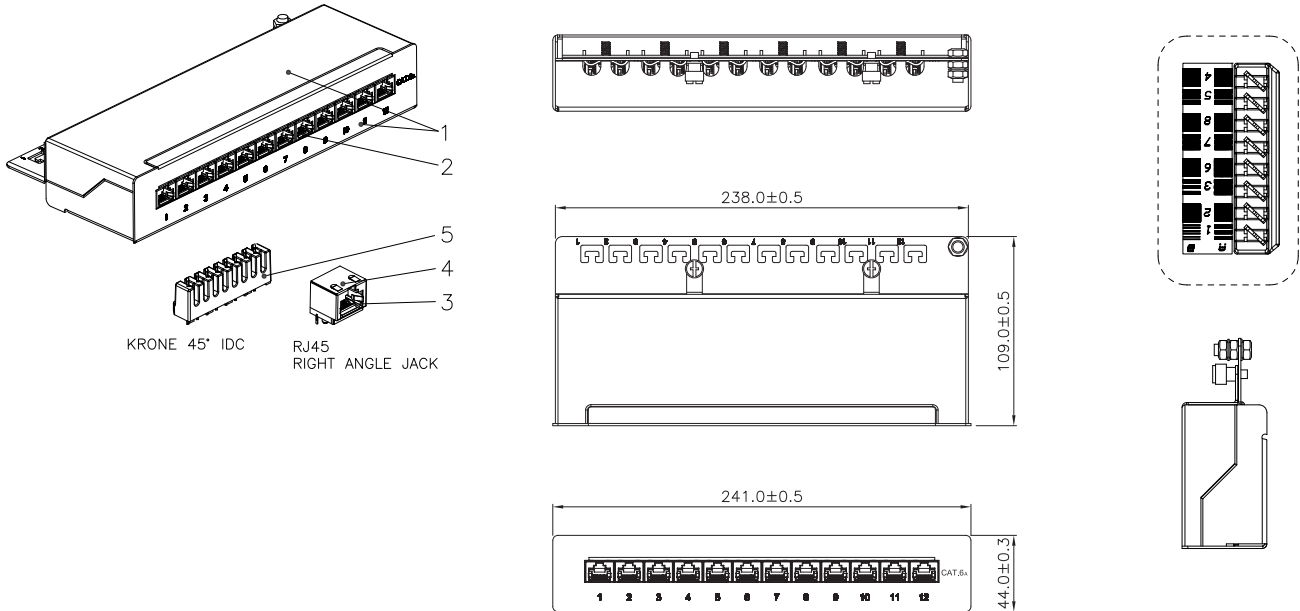
RoHS
compliant



Made in China

* The specifications and pictures are subject to change without notice.
*All trade names referenced are the registered trademark of their respective owners.

NP0019/NP0019B



Package Contents

Cat.6A Desktop/Wall Patch Panel x 1

Packaging Informations (NP0018/NP0018B)

Packing Dimension	220 x 135 x 55mm
Packing Weight	0.66kg
Carton Dimension	450 x 290 x 290mm
Carton Q'ty	20pcs
Carton Weight	13.9kg

Packaging Informations (NP0019/NP0019B)

Packing Dimension	275 x 137 x 55mm
Packing Weight	0.88kg
Carton Dimension	570 x 290 x 290mm
Carton Q'ty	20pcs
Carton Weight	18.5kg

www.logilink.de



RoHS
compliant



Made in China

* The specifications and pictures are subject to change without notice.
*All trade names referenced are the registered trademark of their respective owners.