

# LogiLink®



## HDMI to DVI Cable

HDMI-A male to DVI-D male

Art. No.: CHB3101  
CHB3102  
CHB3103  
CHB3105  
CHB3110

The HDMI to DVI cable allows the transmission of high-quality video signals. Connect HDMI devices with DVI peripherals like Plasma and LCD TVs, projectors and PC monitors and reversed the connection of DVI devices to HDMI peripherals.

### Features:

- » HDMI to DVI Cable, length from 1M to 10M
- » DVI attachment with knurled thumbscrews
- » Molded plastic hood
- » Gold-plated contacts
- » Supports Full HD
- » Work on both directions (HDMI to DVI or DVI to HDMI)

### Specification:

Connector 1	HDMI Typ A (19-pin) male
Connector 2	DVI-D (18+1) male
Resolution	Up to 1920 x 1200 pixels

Part-No.	Length	EAN Code
CHB3101	1m	4052792005592
CHB3102	2m	4052792005608
CHB3103	3m	4052792005615
CHB3105	5m	4052792005622
CHB3110	10m	4052792005639



RoHS  
compliant

\* The specifications and pictures are subject to change without notice.  
\* All trade names referenced are the registered namework of their respective owners.

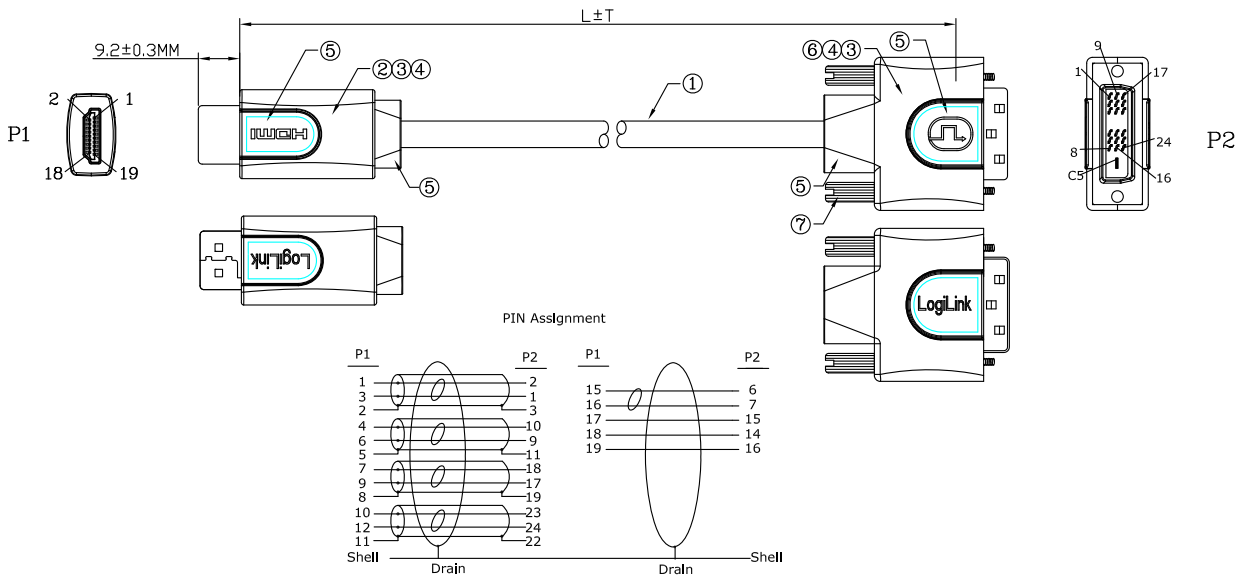
Made in China

Best Connectivity

# LogiLink®

## HDMI to DVI Cable HDMI-A male to DVI-D male

Art. No.: CHB3101  
CHB3102  
CHB3103  
CHB3105  
CHB3110



### Package Contents:

- » 1 x HDMI to DVI Cable

### Package Informations:

- » Packing Dimension: 260 x 173 x 60mm
- » Packing Weight: kg
- » Carton Dimension: 366 x 320 x 285mm
- » Carton Q'ty: 10pcs
- » Carton Weight: 3.1kg (CHB3101)/3.7kg (CHB3102)/4.4kg (CHB3103)/5.4kg (CHB3105)  
8.2kg (CHB3110)



RoHS  
compliant

\* The specifications and pictures are subject to change without notice.  
\*All trade names referenced are the registered namework of their respective owners.

Made in China

Best Connectivity