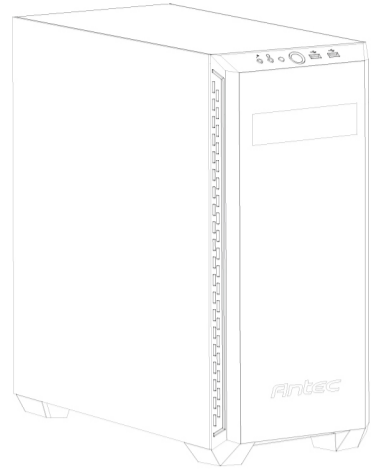
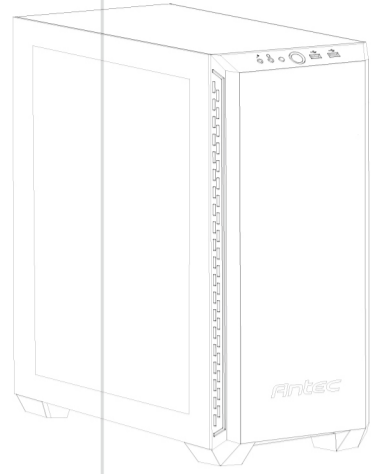


P7 ELITE PERFORMANCE

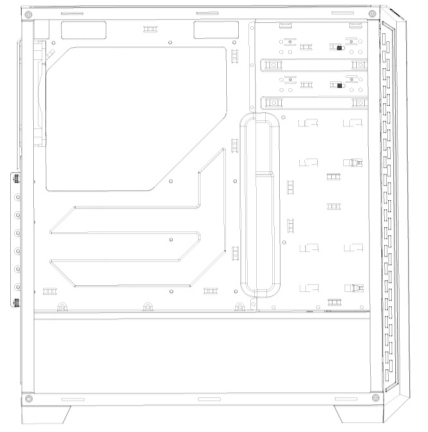
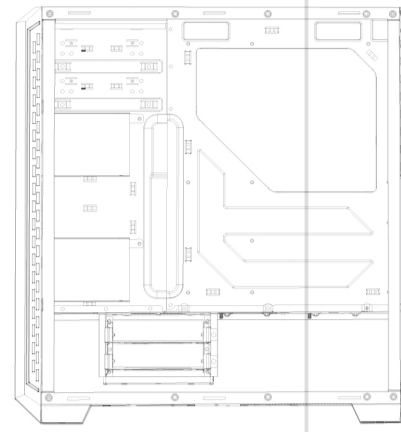
INFORMATION GUIDE



SILENT

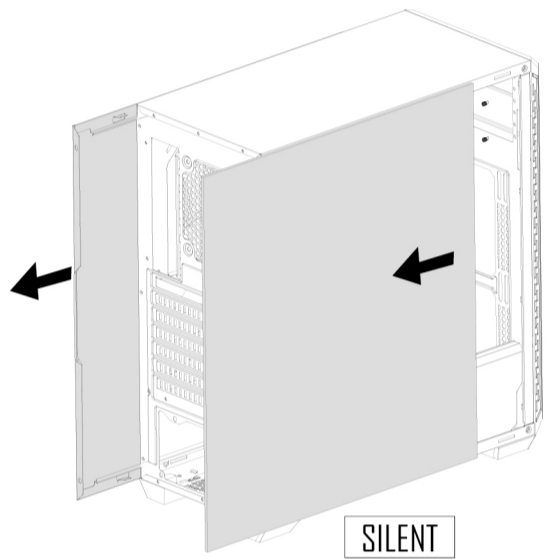


WINDOW



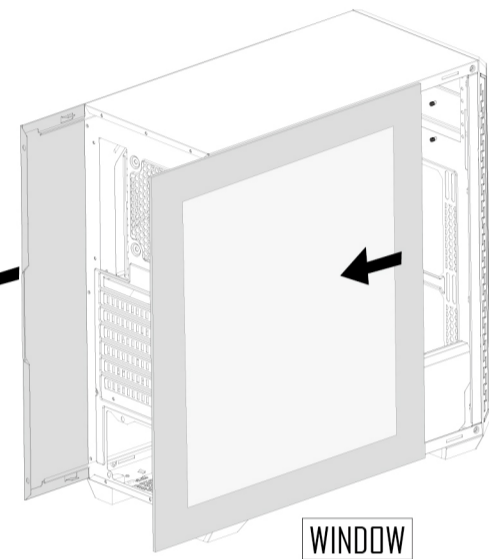
1 REMOVE SIDE PANEL

EXTRACCIÓN DEL PANEL LATERAL
SEITENWAND ENTFERNEN
RETIRER LE PANNEAU LATÉRAL
사이드 패널 분리
サイドパネルを取り外します。
拆下側面板



SILENT

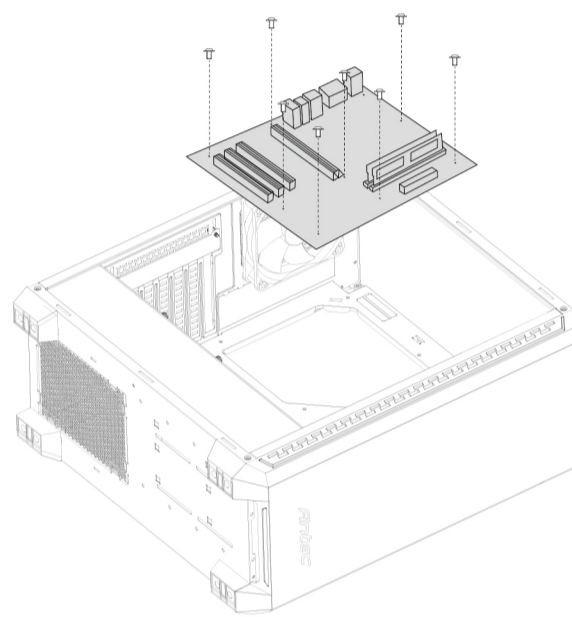
OR



WINDOW

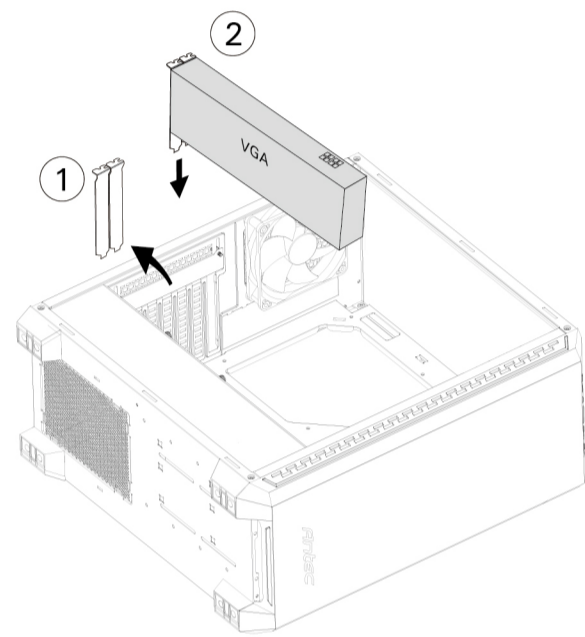
2 MOTHERBOARD INSTALLATION

INSTALCIÓN DE LA PLACA BASE
INSTALLATION DES MOTHERBOARDS
INSTALLATION DE LA CARTE MÈRE
메인보드 장착
マザーボードの設置
安裝主板



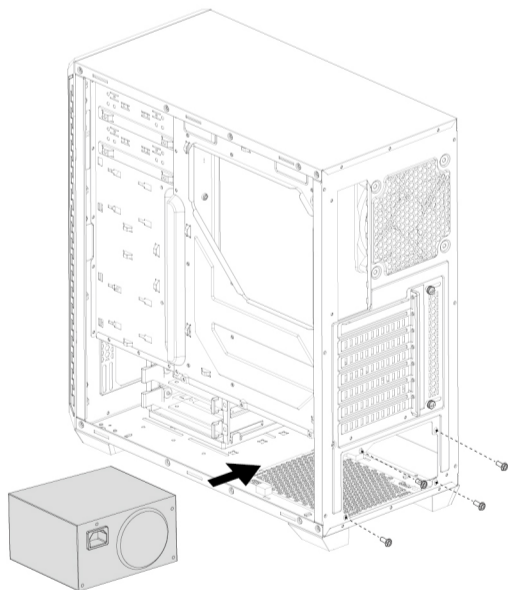
3 VGA/PCI-EXPRESS CARD INSTALLATION

INSTALCIÓN EXPRES DE LA TARJETA VGA/PCI
VGA / PCI-EXPRESS KARTENINSTALLATION
INSTALLATION DE LA CARTE VGA/PCI-EXPRESS
VGA/PCI-E 카드 장착
VGA/PCI-Eの設置
安裝VGA/PCI-E卡



4 POWER SUPPLY INSTALLATION

INSTALCIÓN DE LA FUENTE DE ALIMENTACIÓN
INSTALLATION DES NETZTEILS
INSTALLATION DU BLOC D'ALIMENTATION
파워서프라이 장치
電源の設置
安裝电源组件

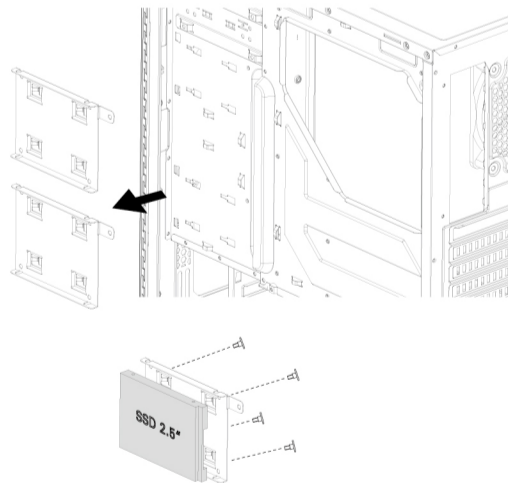


5 HARD DISK INSTALLATION

INSTALCIÓN DEL DISCO DURO
FESTPLATTENINSTALLATION
INSTALLATION DES DISQUES DURS
드라이브 장착
ドライブの設置
安裝驱动器

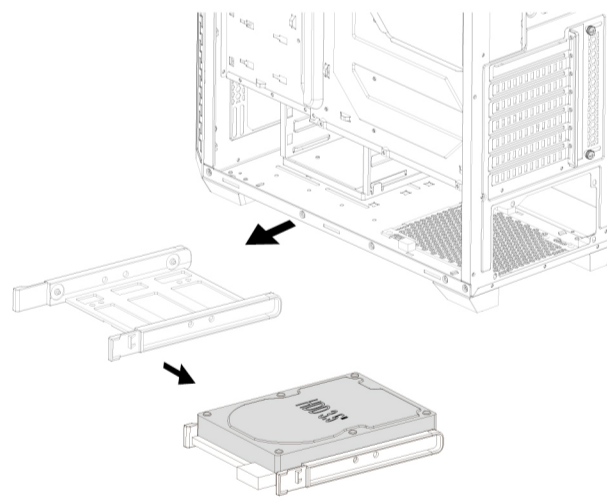
A. INSTALLING A 2.5" SOLID STATE DRIVE

INSTALAR UNA RANURA SOLID STATE DE 2.5"
INSTALLATION EINER 2.5 ZOLL SSD
INSTALLER UN DISQUE DUR 2.5"
2.5" SSD 장착
2.5" 드라이브의設置
2.5寸硬盘安裝



B. INSTALLING A 3.5" HARD DISK DRIVE

INSTALAR UNA RANURA DE DISCO DURO DE 3.5"
INSTALLATION EINES 3.5 "FESTPLATTENLAUFWERKS
INSTALLER UN DISQUE DUR 3.5"
3.5" HDD 장착
3.5" 드라이브의設置
3.5寸硬盘安裝

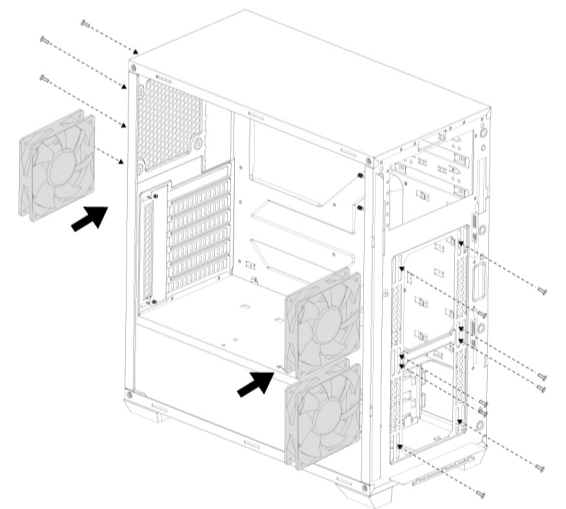


6 RADIATOR INSTALLATION

INSTALCIÓN DEL RADIADOR
KÜHLERINSTALLATION
INSTALLATION DU RADIATEUR
라디에이터 장착
クーリングの設置
散热器安裝

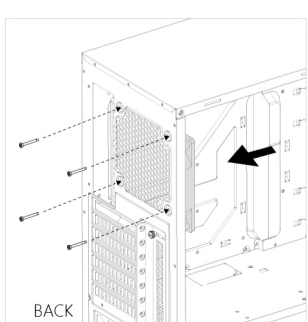
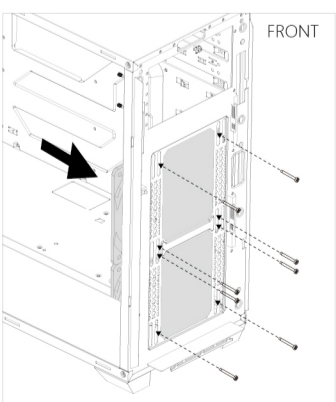
A. FAN INSTALLATION

INSTALAR VENTILADOR
LÜFTERINSTALLATION
INSTALLATION DU VENTILATEUR
팬 장착
ケースファンの設置
风扇安裝



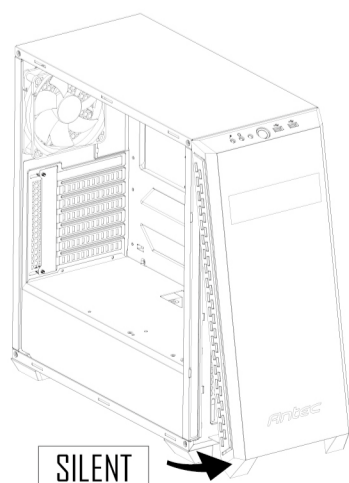
B. INSTALLING LIQUID COOLING RADIATOR

INSTALAR EL RADIADOR DE REFRIGERACIÓN LÍQUIDA
INSTALLATION EINES FLÜSSIGKEITSKÜHLERS
INSTALLATION D'UN KIT DE REFRROIDISSEMENT LIQUIDE
수냉쿨러 장착
水冷の設置
水冷安裝

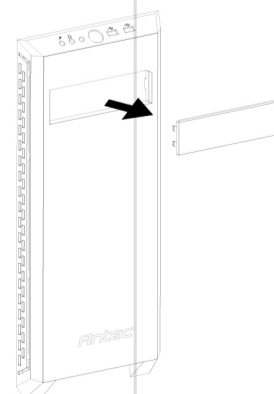


7 ODD INSTALLATION

INSTALCIÓN DEL ODD
ODD-INSTALLATION
INSTALLATION DU ODD
ODD 장착
ODDの設置
光驱安裝

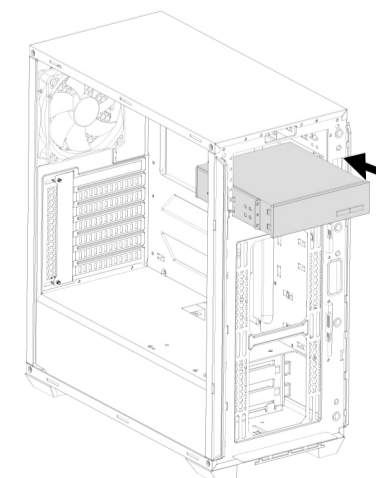


SILENT



ODD INSTALLATION

INSTALCIÓN DEL ODD
ODD-INSTALLATION
INSTALLATION DU ODD
ODD 장착
ODDの設置
光驱安裝



Antec

BELIEVE IT

www.Antec.com/support

Antec, Inc., 47681 Lakeview Blvd, Fremont, CA 94538, 美国
All rights reserved. Specifications are subject to change without prior notice.
Actual products and accessories may differ from illustrations. Omissions and
printing errors excepted. Content of delivery might differ in different countries
or areas. Some trademarks may be claimed as the property of others.

©1986 - 2017 Antec, Inc. All rights reserved.