



# LCD KVM Module

## Quick Installation Guide

DS-72212 • DS-72213 • DS-72214  
DS-72216 • DS-72217

### Introduction

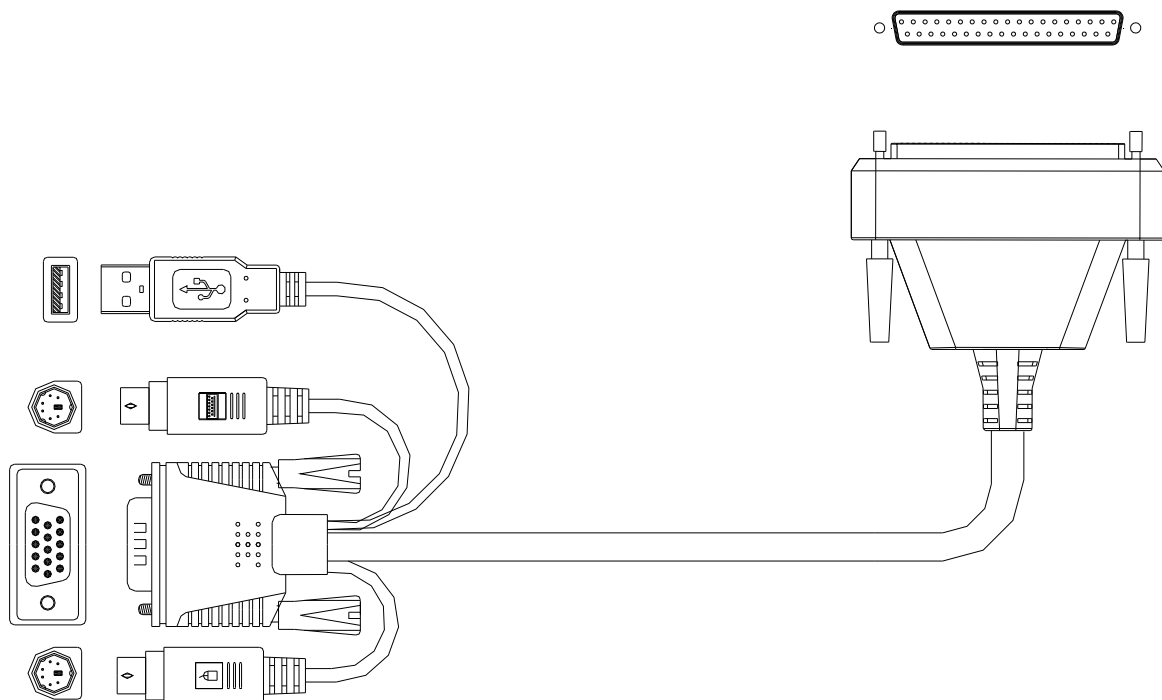
This is a KVM module, which must work with LCD KVM console (17" DS-72210/19" DS-72211)  
The modular design and installation of the product series, you can freely replace the actual needs of the KVM components to facilitate the free combination of different applications.  
According to the module type can be divided into 2 categories: VGA cable type, CAT5 connection type. 1, 8 and 16 port KVM choices are available.

## Package Contents

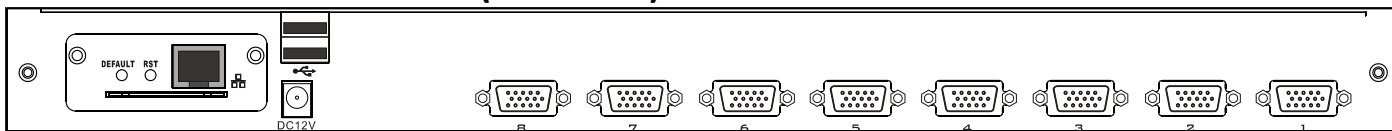
Model Number	DS-72212	DS-72213	DS-72214	DS-72216	DS-72217
KVM module Type	1 Port	8 Port	16 Port	8 Port	16 Port
KVM USB/PS/2 Cable 1.8m	No	x 8pcs	x 16pcs	No	No
USB KVM Cat5 Dongle	No	No	No	x 8pcs	x 16pcs
Install screw	No	x 2pcs	x 2pcs	x 2pcs	x 2pcs
Quick Installation Guide	x 1pcs	x 1pcs	x 1pcs	x 1pcs	x 1pcs

## KVM module Introduction

- ◆ Single port KVM module cable (DS-72212)  
 LCD Console Connector DB37P  
 Computer-side VGA + USB (Type A) + PS/2 keyboard (purple) + PS/2 mouse (green)  
 It is needed if no 8/16 KVM module connected to LCD console.

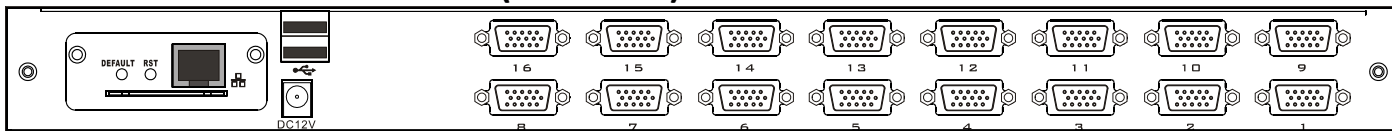


◆ **8 Port VGA KVM module (DS-72213)**



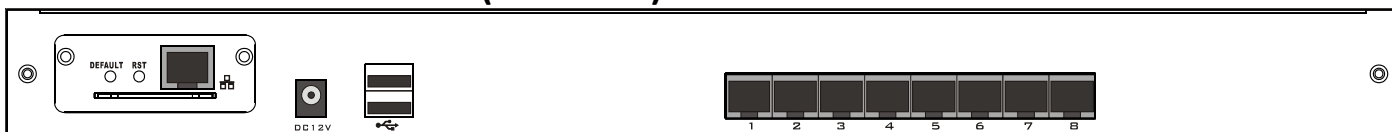
8 port VGA Rear View (with IP module)

◆ **16 Port VGA KVM module (DS-72214)**



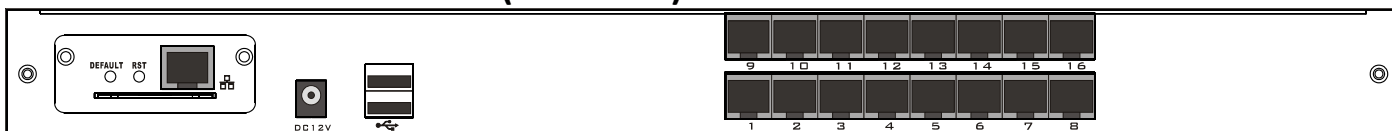
16 port VGA Rear View (with IP module)

◆ **8 Port Cat5 KVM module (DS-72216)**



8 port CAT5 Rear View (with IP module)

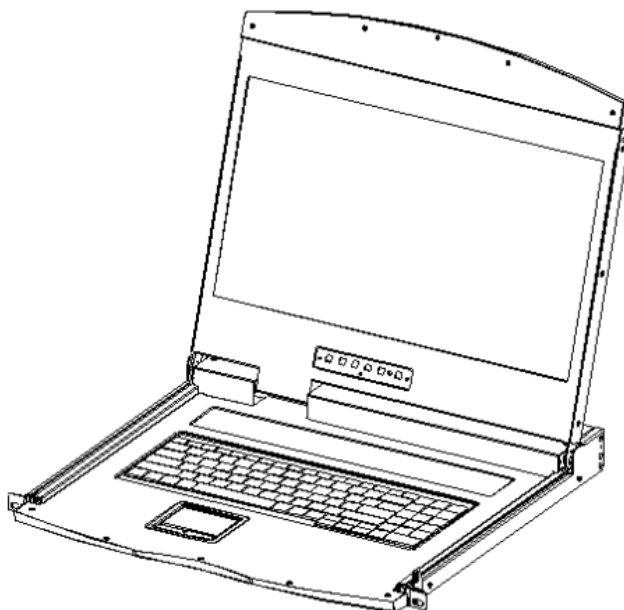
◆ **16 Port Cat5 KVM module (DS-72217)**



16 port CAT5Rear View (with IP module)

**KVM module Installation**

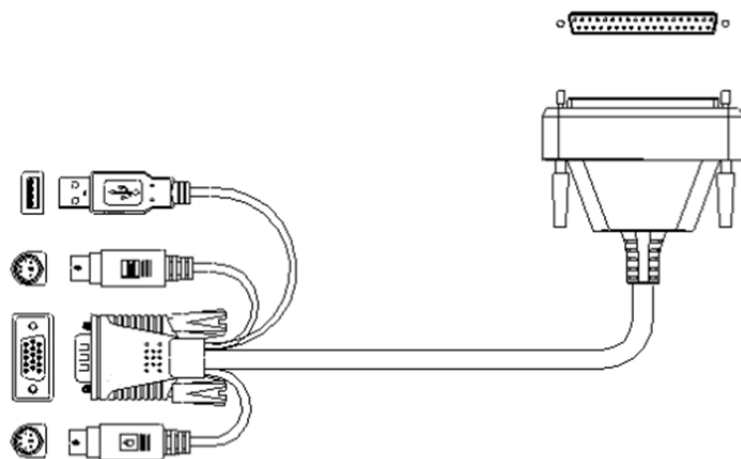
Before Install KVM module, you should have LCD console ready  
For example DS-72211 showing below



## Single Port LCD KVM Cable (DS-72212)

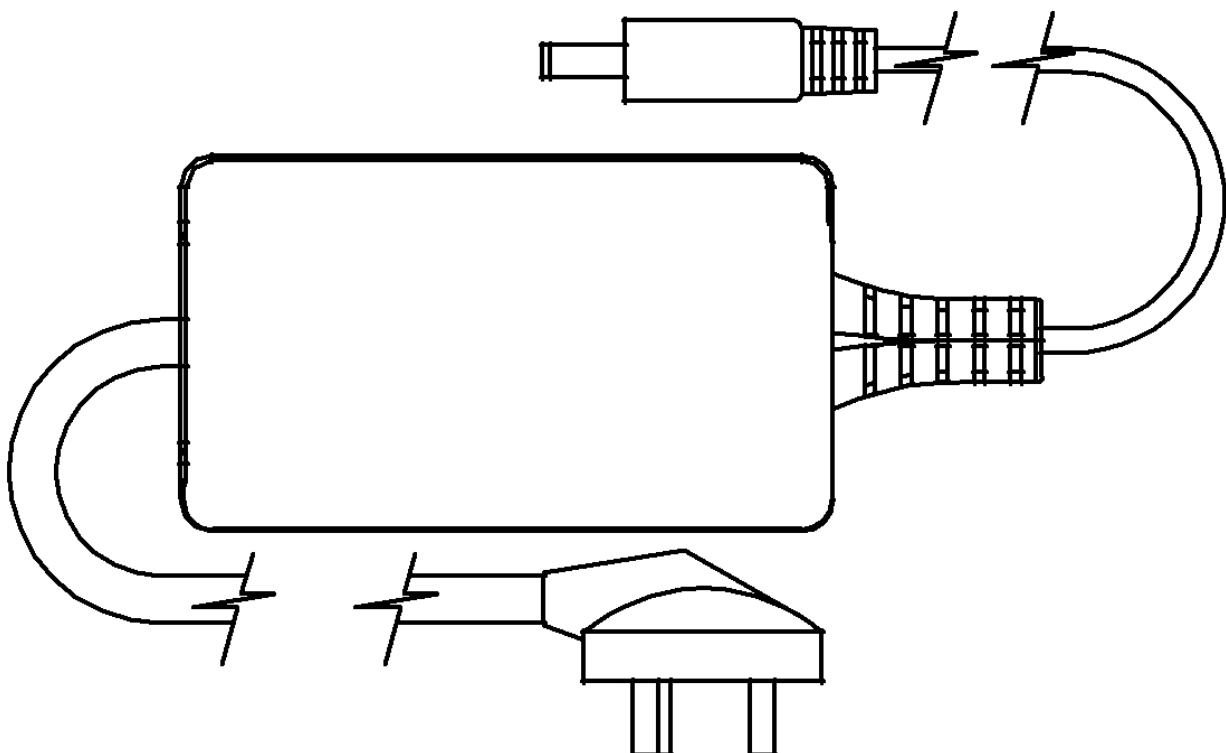
### ◆ VGA Single port LCD KVM

1. Connect DB 37PIN to LCD Console
2. Connect VGA and USB or PS/2 to a computer or a KVM switch



(1 Port KVM module cable: DS-72212)

3. Connect Power adapter

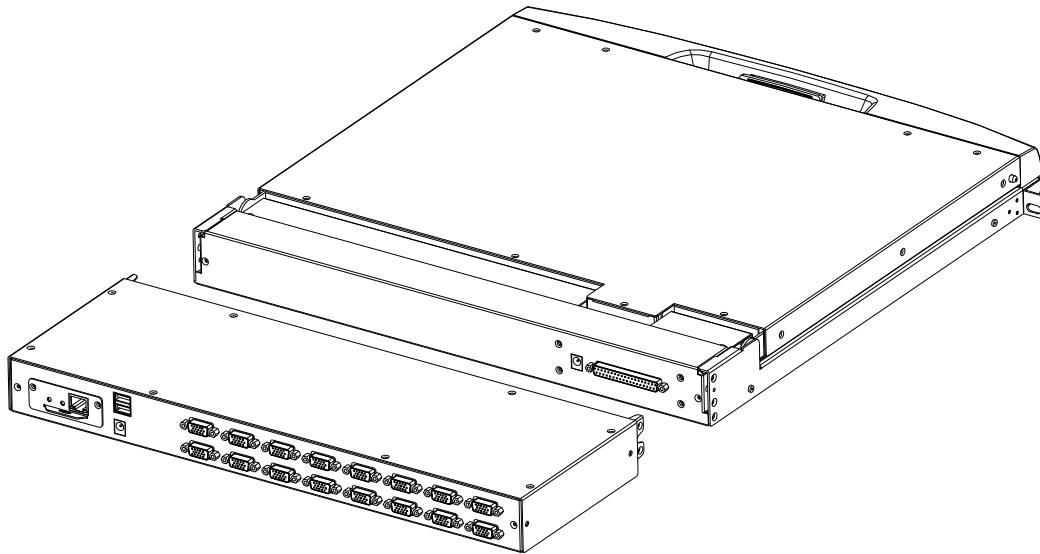


## KVM Module Installation (DS-72213, DS-72214)

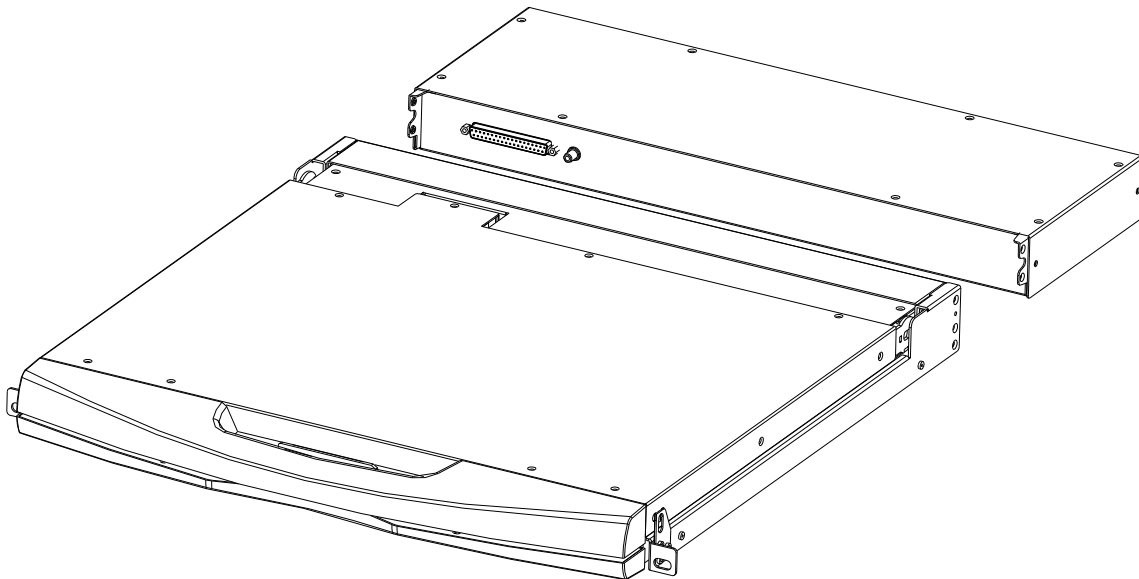
Please refer to the figure for loading and unloading operations:

1. Now put this series of products on the appropriate operating platform, ready for Screwdriver tools for subsequent use of removable screws.

Add the KVM module and the captive screws on the side brackets as shown to install the KVM module into the front LCD Console.



2. Please be careful to connect between the KVM module & LCD console. During the installation or removing, it may damage the connection interface and equipment function failure.



3. Connect Power adapter
4. Turn on computers

# CAT5 KVM Module Installation

(DS-72216, DS-72217)

Connect DB 37PIN to LCD Console, similar to VGA KVM module.

To install a Cat 5 KVM module, refer to the following diagrams and do the following:

1. Plug your USB keyboard and mouse into the USB console port if 2nd console needed.
2. Use a set of CAT5e/6-wire connectors to plug into any available CAT5 Port on the switch. Maximum CAT cable length support 60m.
3. Plug a CAT5e/6-wire connector into the CAT5 connector on the Dongle module of the KVM, and connect the corresponding VGA video connector, USB or PS/2 connector of the Dongle cable to the corresponding port on the PC.
4. Plug the power adapter supplied with this package into the AC power source, and plug the other end of the power adapter into the power jack on the switch.
5. Connect the network cable to the IP port of the IP module. (Optional)
6. Turn on the computer.

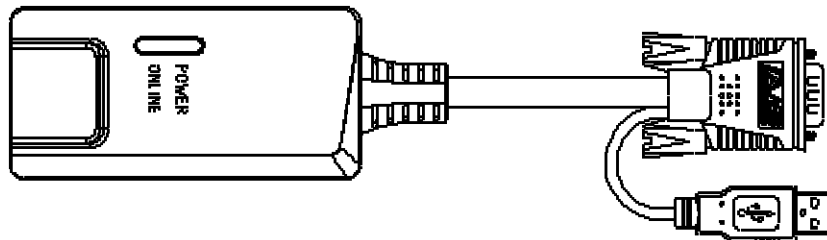
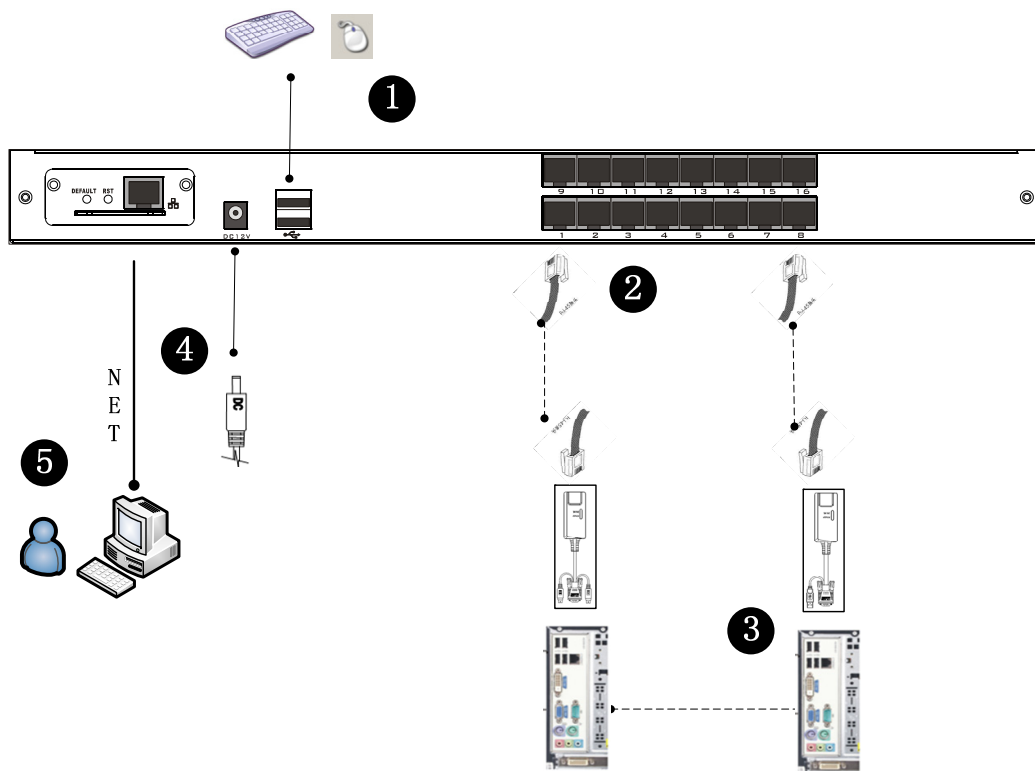
---

---

**Note:**

1. Make sure that all plugs are connected to the same group of KVM connection port jacks (all connected to Port1, or all connected to Port2).
2. The IP module is an optional module of the product. If the product you purchased does not include the module, please ignore the related operation in Step 5.
3. Before using the IP module, please make the appropriate configuration and network debugging after the access to the network you want to connect, or may fail to connect because of normal remote control. (Refer to the manual of the IP module product manual for how to use and debug the IP module.)
4. LCD KVM conversion module is divided into two types: PS/2 and USB port, you can connect your computer to choose the appropriate conversion module to use.
5. Make sure you are connecting to a computer and LCD KVM switches have a good grounding protection altogether, or it may produce a video display problems
6. For display problems caused by transmission distance, electromagnetic interference, common ground, etc. It is recommended to use Category 6 shielded network cable to connect and try to improve the display effect

# Connection Diagram



(Dongle module)

---

**(Maximum cable length 60m)**

This is a Class A product. In home environment, this product may cause radio interference. In this case, the user may be required to take appropriate measures.

Hereby Assmann Electronic GmbH, declares that the Declaration of Conformity is part of the shipping content. If the Declaration of Conformity is missing, you can request it by post under the below mentioned manufacturer address.

www.assmann.com  
Assmann Electronic GmbH  
Auf dem Schüffel 3  
58513 Lüdenscheid  
Germany

