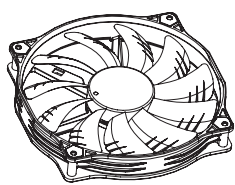
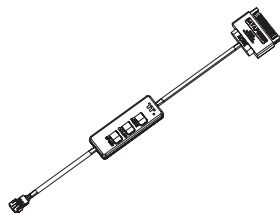


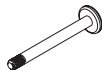
Parts List



A x1
Fan



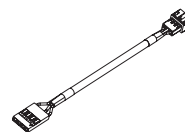
B x1
ARGB Controller



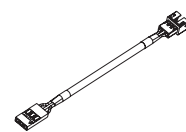
C x4
Long Screw



D x4
Short Screw



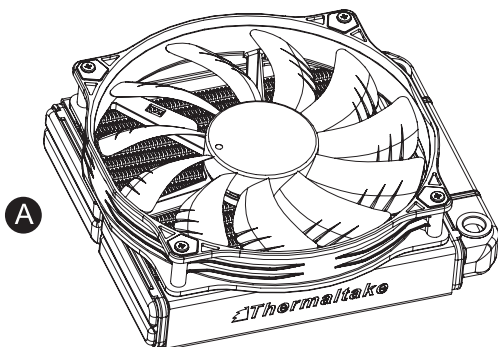
E x1
Mainboard Signal
Bridge Cable
(ASUS,MSI)



F x1
Mainboard Signal
Bridge Cable
(GIGABYTE)

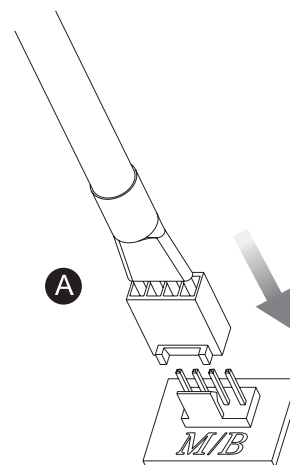
Installation Guide

1



Install the fan onto the radiator

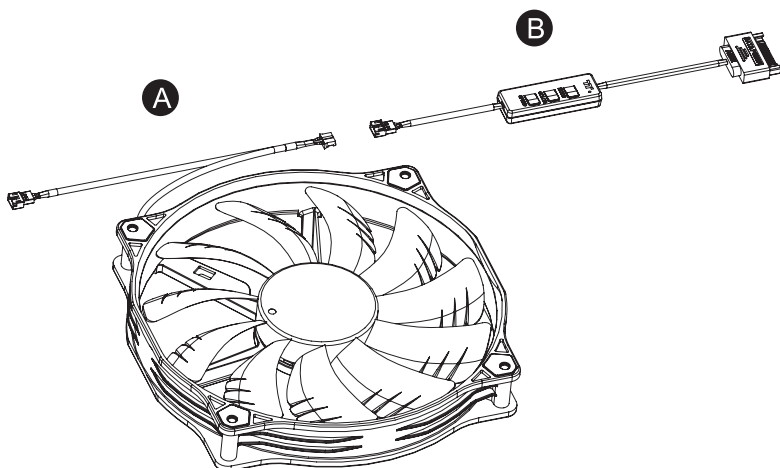
2



Connect the fan power cable onto the mainboard

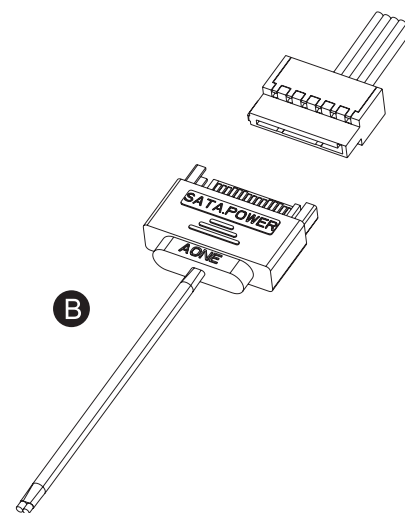
ARGB Controller Installation Guide

1



Connect the ARGB controller onto the fan

2



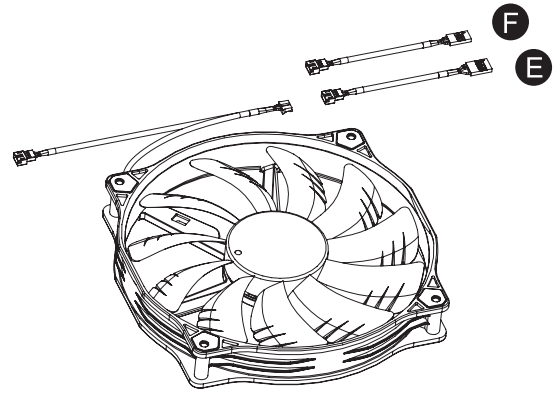
Connect the ARGB controller to the SATA connector.

Mianboard SYNC installation Guide

CAUTION

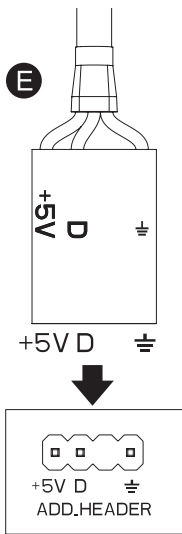
Please power off the PC and check the Positive and Negative ends on the connector before connecting the cable to mainboard. Connecting the wrong end can damage the fans.

Connect the Mainboard Signal Bridge Cable to fan led cable



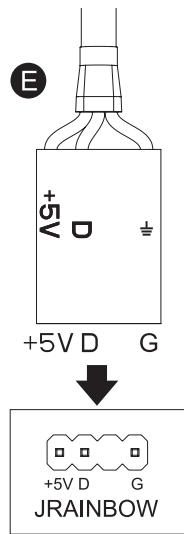
ASUS

Aura Addressable Strip Header(s)



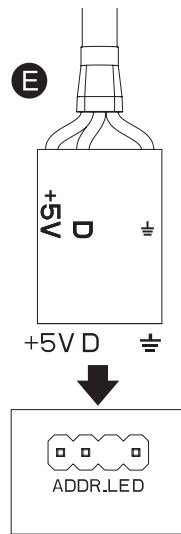
MSI

JRGB-strip Header(S)



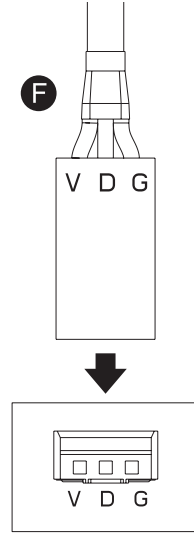
ASROCK

Addressable RGB LED Header(s)

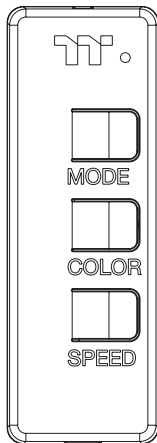


GIGABYTE

AOURS RGB Fusion with Digital LEDs



ARGB Controller



1. Light Mode:

Switch over between 7 LED modes.

Wave → Full light → RGB Spectrum → Off → Flow → Ripple → Pulse → Blink

2. Color Mode:

When light mode is in Full Lighted, Pulse and Blink :

Switch over 8 LED colors .

Red → Yellow → Green → Teal → Blue → White → Purple → Rainbow

When light mode is in Ripple :

Switch over 7 LED colors .

Red → Yellow → Green → Teal → Blue → White → Purple

When light mode is in RGB Spectrum:

Click to memorize and lock the color you want, click again to unlock the 256 colors auto rotation.

When light mode is in Wave and Flow :

LED color can not be adjusted.

3. Light Speed:

Switch over between 4 light modes.

Slow → Normal → Fast → Extreme