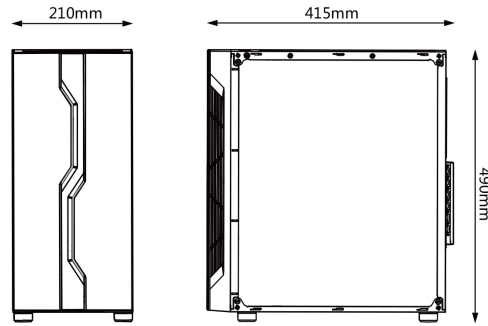




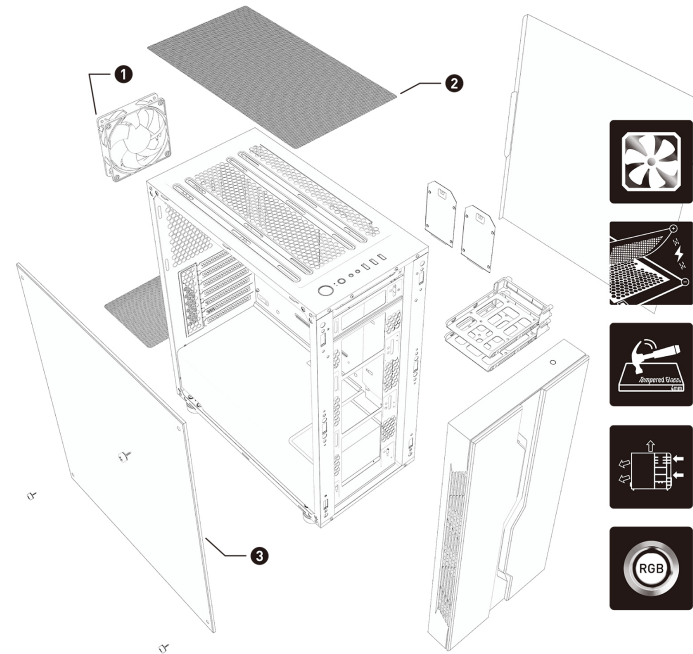
MAG VAMPIRIC 010

Specification / 產品規格



Type 機型	Mid-Tower 中塔機箱
Motherboard 主板兼容	ATX / M-ATX / Mini-ITX
3.5" HDD	2
2.5" HDD	2
Expansion Slots 拓展插槽	7
MAX CPU Cooler CPU散熱器限高	167mm
MAX GPU 顯示卡限高	350mm
Front Panel 前面板支援	1xUSB 3.0, 2xUSB 2.0, HD Audio/Mic
Cooling System 散熱系統	Front: 3x120mm; Top: 2x120mm; Rear:120mm
Radiator Support 水冷排系統支援	Front: up to 360mm; Top: up to 240mm Rear: up to 120mm

Feature / 產品特色



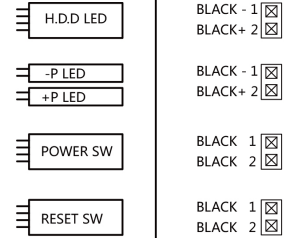
- 1 A-RGB Fan Included**
Packing with an addressable RGB fan support MSI Mystic Light for the unlimited customization options
- 2 Magnetic Dust Filter**
Case magnetic dust filters design give user best experience when un-installing and cleaning.
- 3 4mm Tempered Glass**
4mm tinted tempered glass side panel, making it ideal for showcasing your build with (RGB) lighting
- Optimized Air Flow**
Up to 6x system fans could be installed. Provides the whole system with ventilation for better stability.
- Mystic Light**
MSI Mystic Light offers multiple colors and variety effects for you to set up the whole rig by your own way

1x 120mm Fan Included

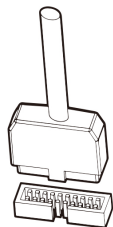
Accessories / 配件

配件名称	规格	备注
	32 x 6mm (2)	Side Panel (Steel) 鐵側板使用
	32 x 6mm (4)	Side Panel 全透明側板使用
	32 x 6mm (4)	PSU 電源供應器使用
	W-03B(20)	Motherboard 主機板使用
	W-04B(4)	SSD / HDD 硬碟安裝使用
	W-05(3)	Motherboard Stud 主機板螺柱
	L159MM(5)	Cable Management 理線使用

Cable Connection / 線材連結說明

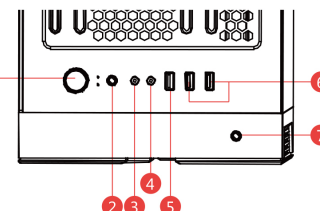


Connect Power/Reset and LED
連接Power/Reset與LED燈號線



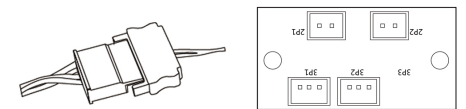
Connect USB 3.0
安裝USB 3.0端口

Front Panel / 前面板說明



- 1.Power ON/OFF / 電源開關
- 2.Reset / 重啟開關
- 3.MIC / 麥克風輸入
- 4.AUDIO / 聲音輸出
- 5.USB 3.0
- 6.USB 2.0
- 7.LED Control / LED控制鍵

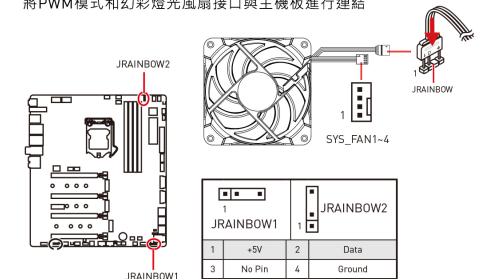
Connect Front LED / 連結前面板LED



Connect Front LED / 連接前置幻彩控制板

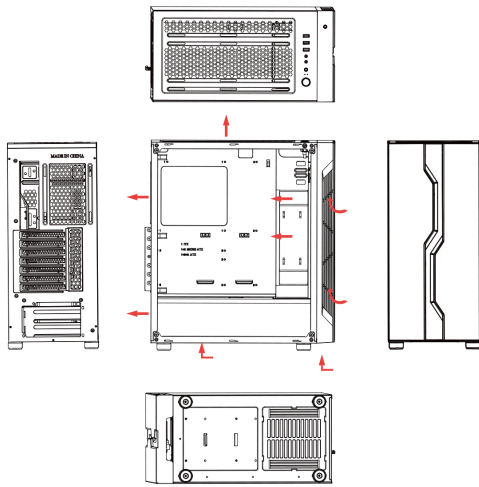
Connect the Front LED power cable to PSU.
將前置幻彩燈光供電接口與電源供應器進行連結

Connect PWM Mode and Addressable RGB LED to motherboard.
將PWM模式和幻彩燈光風扇接口與主機板進行連結

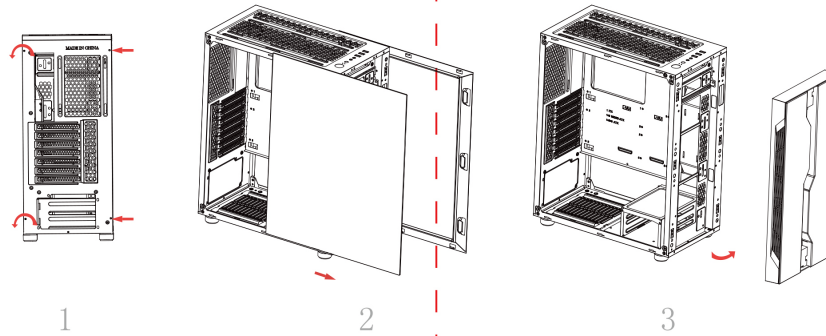


* Please refer to your motherboard manual for details.

Cooling Suggestion [散熱建議]



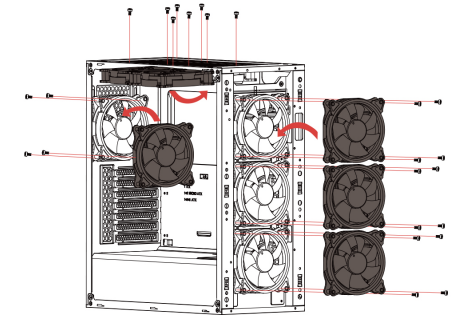
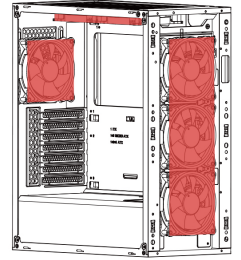
Remove Front Bezel [移除前面板]



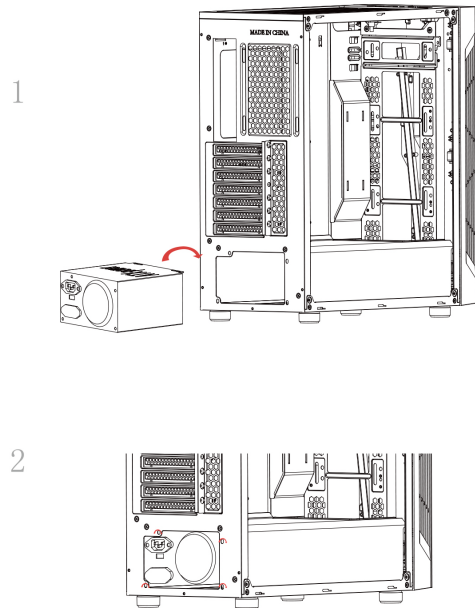
Cooling Fan Installation [風扇安裝]

Cooling System:
Front: 3x120mm or 3x140mm
Top: 2x120mm or 2x140mm
Rear: 1x120mm

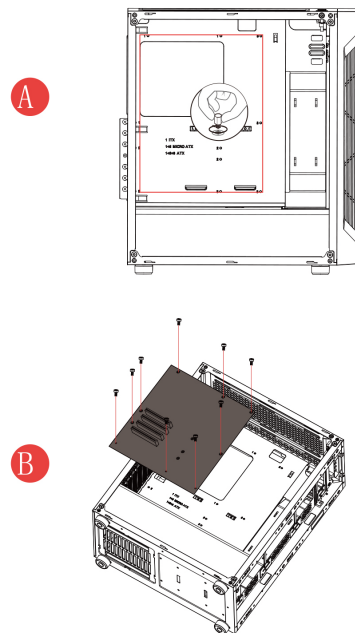
散熱風扇位:
前置:120mm風扇x3 或140mm風扇x3
頂置:120mm風扇x2 或140mm風扇x2
後置:120mm風扇x1



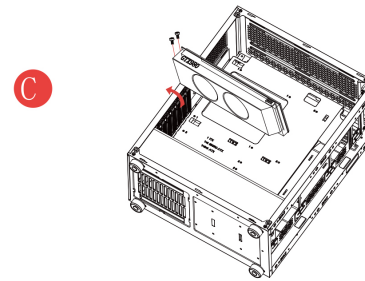
PSU Installation [電源供應器安裝]



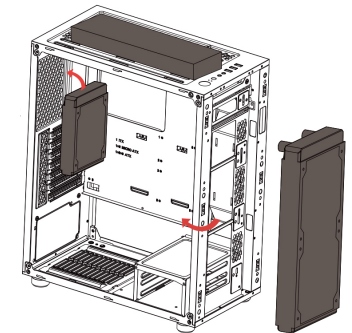
Motherboard Installation [主機板安裝]



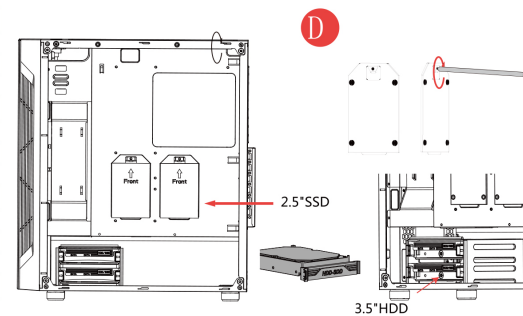
VGA Installation [顯示卡安裝]



Radiator Installation [水冷排系統安裝]



HDD/SSD Installation [硬碟安裝]



Specifications are subject to change without notice.
規格若有變更,恕不另行通知