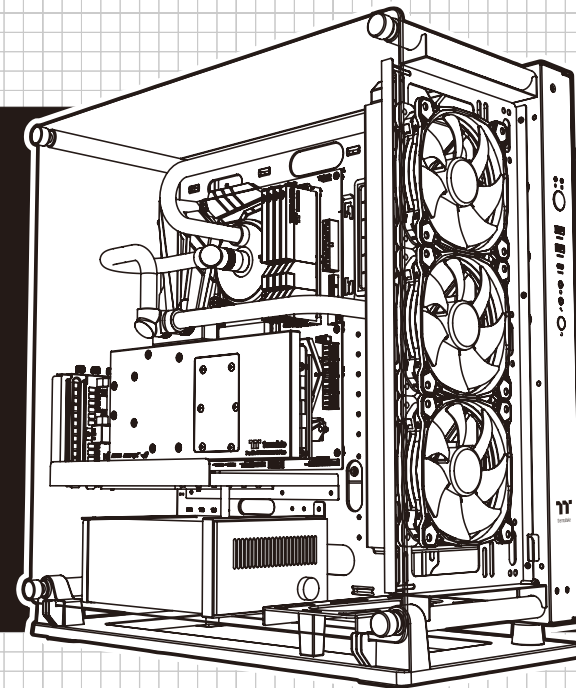


CORE P3 T6 PRO

Your Build. Our Core



User's Manual
Benutzerhandbuch
Mode d'emploi
Manual del usuario
Manuale dell'utente
Manual do Utilizador
安裝說明書
用戶手冊
ユーザーズマニュアル
Руководство пользователя
kullanıcı elkitabı
(EEE Yönetmeliğine Uygun)
คู่มือการใช้งาน

Picture is for reference only

TT Premium



TT Premium

To continue achieving the corporate mission of delivering the perfect user experience, Thermaltake developed "TT Premium" with the essence of combining supreme quality products with a new logo design. TT Premium is far more than just a guarantee of quality. Behind the name, it represents the passion in DIY, Modding and Thermaltake's desire to be the most innovative brand in the PC hardware market. To satisfy the demand of the high-end PC users, TT Premium follows its core values of Excellent Quality, Unique Design, Diverse Combinations and Boundless Creativity to provide a high performance PC product for every enthusiast. <http://tppremium.com>

Tt LCS-Liquid Cooling Support Certification



Tt LCS Certified is a Thermaltake exclusive certification applied to only products that pass the design and hardcore enthusiasts standards that a true LCS chassis should be held to. The Tt LCS certification was created so that we at Thermaltake can designate to all power users which chassis have been tested to be best compatible with extreme liquid cooling configurations to ensure you get the best performance from the best features and fitment.

Join Tt Community To Receive Benefits



Dear Valued Customer,
Thank you for choosing Thermaltake.
As a new user we value your thoughts and opinions and your feedback is important to us. We at Thermaltake would like to use this opportunity to invite you to join our Community Forums. Register today to start enjoying the full benefits of our community.



Benefits of being a member:

- Quick and responsive user support
- Receive help and advice with new builds
- Keep up to date with new product releases
- Share your thoughts and builds with the community
- Enter monthly contests and giveaways

Brand official website
<http://www.thermaltake.com/>

Global Facebook
<https://www.facebook.com/ThermaltakeInc>

Taiwan Facebook
<http://www.facebook.com/ThermaltakeTW>

Global community forums
<http://community.thermaltake.com>

CONTENTS


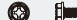









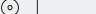



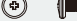

Chapter 1. Product Introduction

1.0	Specification	01
1.1	Accessory	02
1.2	Warning and Notice	03

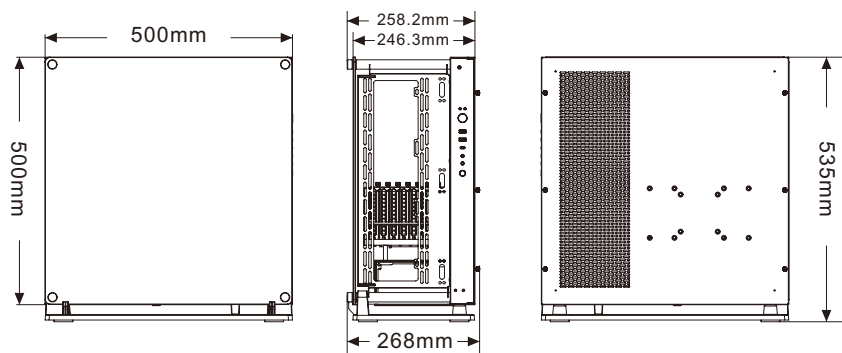
Chapter 2. Installation Guide

2.0	Components Installation	06
2.1	Window Panel Installation	07
2.2	Stand Installation	08
2.3	Fan Bracket Installation	09
2.4	Power Supply Unit (PSU) Installation	10
2.5	Motherboard Installation	12
2.6	3.5" & 2.5" HDD Installation	13
2.7	PCI Card Installation	15
2.8	Liquid Cooling Installation	19
2.9	Air Cooling Installation	21
2.10	Wall-mounting	22
2.11	I/O Connection	23

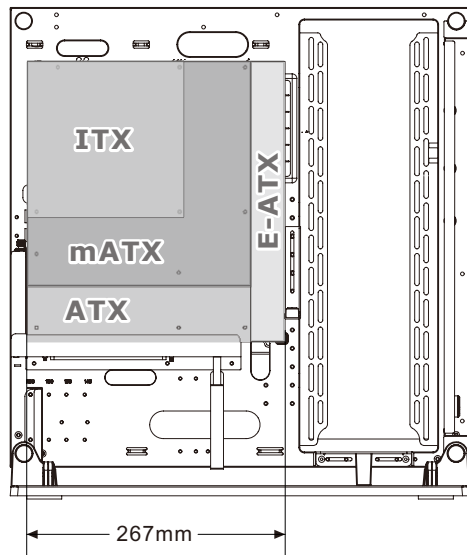
Case Type	Mid Tower
Dimension (H*W*D)	535 x 268 x 500 mm (21.06 x 10.55 x 19.69 inch)
Side Panel	Tempered Glass x 1
Material	SPCC
Cooling System	-
Drive Bays	2 x 3.5" or 3 x 2.5" 4 x 3.5" or 5 x 2.5" (With HDD bracket)
Expansion Slots	8 (Rotatable Patented Design)
Motherboards	6.7" x 6.7" (Mini ITX), 9.6" x 9.6" (Micro ATX), 12" x 9.6" (ATX), 12" x 10.5" (E-ATX)
I/O Port	USB 3.2 (Gen 2) Type C x 1, USB 3.0 x 2, HD Audio x 1
PSU	Standard PS2 PSU (optional)
Fan Support	Right (M/B Side): 3 x 120 mm, 2 x 120 mm, 1 x 120 mm 3 x 140 mm, 2 x 140 mm, 1 x 140 mm Bracket (Front or Top): 3 x 120 mm, 2 x 120 mm, 1 x 120 mm 3 x 140 mm, 2 x 140 mm, 1 x 140 mm
Radiator Support	Right (M/B Side): 1 x 360 mm, 1 x 240 mm, 1 x 120 mm 1 x 420 mm, 1 x 280 mm, 1 x 140 mm Bracket (Front or Top): 1 x 360 mm, 1 x 240 mm, 1 x 120 mm 1 x 420 mm, 1 x 280 mm, 1 x 140 mm
Clearance	CPU cooler height limitation: 180mm VGA length limitation: 330mm (With Reservoir) 450mm (Without Reservoir) PSU length limitation: 200mm

Figure	Part Name	Q'ty	Use For
	Screw-off #6-32 x 6 mm	11	Motherboard
	Screw #6-32 x 6 mm	32	PSU / PSU Brackets / HDD Bracket / Vertical VGA Bracket / PCI-e Bracket / Pump Bracket
	Screw #6-32 x 6 mm	2	Stand-off Pole #6-32
	Net setter	1	Motherboard Stand-off
	Cable Ties	10	Cable Management
	Buzzer	1	Motherboard Alarm
	Screw M3 x 6.5 mm	20	2.5" SSD
	HDD Rubber	16	3.5"/ 2.5" HDD/SSD
	Rubber M5	4	Tempered Glass Panel
	Rubber M5 x 1.5	4	Tempered Glass Panel
	Rubber Foot	4	Horizontal Case Placement
	Stand-off Pole #6-32	1	Vertical VGA Bracket
	Screw #5 x 10 mm	12	Fans
	Screw #6-32 x 6 mm	30	Motherboard/ 3.5" HDD/ Riser Cable
	Thumb Screw #6-32 x 6 mm	5	Riser Cable Bracket/ VGA Holder
	Screw M4 x 10 mm	2	Foot for Vertical Case Placement
	Screw #6-32 x 10 mm	4	Rubber Feet for Horizontal Case Placement

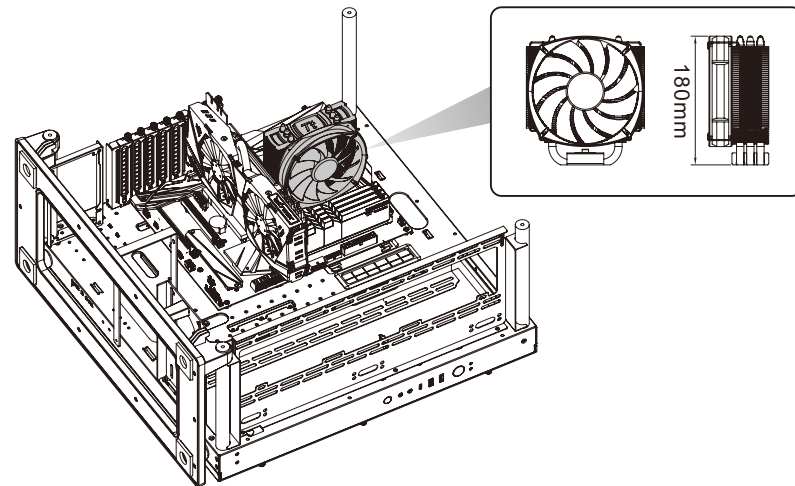
Chassis dimension



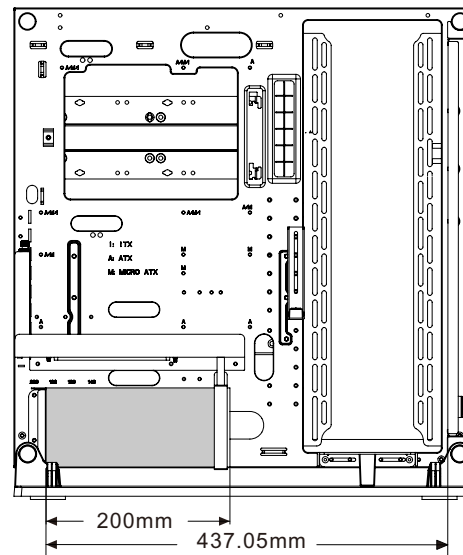
Motherboard Compatibility: ITX / mATX / ATX / E-ATX (Up to 267mm wide)



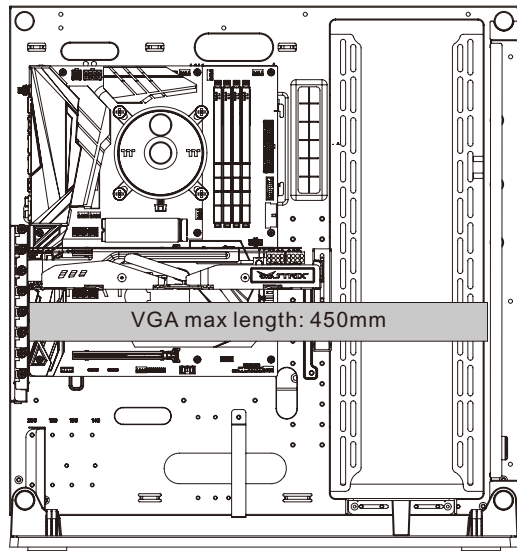
CPU cooler max height: 180mm



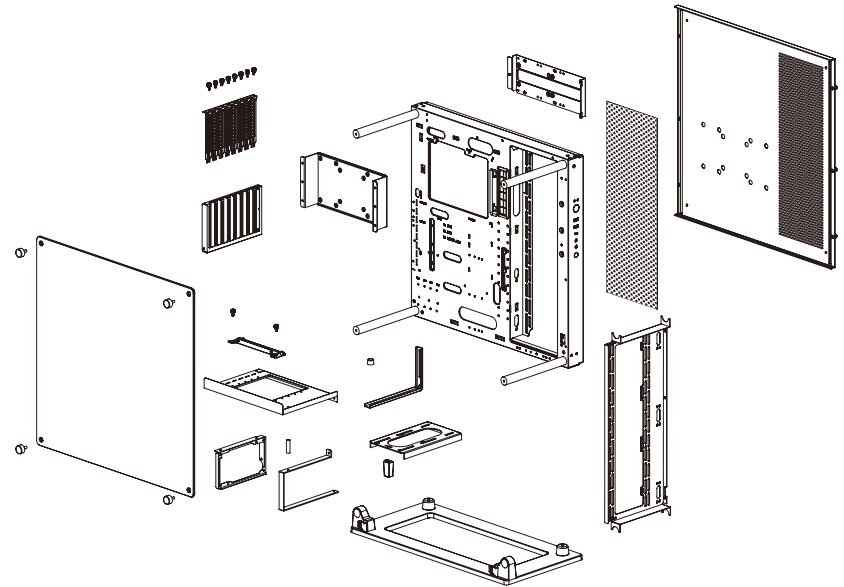
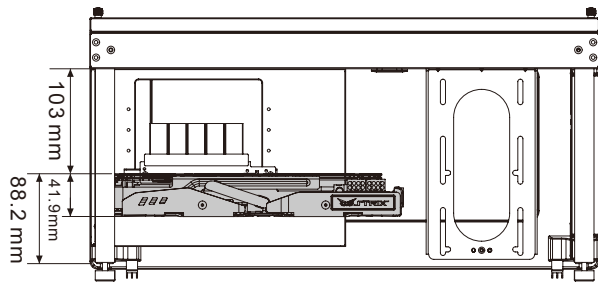
PSU max length: 200mm

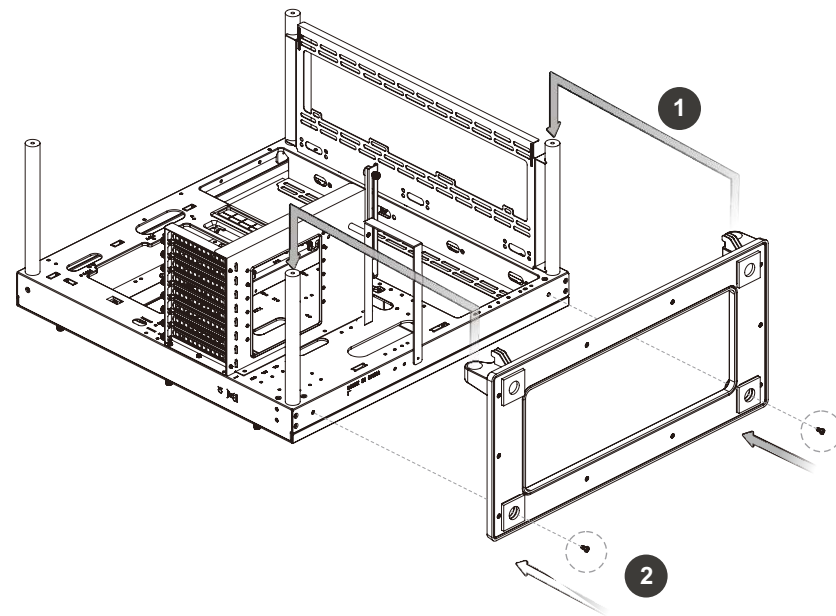
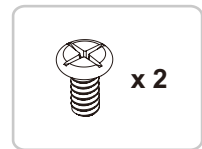
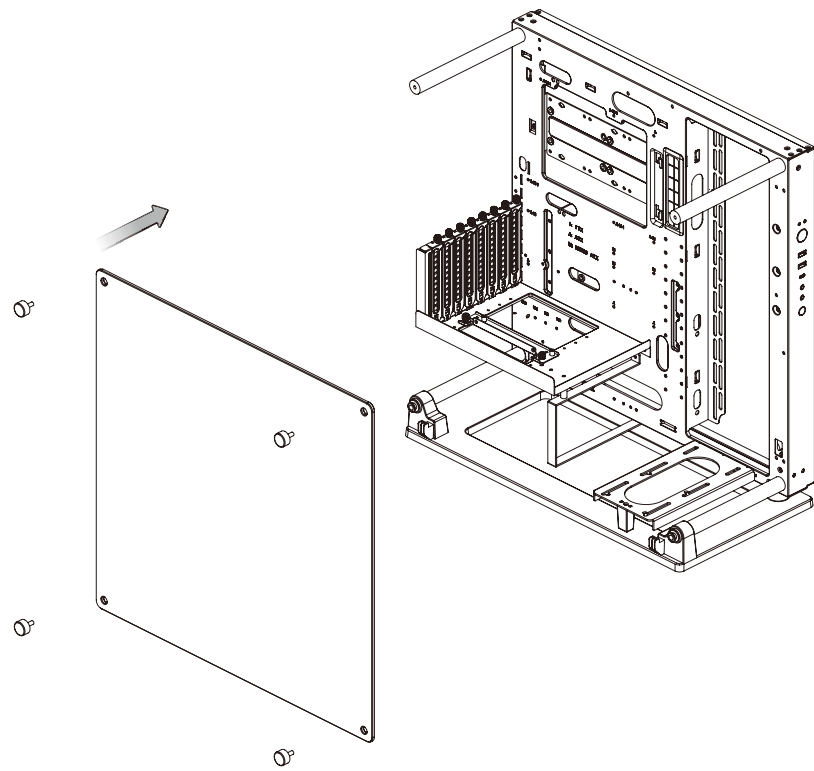


VGA max length: 450mm

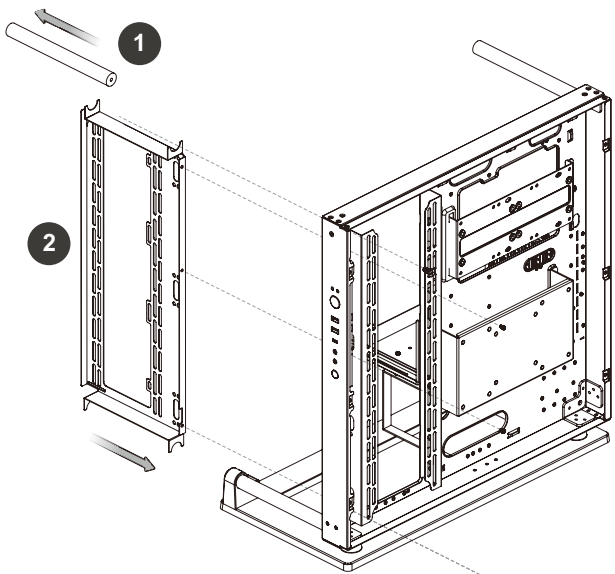


VGA max width: 88.2mm

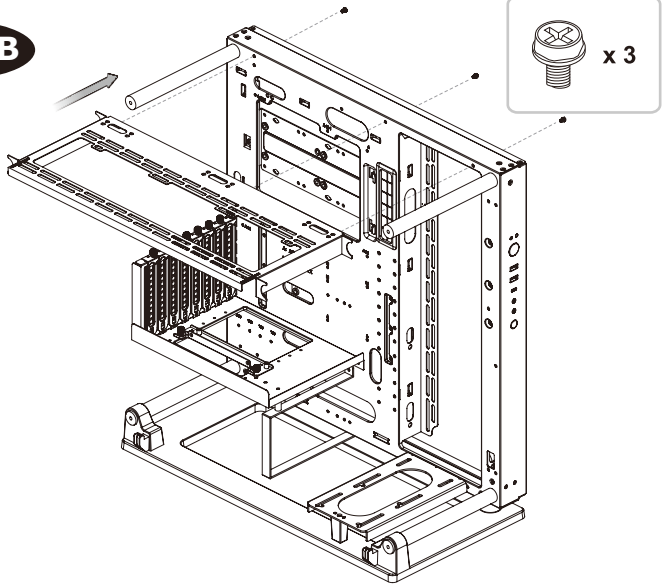




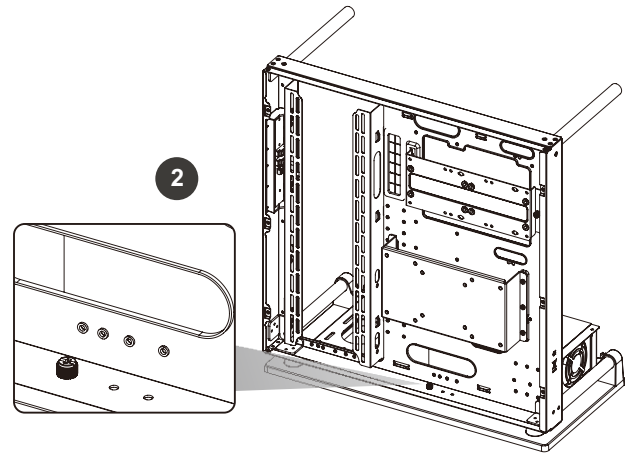
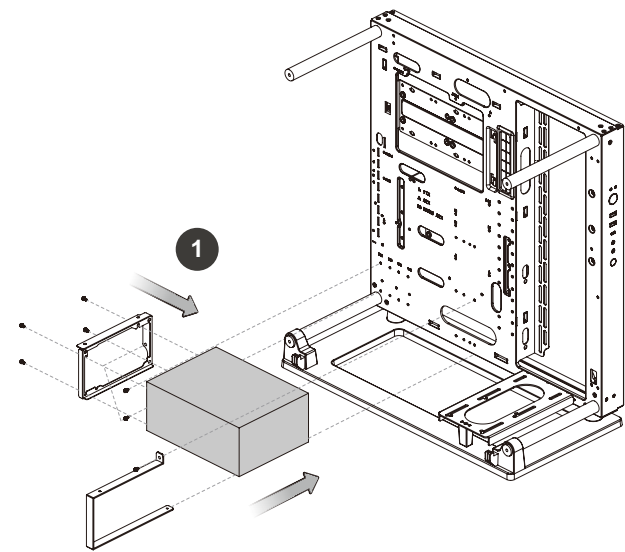
Type A

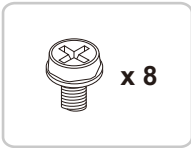


Type B

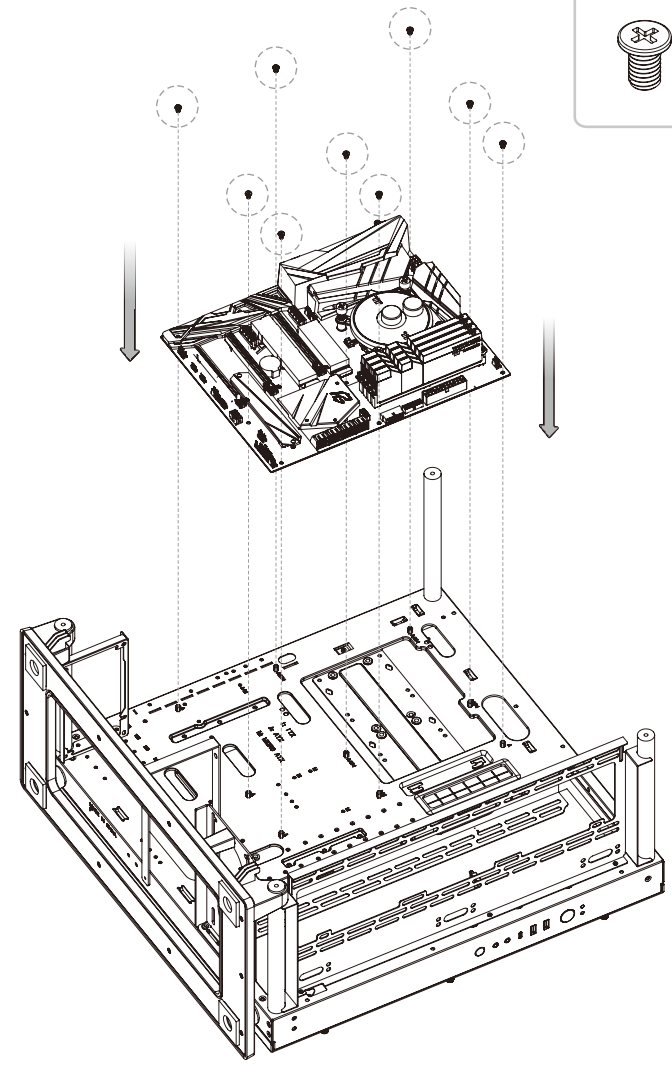
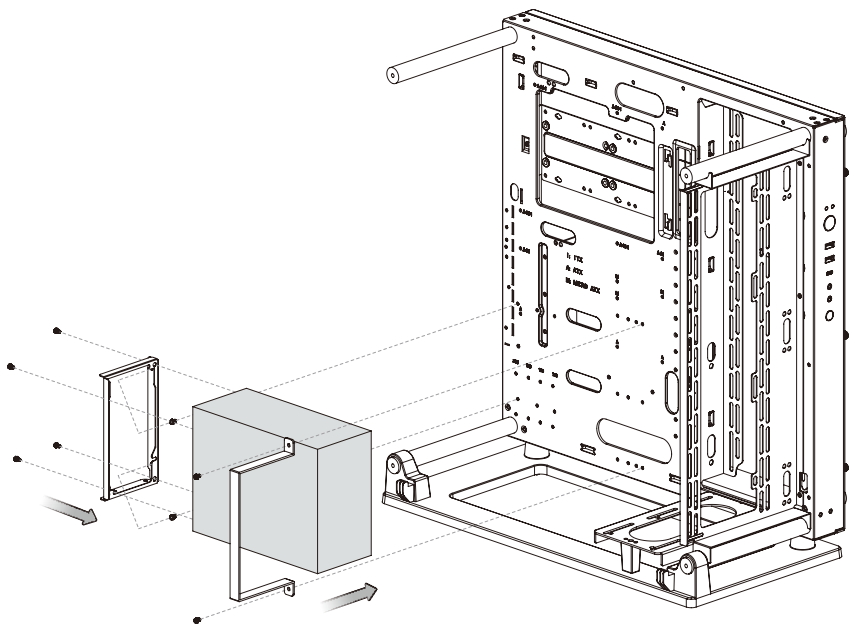


Type A: Horizontal PSU



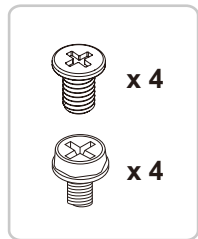
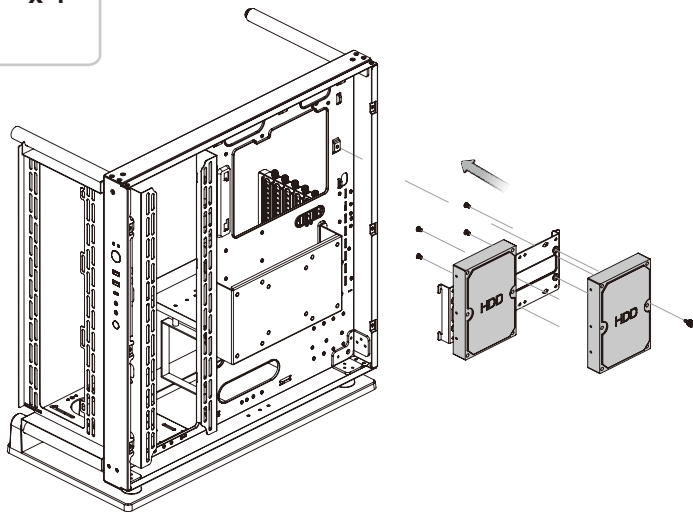


Type B: Vertical PSU
 (mATX/ITX motherboard only)

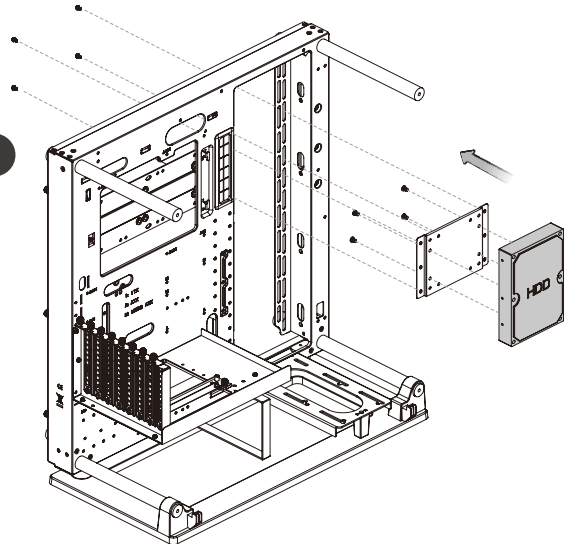




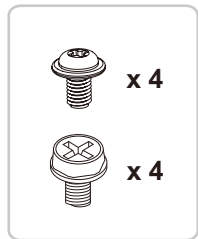
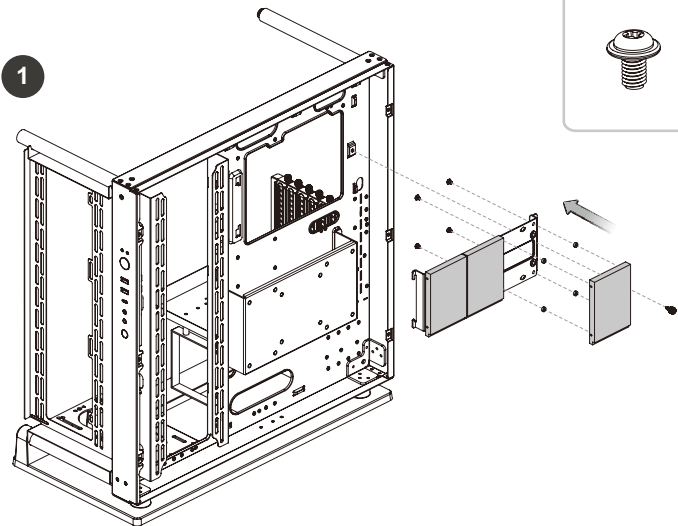
1



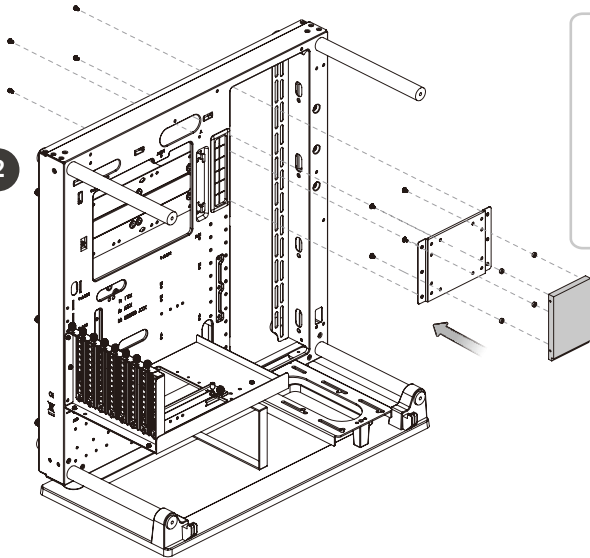
2



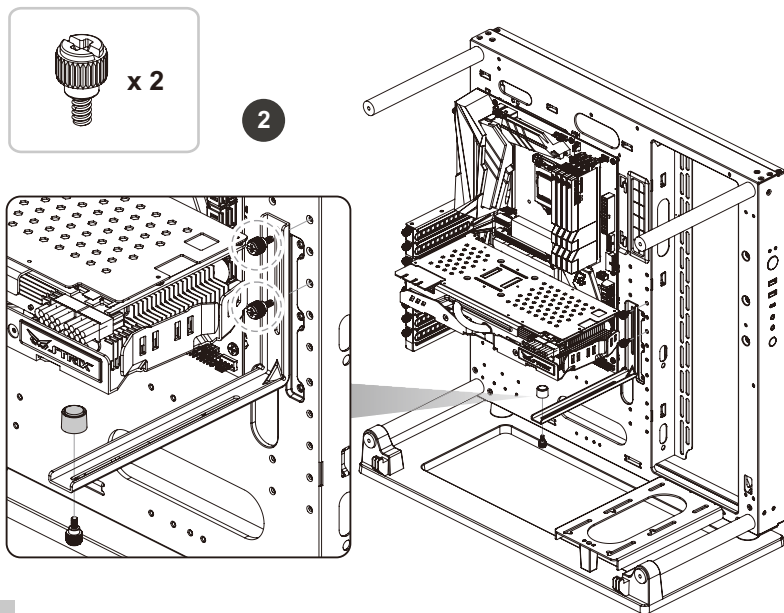
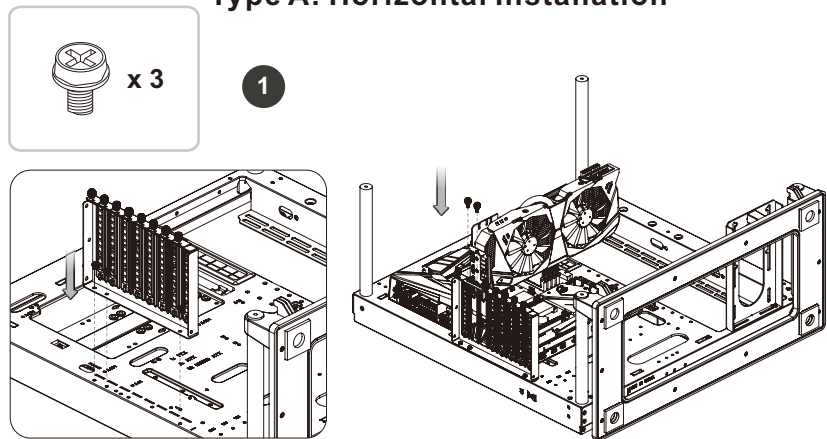
1



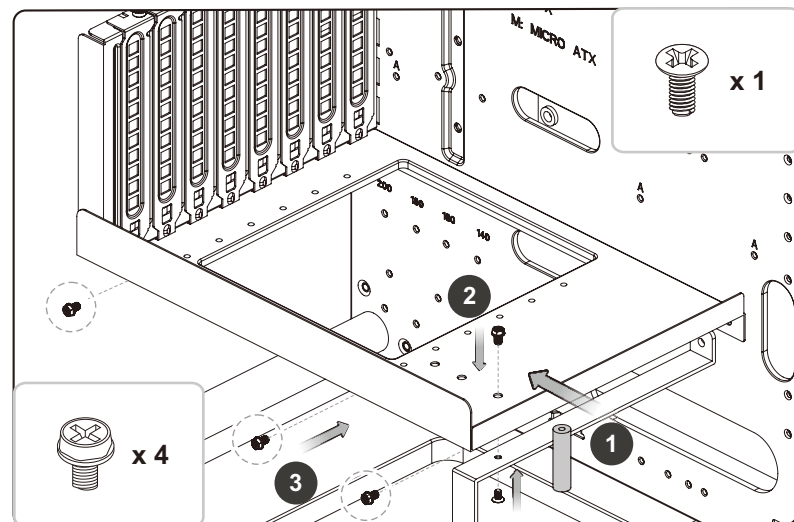
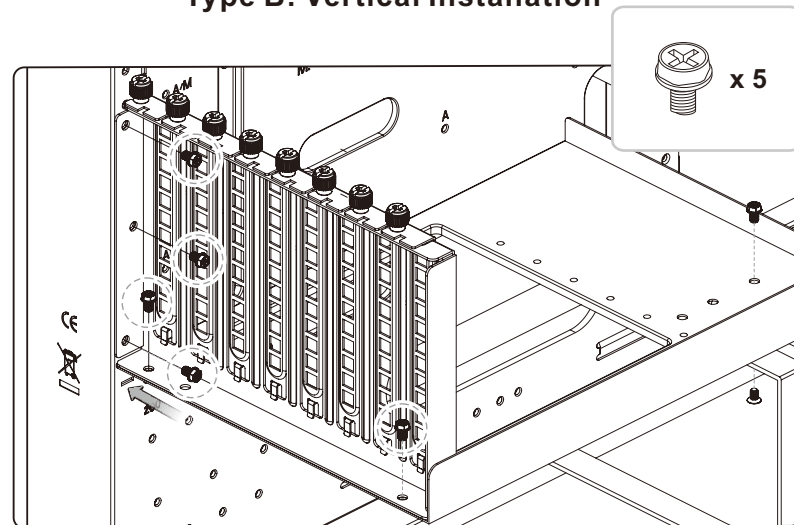
2

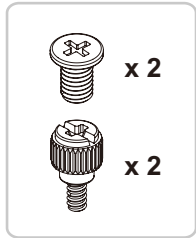


Type A: Horizontal Installation

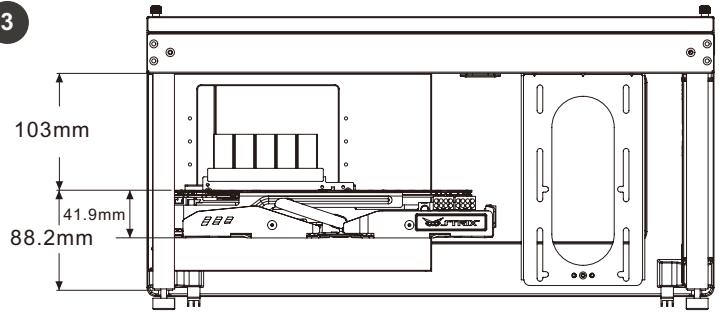


Type B: Vertical Installation





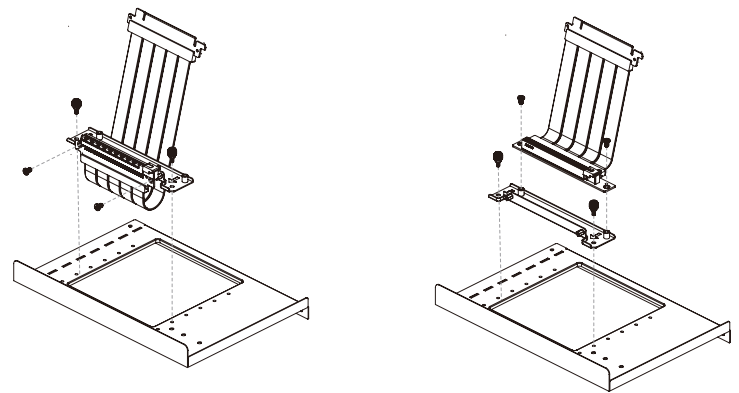
3



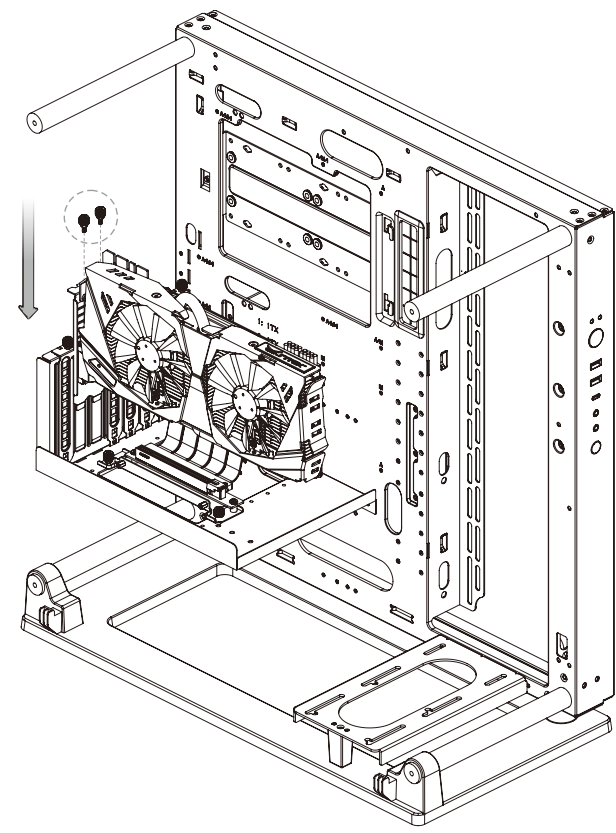
A: 180 degree adapter

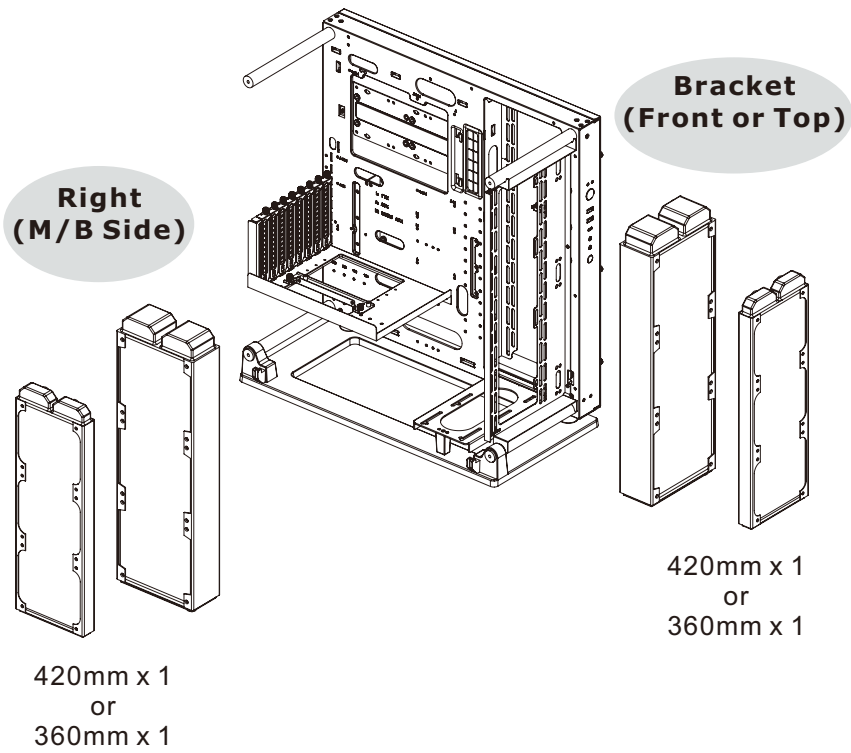
B: 90 degree adapter

* Riser cable is not included.

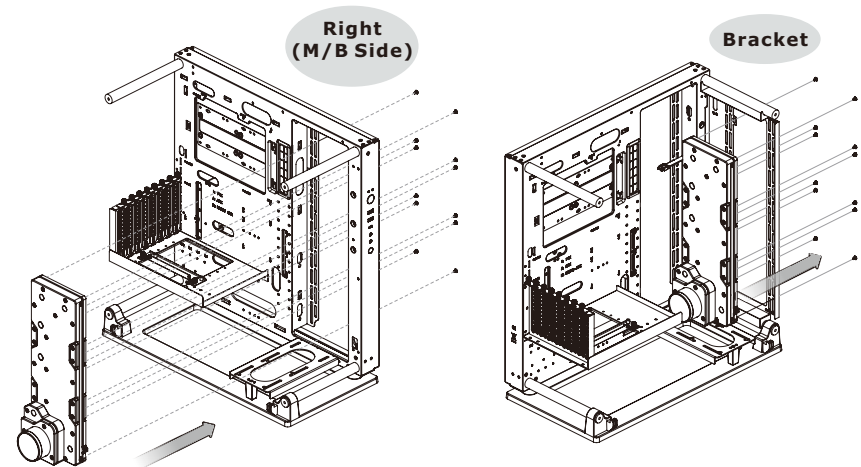


4

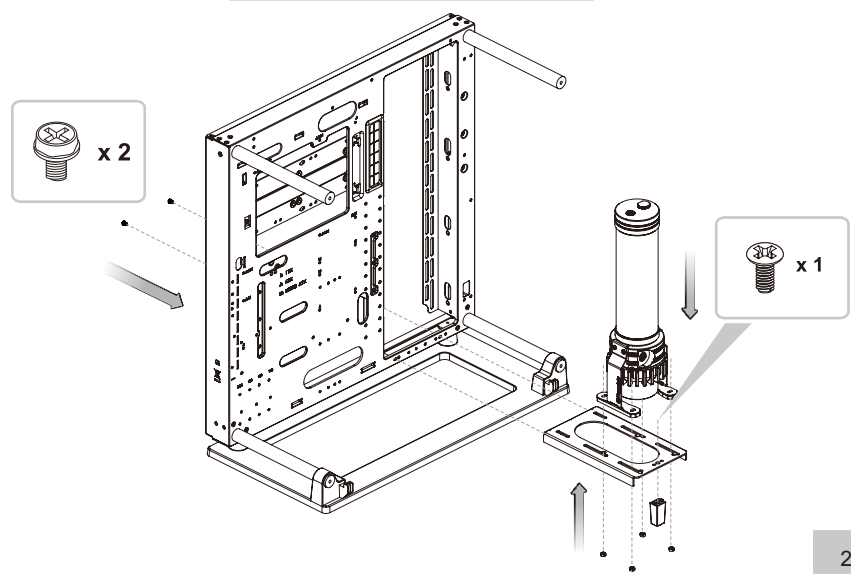




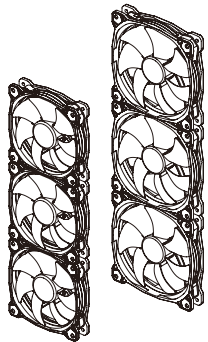
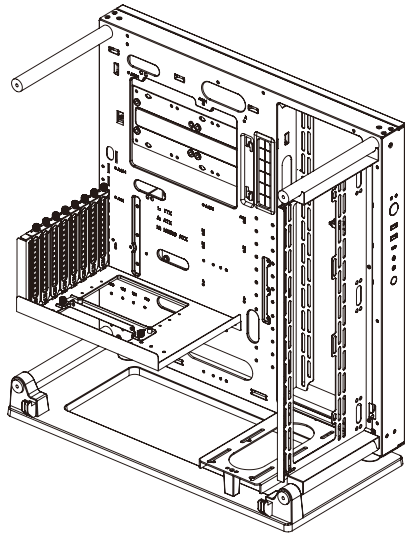
Pacific DP100-D5 Plus Distro-Plate



Pacific PR22-D5 Plus



Right (M/B Side)



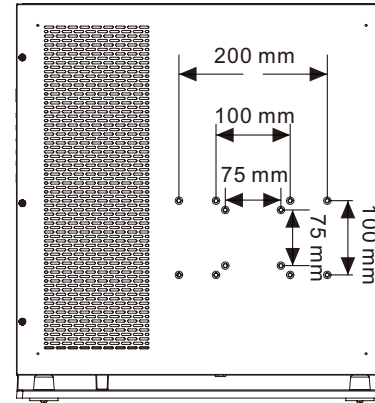
140mm x 3
or
120mm x 3

Bracket (Front or Top)

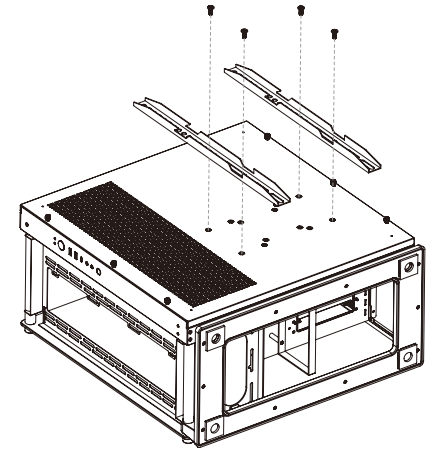


140mm x 3
or
120mm x 3

VESA Mount



Screws Hole : M6 x 1 pitch (Bracket is not included)



Chassis Installation - Horizontal

