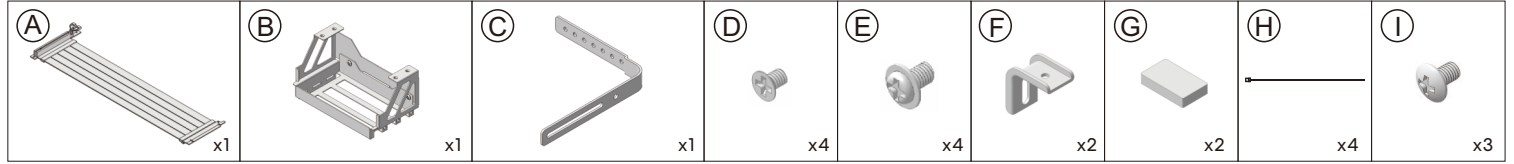


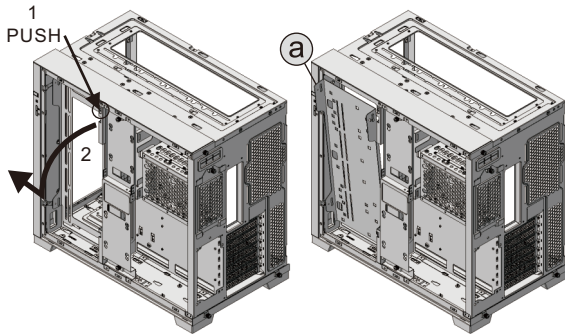
**Package contents / 包裝內容物**



**Installation / 安裝**

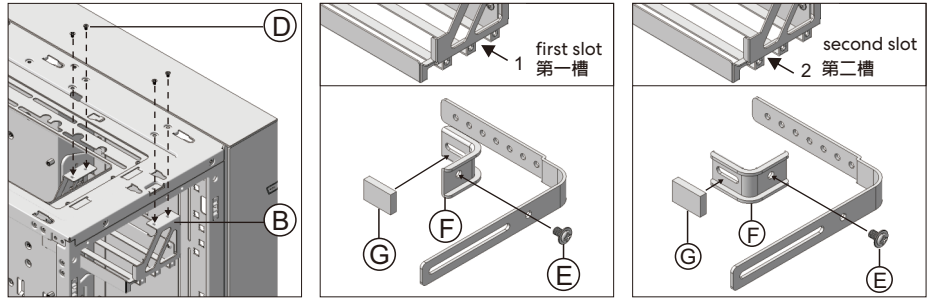
Remove the Side Fan Bracket.  
卸下側風扇支架。

Install the chassis included accessory - a  
安裝機殼附件-a。



Installation for GPU mount at the first slot.  
使用第一槽時的安裝方式。

Installation for GPU mount at the second slot (including for water cooling GPU).  
使用第二槽時的安裝方式 (含水道版顯卡請使用此安裝方式)。



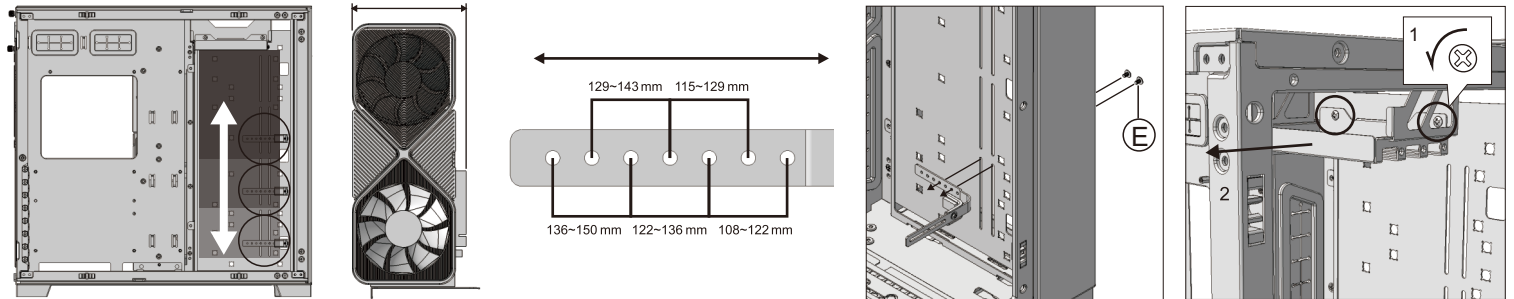
Height adjustable according to the GPU length and the power connection position.  
依安裝顯示卡長度與供電插槽位置, 調整安裝高低。

Graphics card width measurement.  
顯卡寬度量測示意。

Suggesting mounting holes depending on different GPU width.  
不同寬度顯卡, 建議安裝孔位。

Install the support frame on the HDD tray.  
安裝支撐架於硬碟架上。

Remove the graphics card mounting tray.  
卸下顯卡安裝托盤。



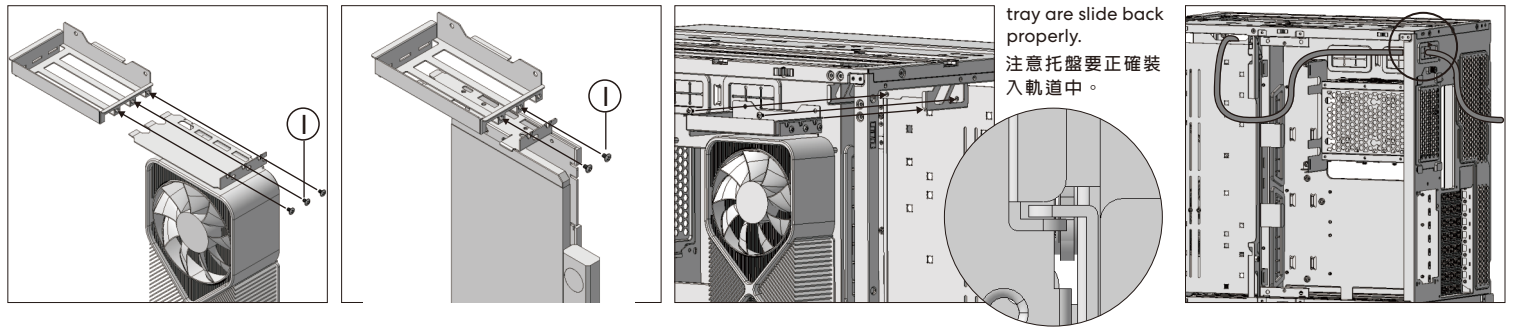
Install GPU on the tray and plug the output cable.  
安裝一般顯卡, 並接上顯卡輸出端線材。

Install water cooling GPU on the tray and plug the output cable.  
安裝水道版顯卡, 並接上顯卡輸出端線材。

Install the tray back.  
將托盤安裝回去。

**!** Make sure that the tray are slide back properly.  
注意托盤要正確裝入軌道中。

GPU output cable routing.  
顯卡輸出端線材走線位置。



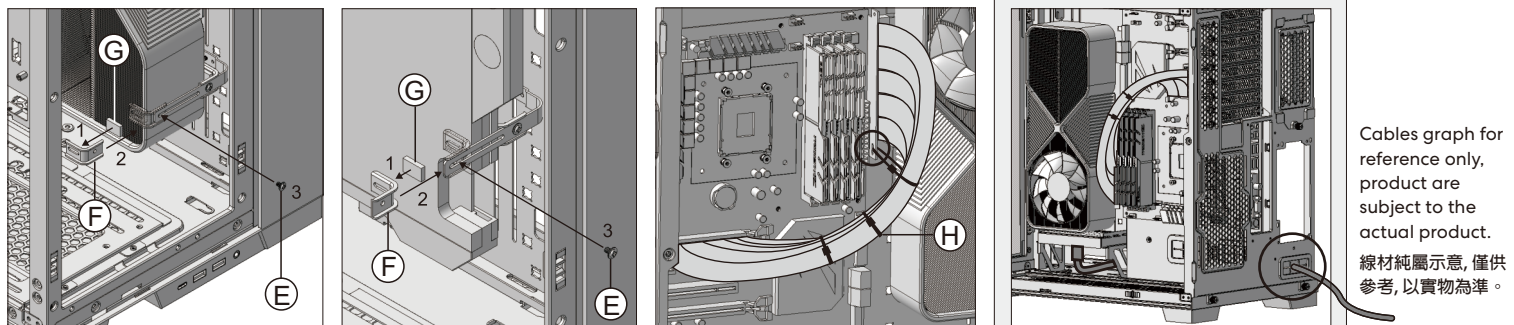
Adjust to hold the GPU perfectly and tighten the screw.  
將支架壓緊顯卡後鎖固。

The bracket can also be installed in reverse when using a thinner graphics card.  
使用較薄的顯卡也可將支架反向安裝。

Connect the riser cable to the M/B and the GPU, organize the riser cable with the cable tie.  
將PCIe排線扣上顯卡並安裝於主板端, 束帶穿過PCIe排線下方的破孔固定與整線。

**Reverse mode / 倒置模式**

GPU output cable routing.  
顯卡輸出端線材走線位置。



Cables graph for reference only, product are subject to the actual product.  
線材純屬示意, 僅供參考, 以實物為準。