



AZZA
ONE VISION. ONE MISSION



OPTIMA 803
INNOVATIVE TEMPERED GLASS GAMING CASE

USER MANUAL



www.azzatek.com

AZZA
ONE VISION. ONE MISSION

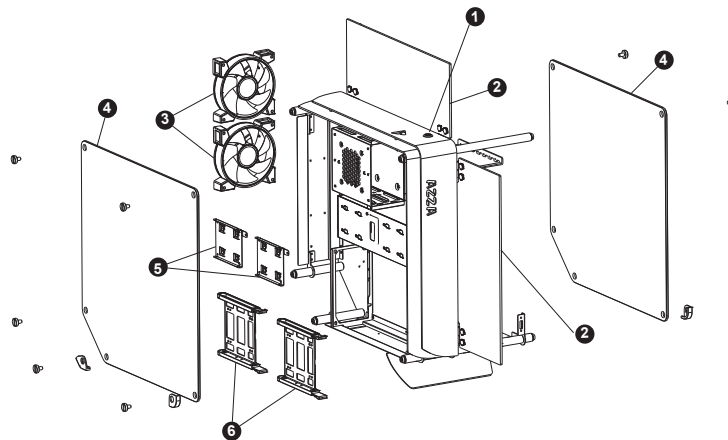
Installation Instructions

1. Specifications
2. Chassis Parts
3. PSU Installation
4. 2.5" HDD Installation
5. Cooling System Installation
6. View of Motherboard and Video card / Real-life preview of fully installed system.
7. AZZA Hurricane II Digital RGB Fan Installation For Motherboard
8. RF Remote

Specifications

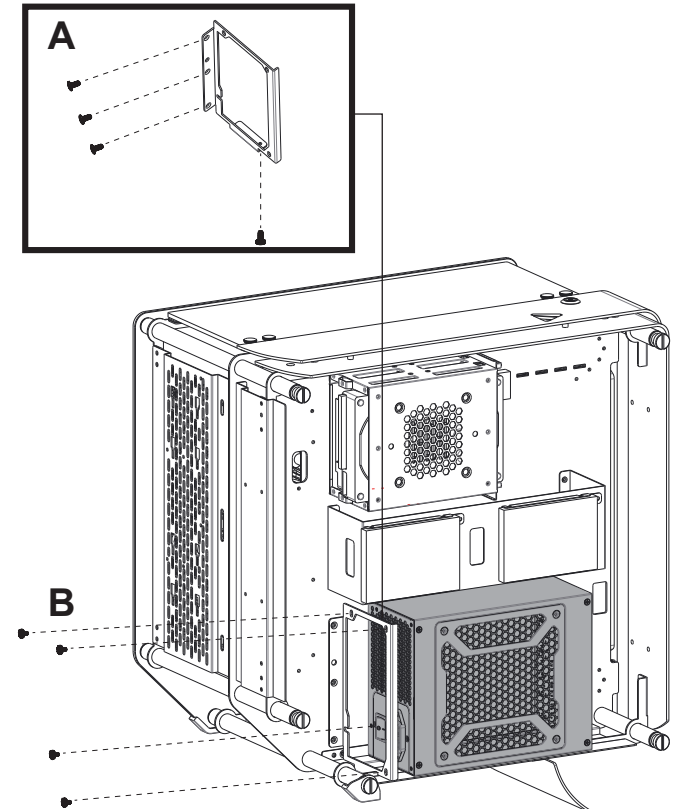
Model Name	Optima 803
Model Number	CSAZ-803
Specifications	
Type	ATX Mid Tower
Color	Black(exterior)/black(interior)
Side Panel Window	Left & Right Side of panel: Tempered Glass with rubber mounts Top & Front side of panel : Aluminum plate and Tempered Glass with rubber mounts
Max CPU Cooler Height	Up to 150mm
Max Video Card Length	Up to 320mm long Video card
Power Supply	Not Included
Motherboard Compatibility	ATX - Micro ATX - Mini ITX
Expansion	
External 5.25" Drive Bays	0
Internal 2.5" Drive Bays	Up to 6
Internal 3.5" Drive Bays	Up to 2
Expansion Slots	7
Top Ports	Power Button
Cooling System	
Digital RGB Light Effects	All Digital RGB light devices controlled by RF Remote Standard configuration has an RF connector and a remote controller. If the motherboard has the WS2812B Individually Addressable RGB LED strip 5V connector, Digital RGB light devices can be connected with motherboard instead of the RF connector.
Physical Specifications	
Metal Chassis Dimensions (HxWxD)	422 x 301 x 419 mm / 16.6 x 11.9 x 16.5 inches
Dimension with Case Stand(HxWxD)	480 x 301 x 492mm / 18.9 x 11.9 x 19.4 inches
Weight	11.3kg /25lbs
Features	
Tempered Glass on Four Sides Windows	High-quality tempered glass side window allows for clear visuals to inner components. Video card can be viewed from front.
Available Fan Ports	2x120mm fan ports in the rear (2xHurricane II Digital RGB Fan included) 2x120mm fan ports on the bottom
Water Cooling	Supports radiators up to 240mm in the bottom and rear.
Power Supply Support	Bottom mounted ATX Power Supply
Accessories	1xDigital RGB RF Remote 1x Designed Case Stand

Chassis Parts



1	Power Switch
2	Tempered glass top panel and front panel x2
3	Hurricane II Digital RGB fan x2
4	Tempered glass side panel x2
5	2.5" SSD brackets x2
6	3.5" HDD brackets x2

PSU Installation



A. Remove the PSU plate from the case.

B.Lock PSU plate and PSU together, then assemble the PSU on the case.