

LIQMAX III

RGB VERSION



ELC-LMT120-RGB



 **ENERMAX**
POWER. INNOVATION. DESIGN.
www.enermax.com

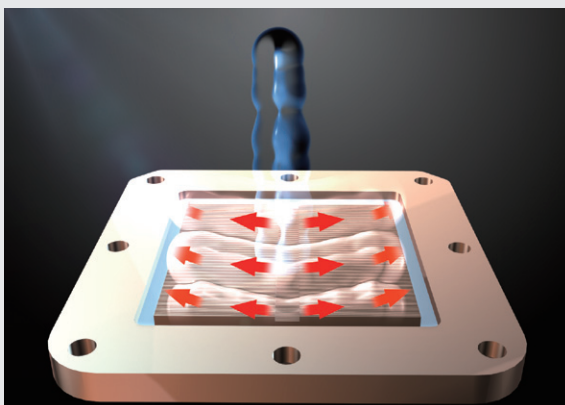
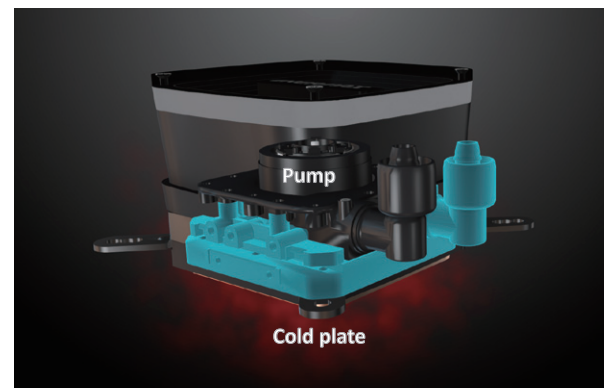
- ▶ **Patented Dual Chamber water block design**
- ▶ **Patented Shunt Channel Technology**
- ▶ **Aurabelt™ design on water block and luminous fan display vivid RGB lighting effects**
- ▶ **Exclusive dual-convex blade can create high-volume air flow (72.1 CFM)**



LIQMAX III RGB, a RGB AIO cooler for Intel® and AMD® CPU platforms, is characterized by vivid RGB LED lighting. Aurabelt™ design on water block and hub-lighting RGB fan are designed to synchronize with RGB-ready motherboards (4 pin assignment: +12V/G/R/B). The Patented Dual Chamber Design inside water block has a Central Coolant Inlet (CCI) structure, combined with the Shunt-Channel Technology (SCT) on the cold plate, it is able to inject the coolant at the hottest spot to prevent heat surges and shorten the coolant flow path, resulting in faster heat transfer. In addition, the dual-convex blade fan is able to generate down force air pressure and high-volume air flow to provide superior cooling performance. LIQMAX III RGB cooler is an ideal choice for mainstream water-cooler RGB gaming rigs.

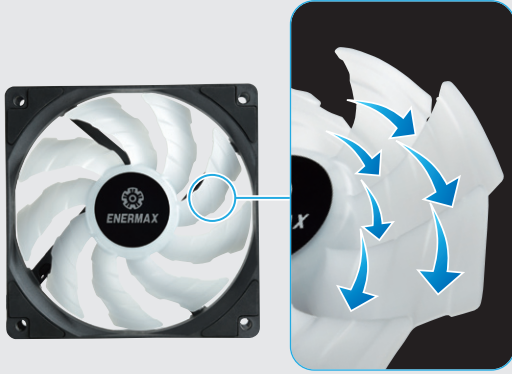
Features

- ▶ **Patented Dual-Chamber Design water block**
Patented Dual-Chamber Design isolates the pump from the heat to prolong the cooler's lifetime



- ▶ **Central Coolant Inlet (CCI) design and patented Shunt-Channel Technology (SCT)**
Patented Dual Chamber Design water block has a Central Coolant Inlet (CCI) structure, combined with the Shunt-Channel Technology (SCT) on the cold plate, it is able to inject the coolant at the hottest spot to prevent heat surges and shorten the coolant flow path, resulting in faster heat transfer

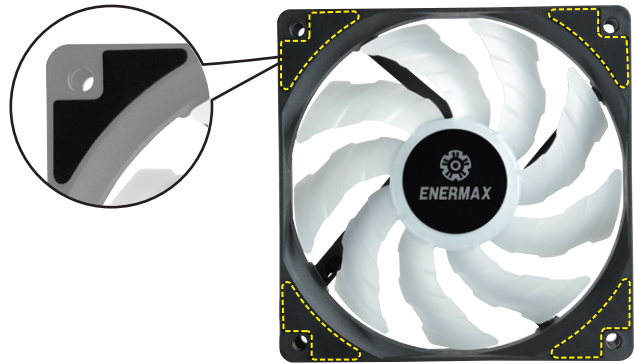
▼ Aurabelt™ design on water block and hub-lighting RGB fan display vivid RGB lighting effects



▼ Exclusive dual-convex blades

Exclusive dual-convex blade creates down force air pressure (max. 1.98mmH₂O) and high-volume air flow (max. 72.1CFM).

▼ Anti-vibration rubber pads minimize noise during operation



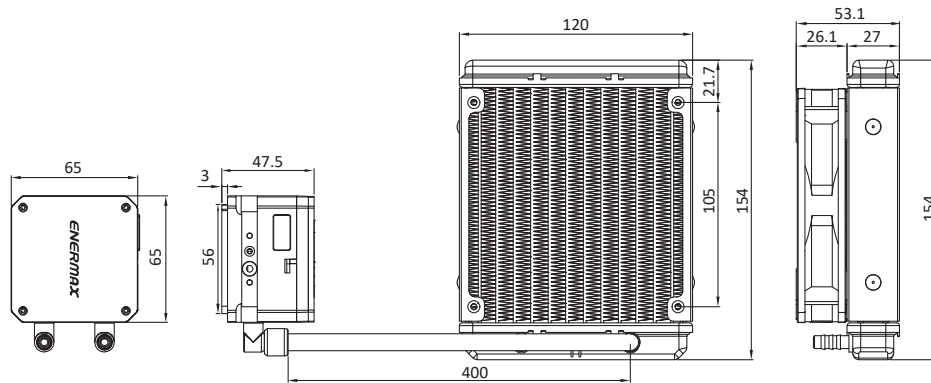
▼ Premium 400mm woven tubing is perfect for mainstream system builds

▼ Universal Intel® and AMD® CPU cooler with quick-and-easy mounting system (Excluding TR4/ SP3 socket)



Dimensions

unit:mm



Specifications

Model Number		ELC-LMT120-RGB
CPU Socket		Intel® LGA 2066/2011-3/2011/1366/1156/1155/1151/1150 AMD® AM4/AM3+/AM3/AM2+/AM2/FM2+/FM2/FM1
Material		Copper Base with Aluminum Radiator
Pump	Bearing	Ceramic Bearing
	MTBF	50,000 hrs
	Motor Speed	3100 RPM ± 10%
	Rated Voltage	12 V
Water Block	Rated Current - Pump	0.4 A [or 0.49A if not connected to 4 pin RGB connector(12V/G/R/B)]
	Rated Current - RGB LED	0.18 A
Tube	Material	Rubber
	Length	400 mm
Weight (W/O fan)		690 g
Fan	Dimension	120 x 120 x 25 mm
	MTTF	50,000 hrs
	Speed	500~1600 RPM
	Rated Voltage	12 V
	Rated Current - Fan	0.17 A
	Rated Current - RGB LED	0.36 A
	Air Flow	22.5~72.1 CFM
	Static Pressure	0.2~1.98 mm-H2O
	Noise Level	14~27 dBA
Connector		4 pin PWM connector 4 pin RGB connector (12V/G/R/B)
Thermal Grease		Dow Corning® TC-5121C
Warranty		2 years
Shipping information		
Barcode	EAN	4713157724250
	UPC	819315024256
Box Dimension		254 x 215 x 137 mm
Gross Weight / unit		1.442 kgs
Carton Dimension		539 x 300 x 460 mm
Q'ty / carton		8 pcs
Gross Weight / Carton		12.768 kgs

Note: A RGB motherboard with 12V header is needed to provide full lighting capability. In stand-alone mode, only the water block is illuminated white.