

RJ45 Crossover Adapter

Art no.: NP0059

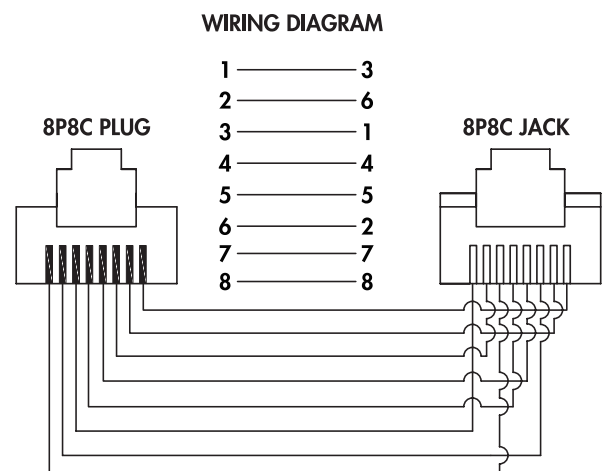
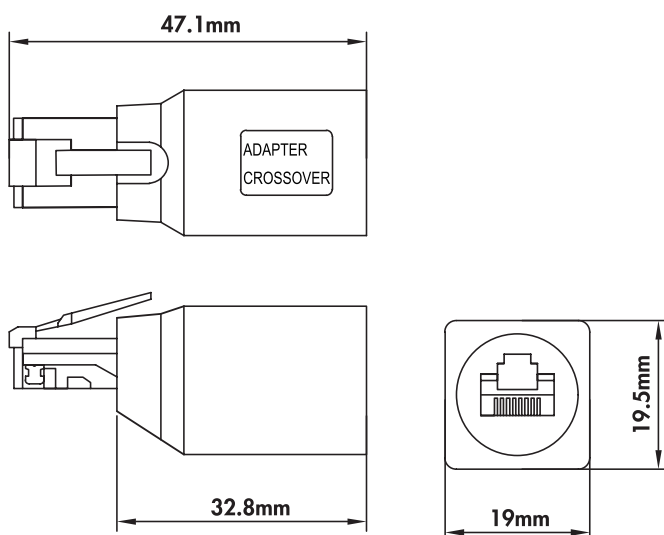
Technical Features

RJ45 plug to RJ45 jack

Crossover pin out

Color: RAL3028 Red

Technical Drawing



NP0059



4 052792 057270

Made in China

www.logilink.com



RoHS
compliant

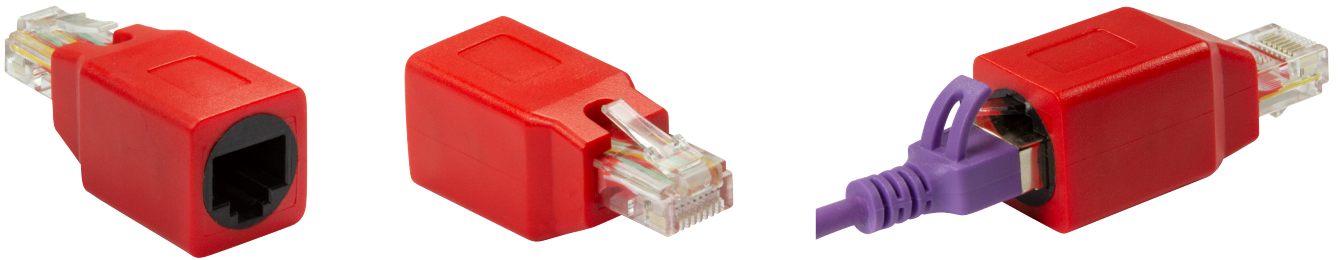
*The specifications and pictures are subject to change without prior notice.
*All trade names referenced are the registered trademarks of their respective owners.

Package Content

RJ45 Crossover Adapter x 1

Packaging Information

Packing Dimension	80 x 100mm
Packing Weight	0.009kg
Carton Dimension	400 x 300 x 400mm
Carton Q'ty	500pcs
Carton Weight	8.5kg



NP0059



4 052792 057270

Made in China

www.logilink.com



*The specifications and pictures are subject to change without prior notice.
*All trade names referenced are the registered trademarks of their respective owners.