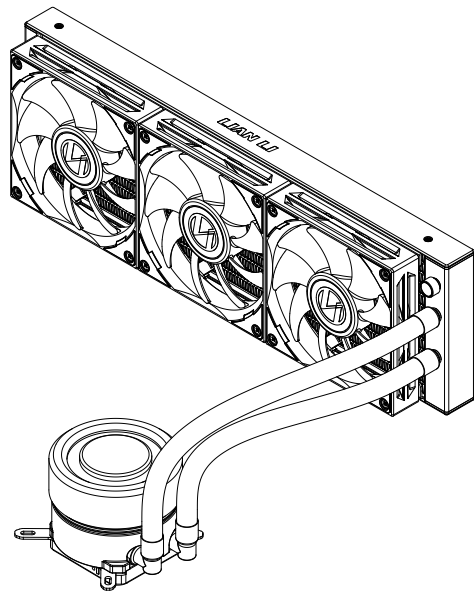


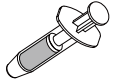



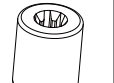
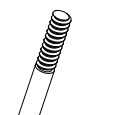
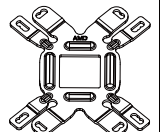



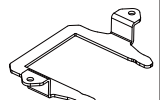





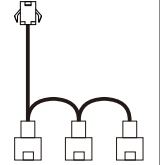
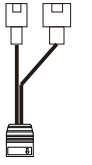
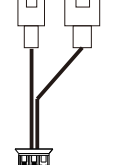



Galahad AIO 240 / 360



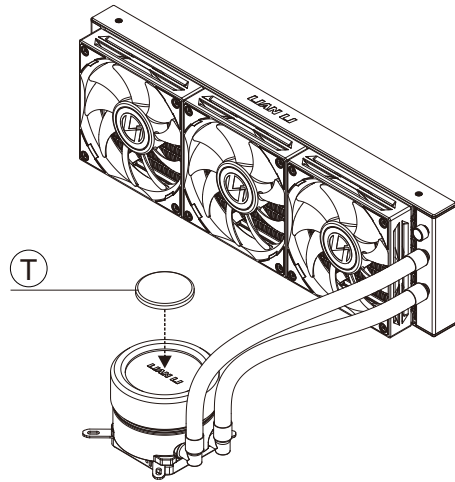
INSTALLATION GUIDE
安裝指南

Hardware List 零件盒部品一覽表

<p>(A)</p>  <p>X1</p>	<p>(B)</p>  <p>240X8 360X12</p>	<p>(C)</p>  <p>240X8 360X12</p>	<p>(D)</p>  <p>X4</p>	<p>(E)</p>  <p>X4</p>	<p>(F)</p>  <p>X4</p>
<p>(G)</p>  <p>X1</p>	<p>(H)</p>  <p>X4</p>	<p>(I)</p>  <p>X4</p>	<p>(J)</p>  <p>X2</p>	<p>(K)</p>  <p>X1</p>	<p>(L)</p>  <p>X1</p>
<p>(M)</p>  <p>240X1</p>	<p>(N)</p>  <p>360X1</p>	<p>(O)</p>  <p>X1</p>	<p>(P)</p>  <p>X1</p>	<p>(Q)</p>  <p>X1</p>	<p>(R)</p>  <p>X1</p>
<p>(S)</p>  <p>X1</p>	<p>(T)</p>  <p>X1</p>				

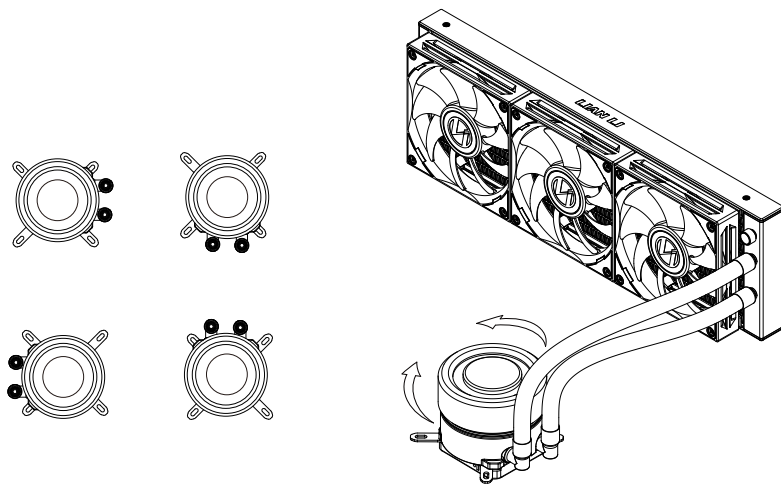
Cover installation

蓋子安裝



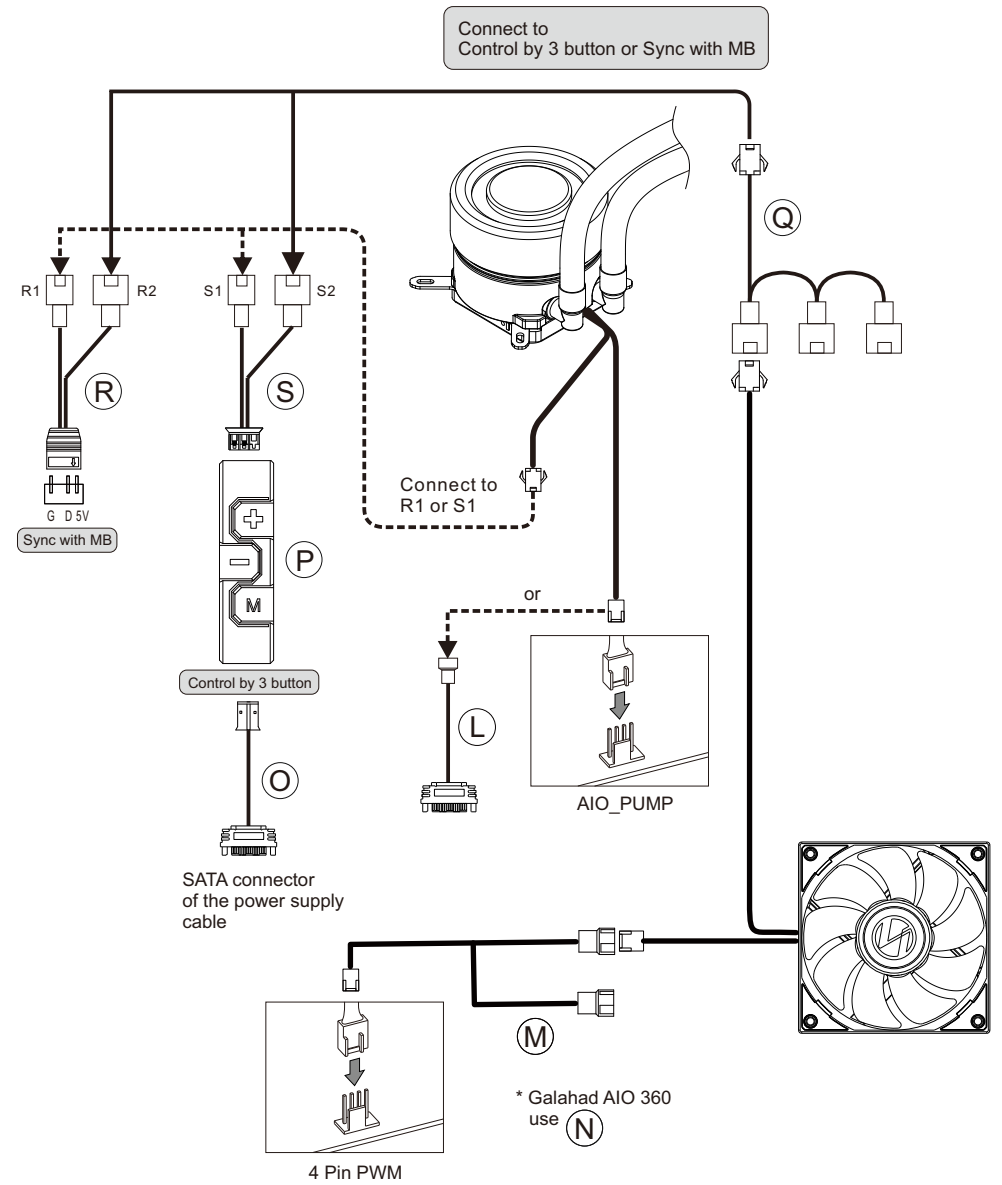
Rotating water cooling head

可轉動水冷頭

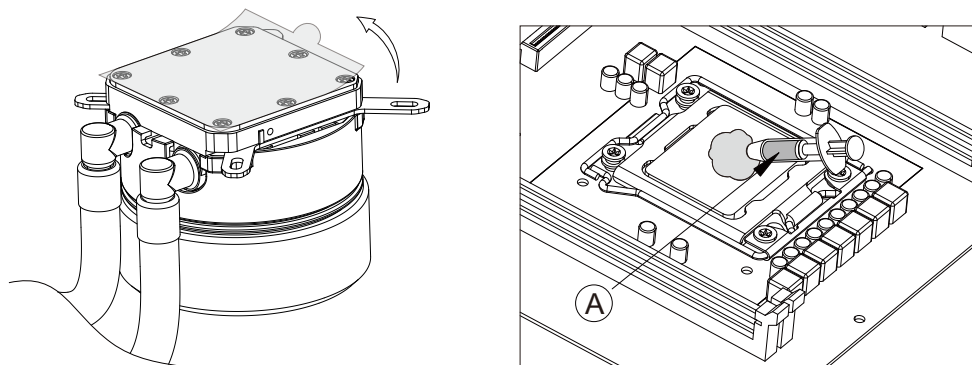


Cable Connection Guide

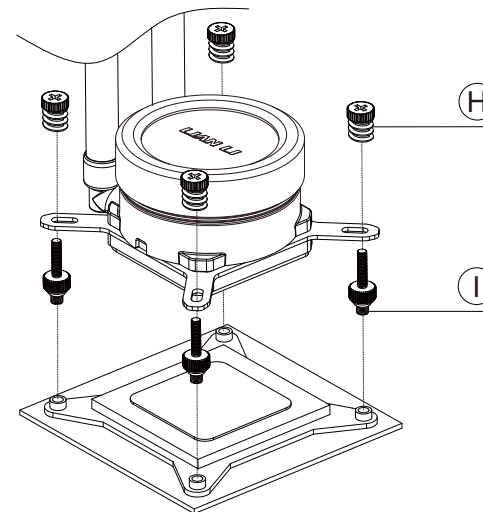
接線指南



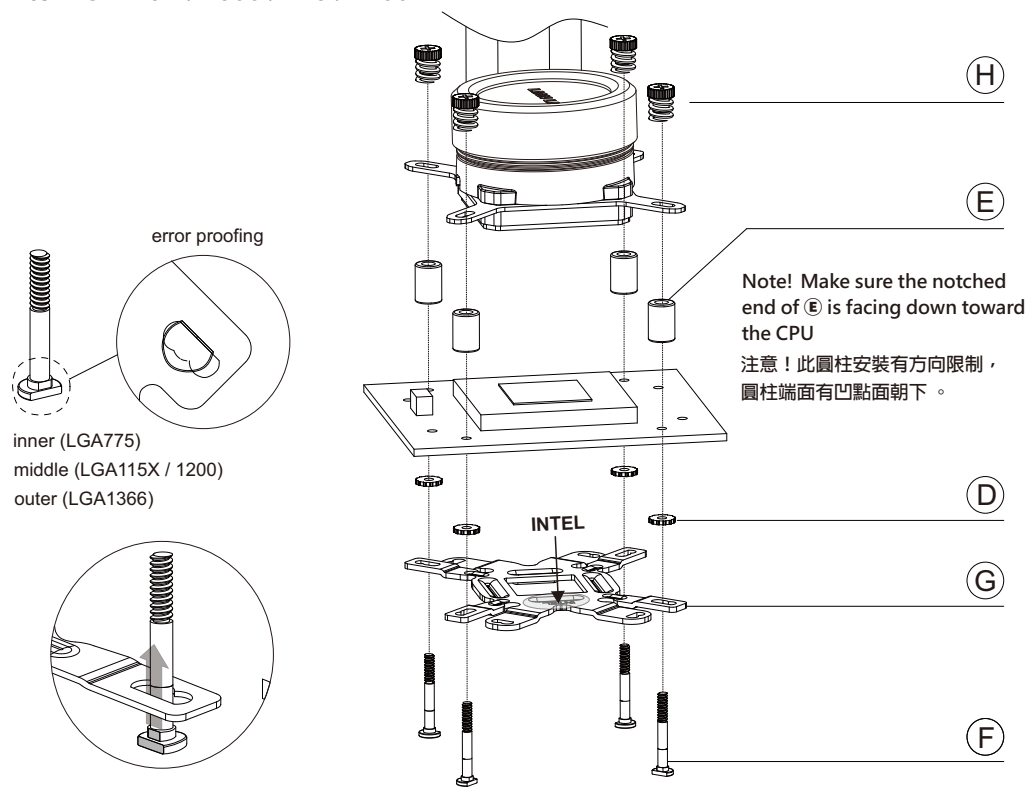
Intel / AMD



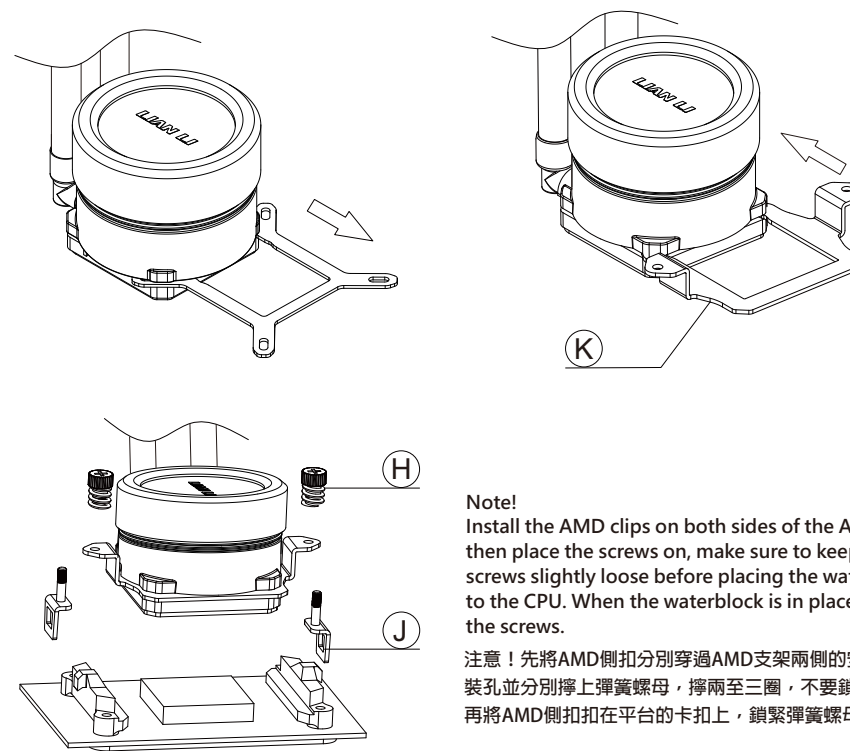
Intel 2011 / 2066



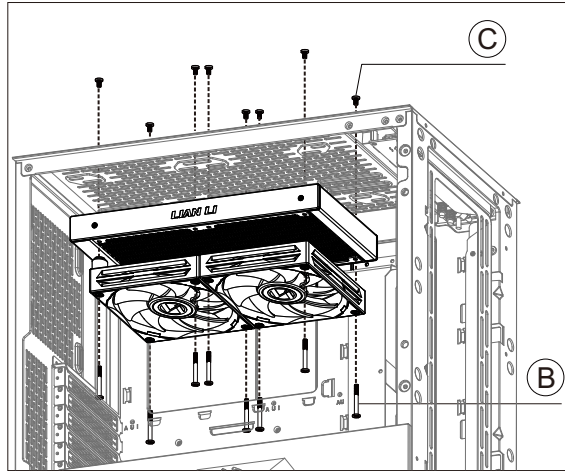
Intel LGA115X / 1366 / 775 / 1200



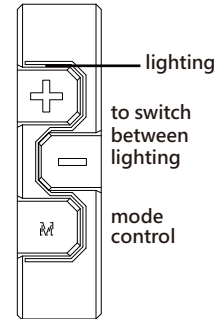
AMD AM4



Intel / AMD Galahad AIO 240 Installation



Button Function
按鍵功能



Lighting Mode:

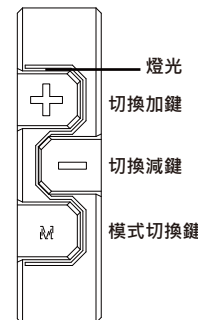
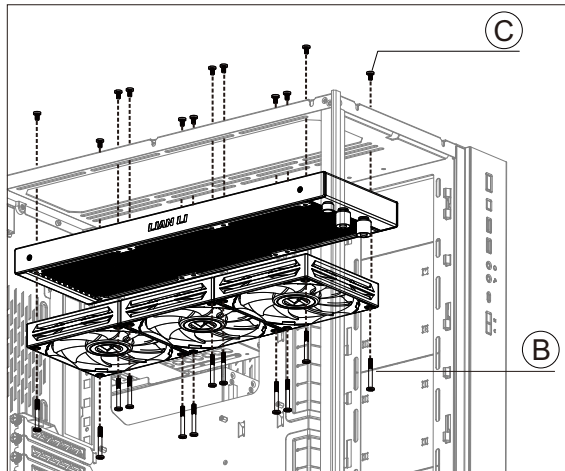
1	rainbow	10	blue overlapping
2	rainbow + breath	11	red
3	rainbow + twinkle	12	orange
4	overlapping	13	yellow
5	rainbow wave	14	green
6	256 color (press + for 5 secs to set up the 3s colors; press + for 5 secs to cancel the setting)	15	blue
7	rainbow radar	16	purple
8	red overlapping	17	white
9	green overlapping		

Button:

Press M to adjust the LED indicator to further control lighting mode, speed, or brightness.

1. If the LED indicator is green, press + and/or - to adjust lighting effects.
2. If the LED indicator is red, press + and/or - to adjust speed.
3. If the LED indicator is blue, press + and/or - to adjust brightness.
4. If the LED indicator is yellow, the lighting effect is on auto-mode, thus + and - are unfunctional.

Intel / AMD Galahad AIO 360 Installation



燈效模式定義:

1	炫彩全亮跑馬	10	藍色疊加
2	炫彩全亮呼吸	11	LED恆亮紅光
3	炫彩全亮閃爍	12	LED恆亮橙光
4	底色疊加(白、青、紫、黃、藍、紅、綠、橙)	13	LED恆亮黃光
5	炫彩飄動	14	LED恆亮綠光
6	256變色(長按"+" 3S定色·再長按"+" 3S解除定色)	15	LED恆亮藍光
7	炫彩雷達	16	LED恆亮紫光
8	紅色疊加	17	LED恆亮白光
9	綠色疊加		

按鍵操作:

1. 按"模式切換"鍵, 如指示燈亮綠燈, 此時按"切換加鍵"按照如上表格順序1-10-1依次運行; 此時按"切換減鍵"按照如上表格順序10-1-10依次運行。
2. 按"模式切換"鍵, 如指示燈亮紅燈, 此時按"切換加鍵"增快燈速, 此時按"切換減鍵"減慢燈速, 不支持循環。
3. 按"模式切換"鍵, 如指示燈亮藍燈, 此時按"切換加鍵"增加亮度, 此時按"切換減鍵"減小亮度, 不支持循環。
4. 按"模式切換"鍵, 如指示燈亮黃燈, 此時從當下的模式開始依照表格順序依次循環運行。此模式下切換鍵不具備功能。