



# AZZA BLIZZARD PRO

## Cpu Liquid Cooler

# 240mm / 360mm

LCAZ-240R-ARGB PRO / LCAZ-360R-ARGB PRO

# USER MANUAL

2023-05 Version

### SPECIFICATIONS

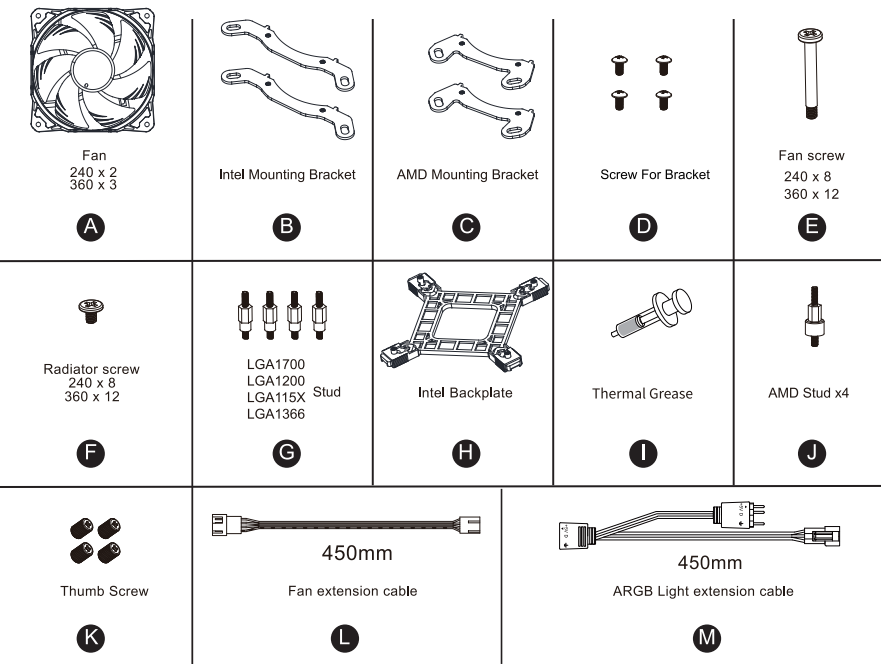
Model Name	AZZA BLIZZARD PRO 240	
Model No.	LCAZ-240R-ARGB PRO	
Fan	Dimensions	120 x 120 x 25mm
	Speed	500-2000 rpm±10%
	Bearing Type	Hydro Bearing
	Airflow	57.5CFM
	Air Pressure	1.8mmH2O
	Noise	34 dB (A)
	Lifespan	20000 hours at 25°C
	ARGB Connector	SM2,54-3Pin(Female) to SM2,54-3Pin(Male)
Radiator	Power Connector	2510-4Pin(Female) to 2510-4Pin(Male)
	Dimensions	274x121x27mm
	Material	Aluminum alloy

Pump	Dimensions	71,5x82,3x52,3mm
	Connector	2510-3Pin ( PUMP ) / ADD_HEADER ( Lights )
	Bearing type	Copper alloy powder metallurgy
	Speed	2700rpm±10%
	Water Pressure	1.3 mH <sub>2</sub> O
	Flow rate	88.3 L/h
	Motor Type	3-Phases brushless DC motor
	Lifespan	50000 H
Tube	Noise	≤ 25 dB (A)
	Dimensions	400 mm
Socket Compatibility	Material	EPDM+Rayon mesh
	Intel Socket	LGA115X/LGA1366/LGA1200/LGA1700/LGA1851
	AMD Socket	AM5/AM4/AM3+/AM3/AM2+/AM2/FM2+/FM2/FM1

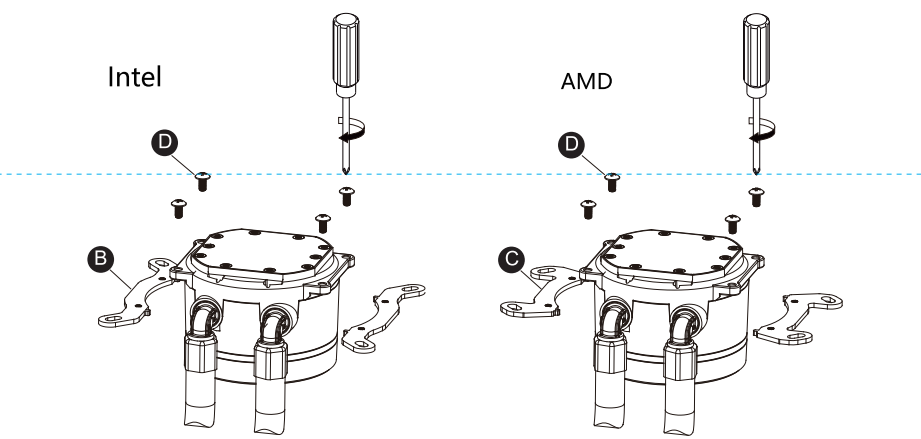
Model Name	AZZA BLIZZARD PRO 360	
Model No.	LCAZ-360R-ARGB PRO	
Fan	Dimensions	120 x 120 x 25mm
	Speed	500-2000 rpm±10%
	Bearing Type	Hydro Bearing
	Airflow	57.5CFM
	Air Pressure	1.8mmH2O
	Noise	34 dB (A)
	Lifespan	20000 hours at 25°C
	ARGB Connector	SM2,54-3Pin(Female) to SM2,54-3Pin(Male)
Radiator	Power Connector	2510-4Pin(Female) to 2510-4Pin(Male)
	Dimensions	394x121x27mm
	Material	Aluminum alloy

Pump	Dimensions	71,5x82,3x52,3mm
	Connector	2510-3Pin ( PUMP ) / ADD_HEADER ( Lights )
	Bearing type	Copper alloy powder metallurgy
	Speed	2700rpm±10%
	Water Pressure	1.3 mH <sub>2</sub> O
	Flow rate	88.3 L/h
	Motor Type	3-Phases brushless DC motor
	Lifespan	50000 H
Tube	Noise	≤ 25 dB (A)
	Dimensions	400 mm
Socket Compatibility	Material	EPDM+Rayon mesh
	Intel Socket	LGA115X/LGA1366/LGA1200/LGA1700/LGA1851
	AMD Socket	AM5/AM4/AM3+/AM3/AM2+/AM2/FM2+/FM2/FM1

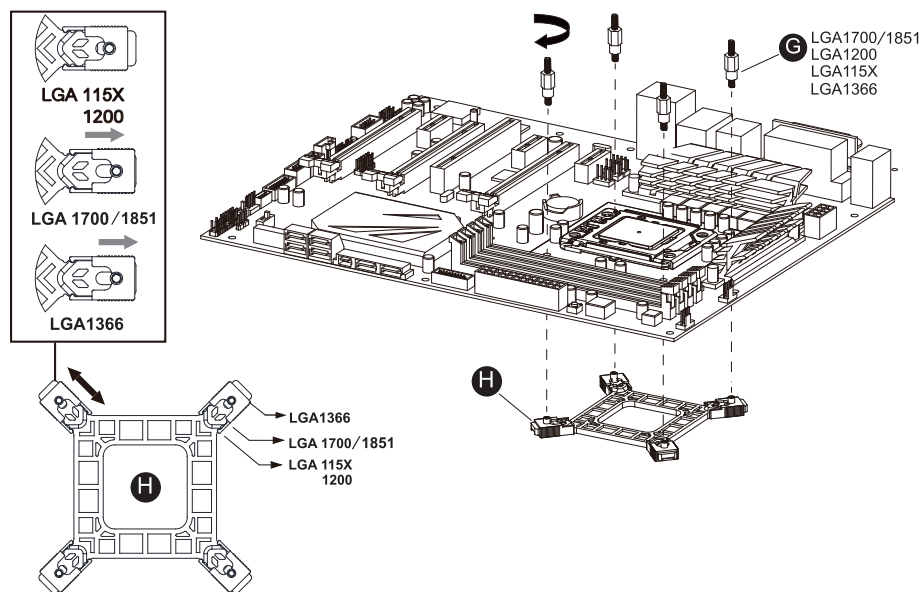
### INSTALL CONTENTS



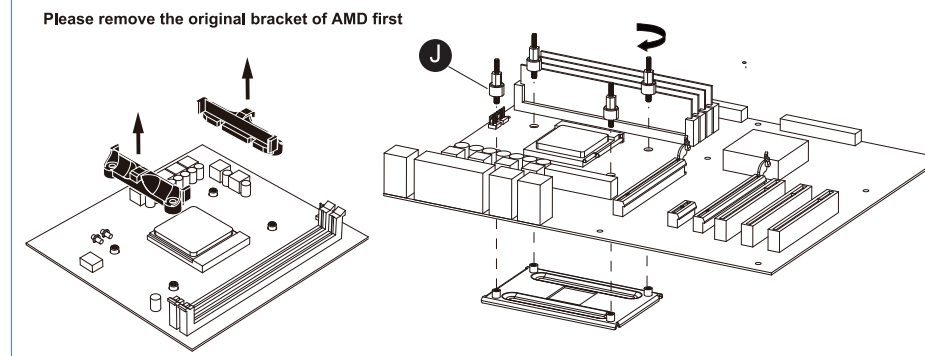
### PREPARATION



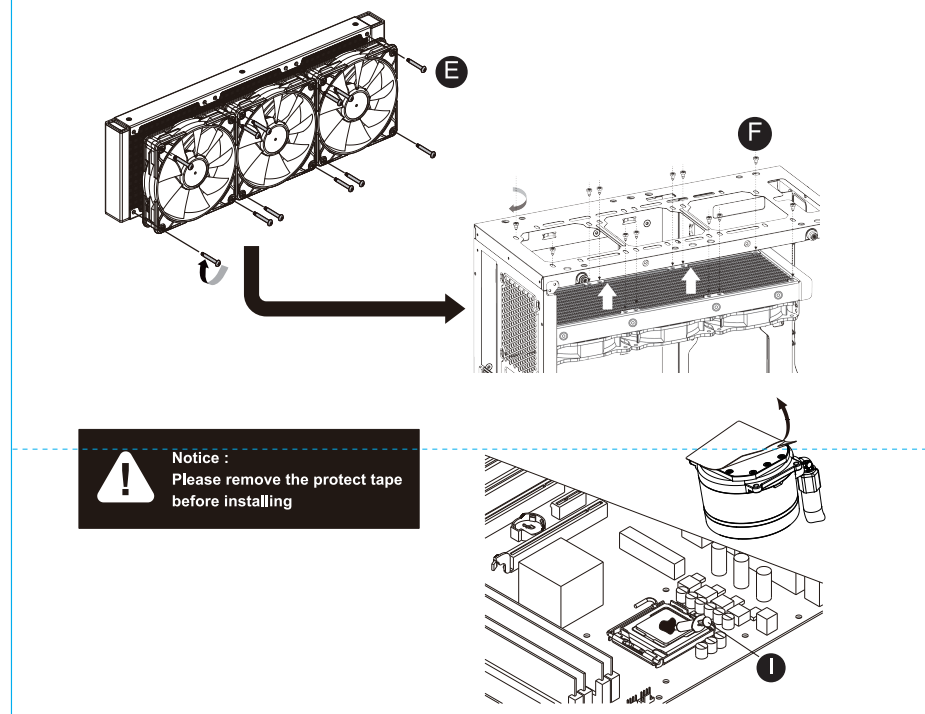
### Intel LGA1700 / 1851 / 115X / LGA1200 / LGA1366



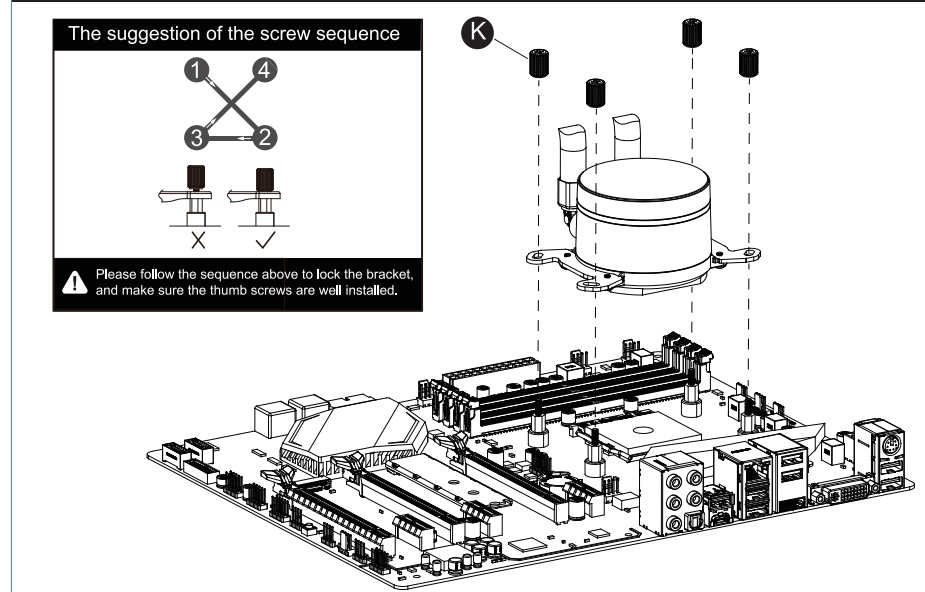
### AMD AM5/AM4/AM3+/AM3/AM2+/AM2/FM2+/FM2/FM1



### INSTALLATION



### AMD AM5/AM4/AM3+/AM3/AM2+/AM2/FM2+/FM2/FM1



### Intel LGA1700 / 115X / LGA1200 / LGA1366

