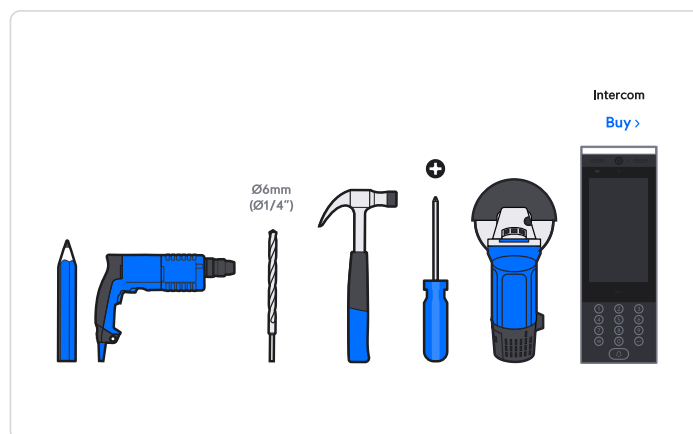
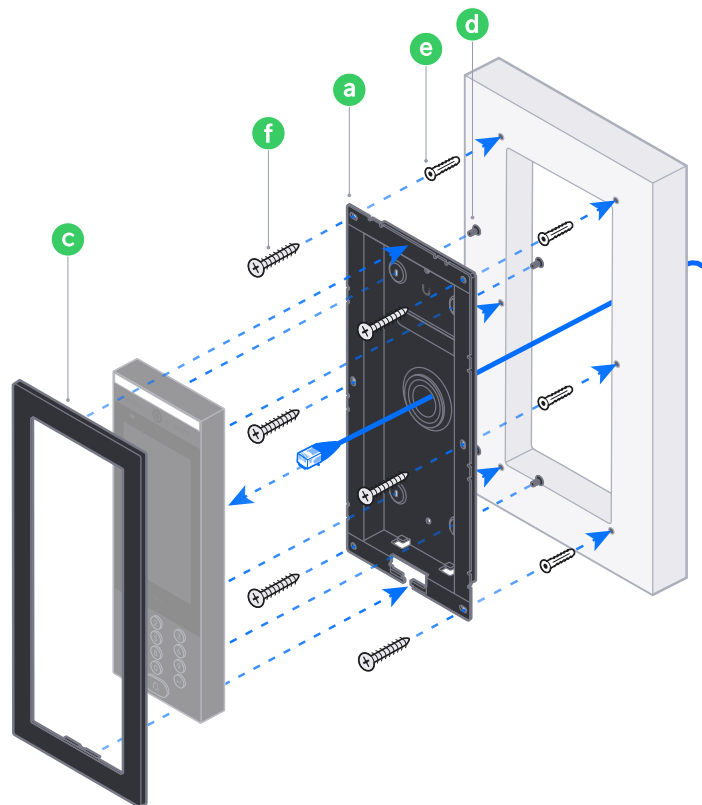
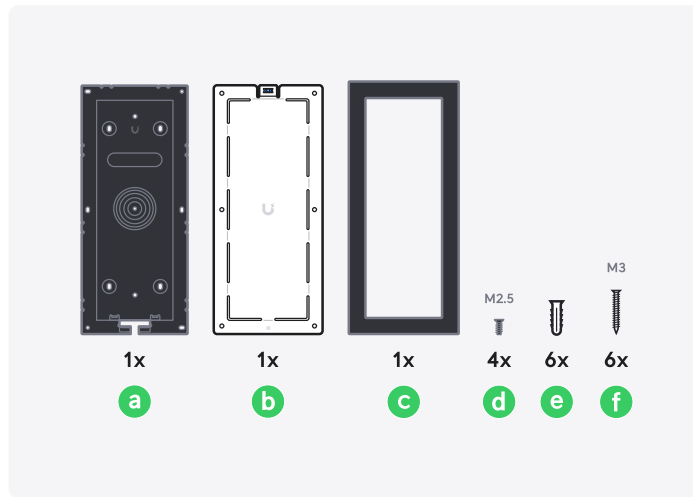
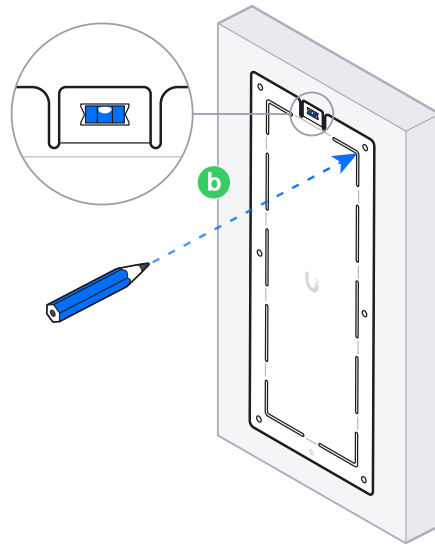
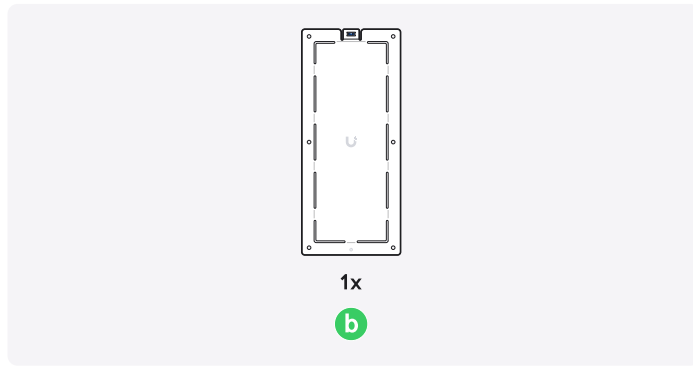




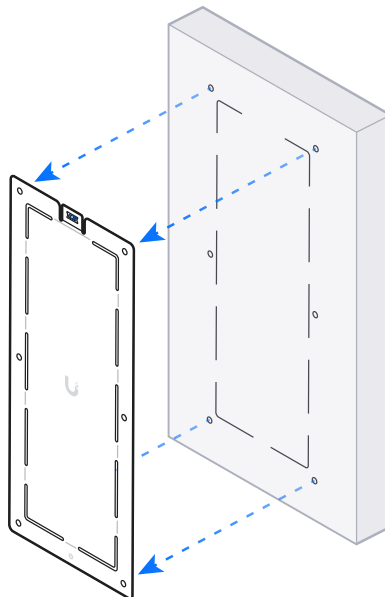
Access Intercom Flush Mount



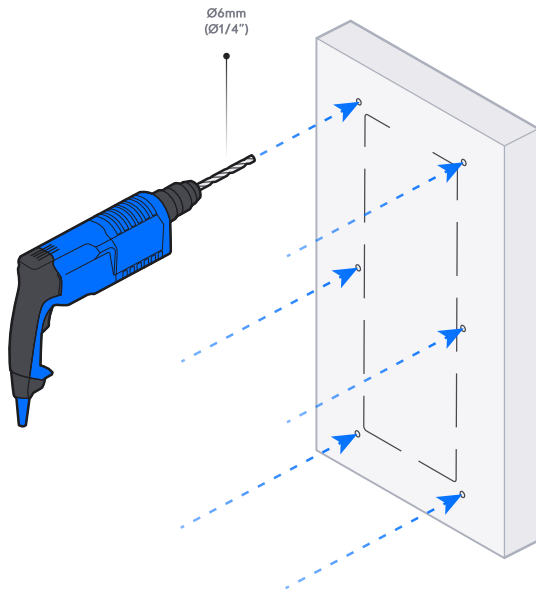
1



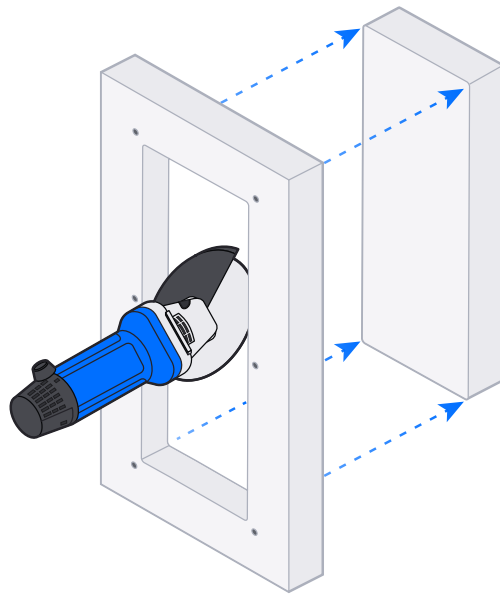
2



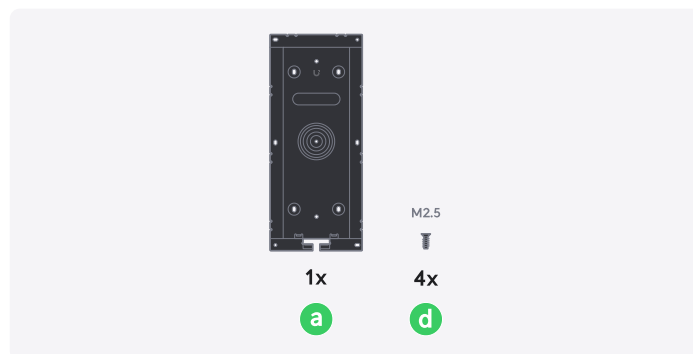
3

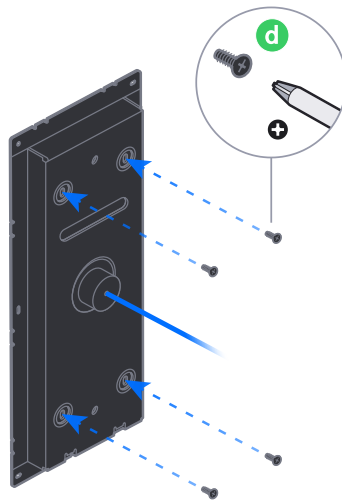
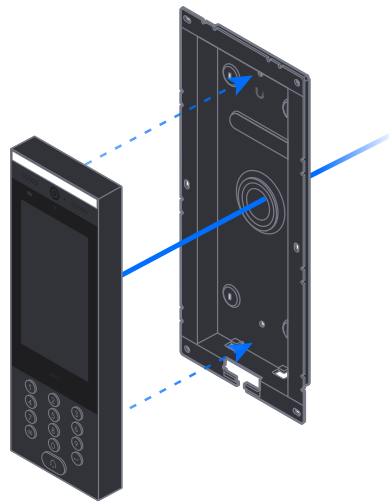
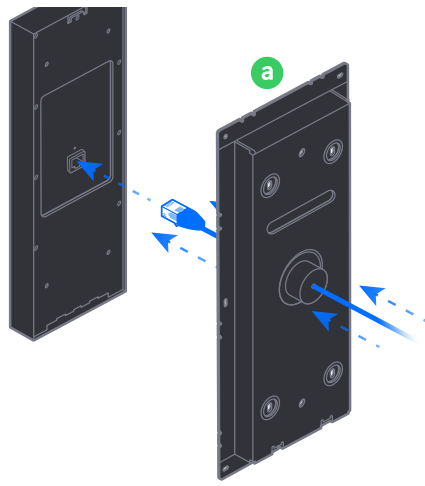


4

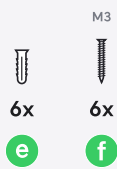


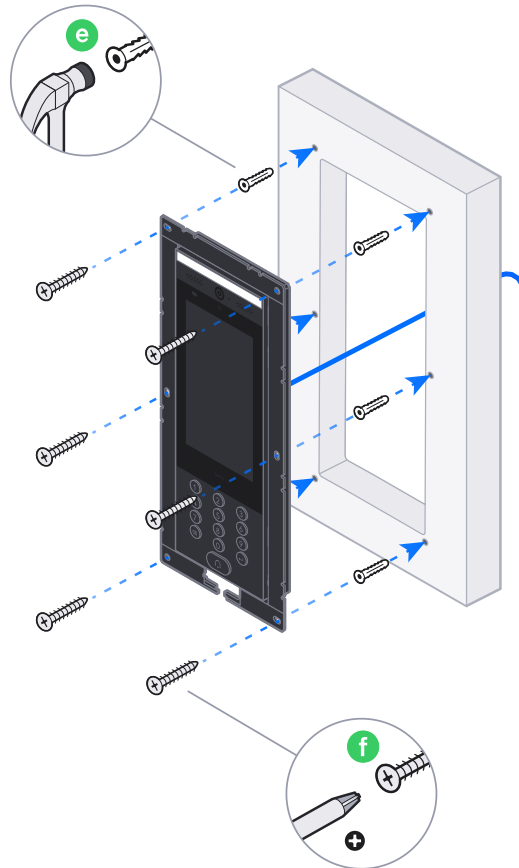
5



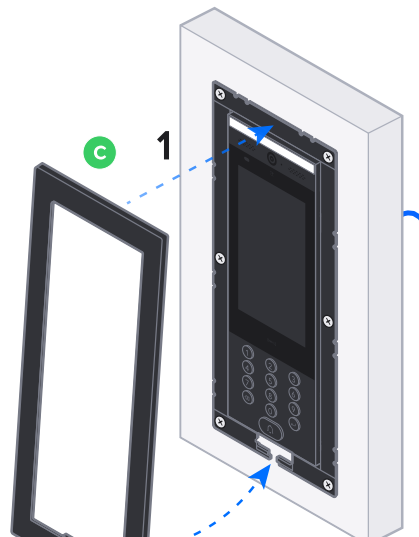
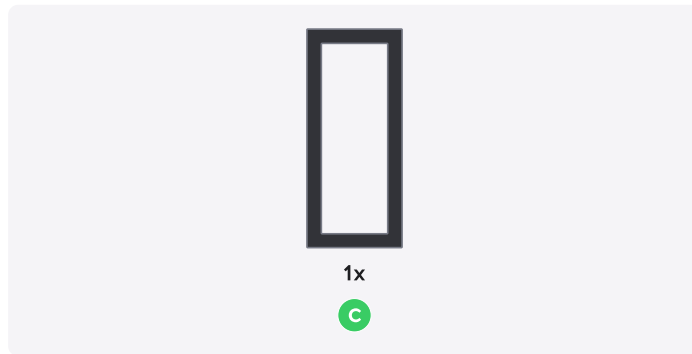


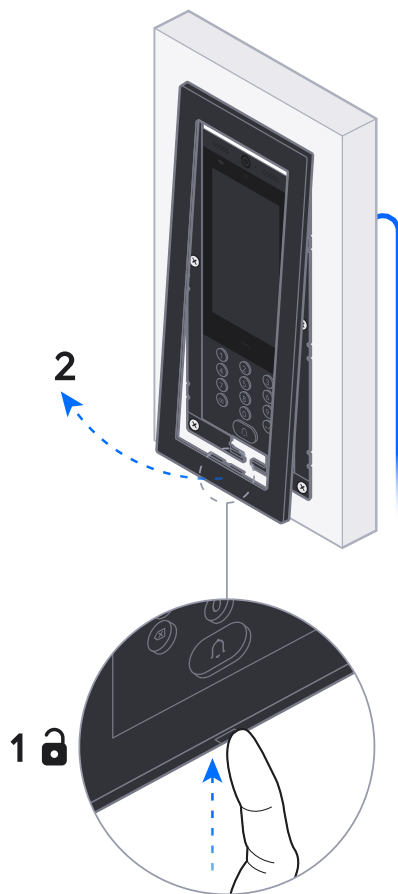
6





7





If you need further assistance, visit our [Help Center](#) or contact [Ubiquiti Support](#).